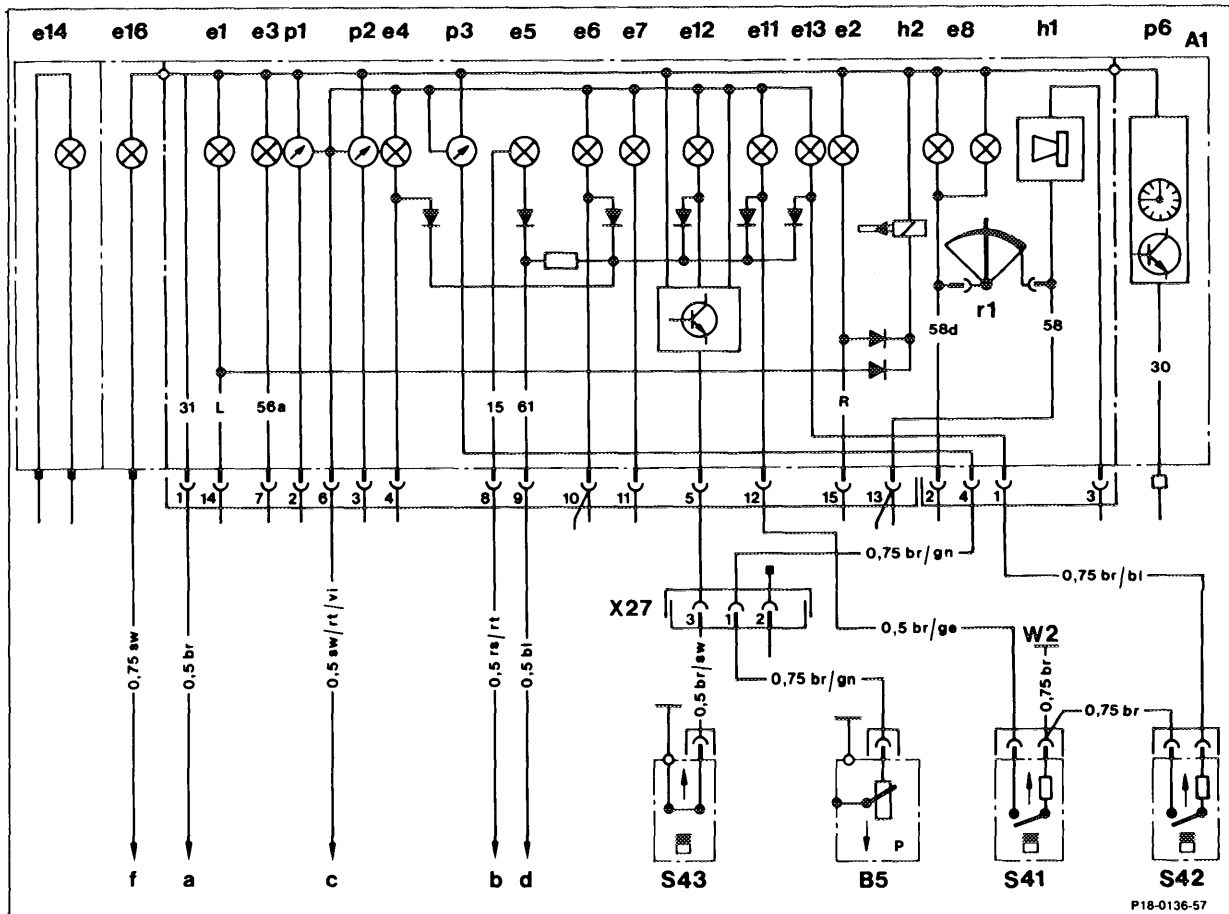


## 20-440 Testing coolant level indicator

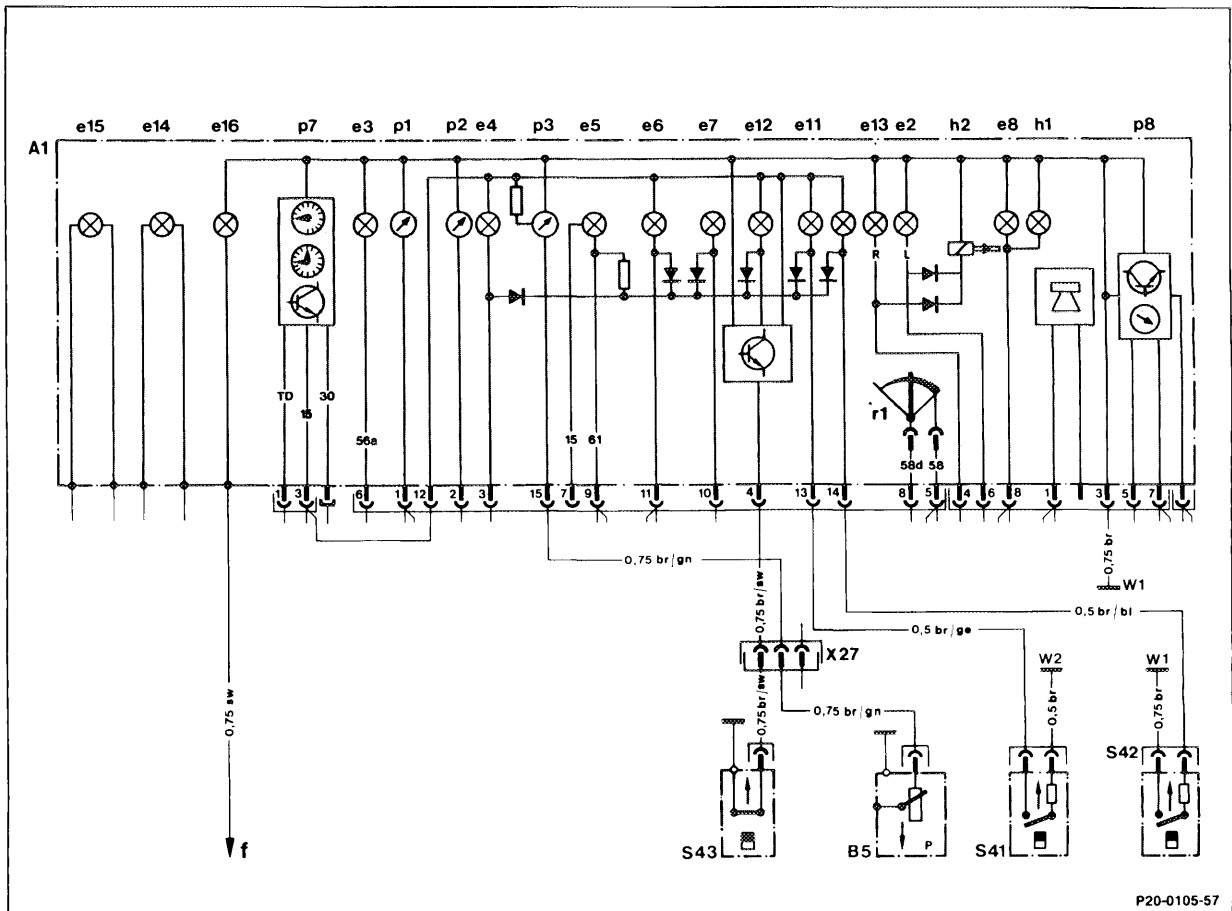
### Model 124



Wiring diagram of engine oil level indicator, coolant level indicator, windshield washer level indicator

A1	Instrument cluster	B5	Oil pressure sensor
e1	Left turn signal indicator	S41	Coolant level indicator lamp switch
e2	Right turn signal indicator	S42	Windshield washer level indicator lamp switch
e3	High beam indicator	S43	Oil level indicator lamp switch
e4	Fuel reserve warning lamp	W2	Ground, front right next to lamp unit
e5	Battery charge indicator	X27	Plug connector, starter harness
e6	Brake pad wear indicator lamp	a	Main ground behind instrument cluster W1
e7	Brake fluid and parking brake indicator lamp	b	Fuse 7 terminal 15
e8	Instrument lighting	c	Fuse 5 terminal 15
e11	Coolant level indicator lamp	d	Lamp monitor unit
e12	Oil level indicator lamp	f	Preglow time relay terminal La
e13	Windshield washer level indicator lamp		
e14	Bulb failure indicator lamp		
e16	Preglow indicator lamp		
h1	Warning buzzer		
p1	Coolant temperature indicator		
p2	Fuel gauge		
p3	Oil pressure gauge		
p6	Electronic clock		

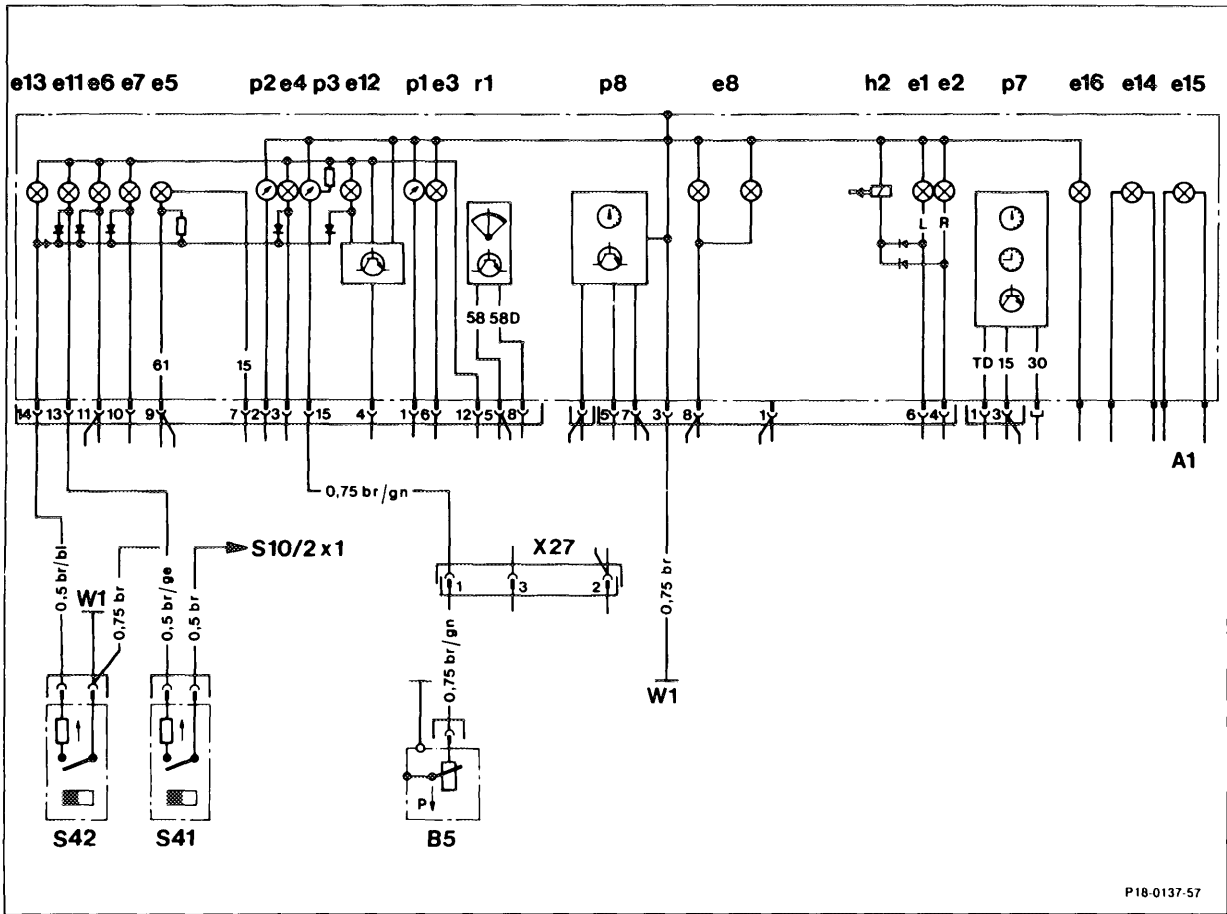
Model 126 1986



Wiring diagram of engine oil level indicator, coolant level indicator, windshield washer level indicator

- |     |  |     |   |
|-----|--|-----|---|
| A1  | Instrument cluster                           | B5  | Oil pressure sensor                           |
| e1  | Left turn signal indicator                   | S41 | Coolant level indicator lamp switch           |
| e2  | Right turn signal indicator                  | S42 | Windshield washer level indicator lamp switch |
| e3  | High beam indicator                          | S43 | Oil level indicator lamp switch               |
| e4  | Fuel reserve warning lamp                    | W1  | Main ground behind instrument cluster         |
| e5  | Battery charge indicator                     | W2  | Ground, front right next to lamp unit         |
| e6  | Brake pad wear indicator lamp                | X27 | Plug connector, starter harness               |
| e7  | Brake fluid and parking brake indicator lamp | f   | Preglow time relay terminal La                |
| e8  | Instrument lighting                          |     |   |
| e11 | Coolant level indicator lamp                 |     |   |
| e12 | Oil level indicator lamp                     |     |   |
| e13 | Windshield washer level indicator lamp       |     |   |
| e14 | Bulb failure indicator lamp                  |     |   |
| e15 | Airbag indicator lamp (RS/SRS)               |     |   |
| e16 | Preglow indicator lamp                       |     |   |
| h1  | Warning buzzer                               |     |   |
| h2  | Audible turn signal indicator                |     |   |
| p1  | Coolant temperature indicator                |     |   |
| p2  | Fuel gauge                                   |     |   |
| p3  | Oil pressure gauge                           |     |   |
| p7  | Electronic clock/tachometer                  |     |   |

Model 126 1990

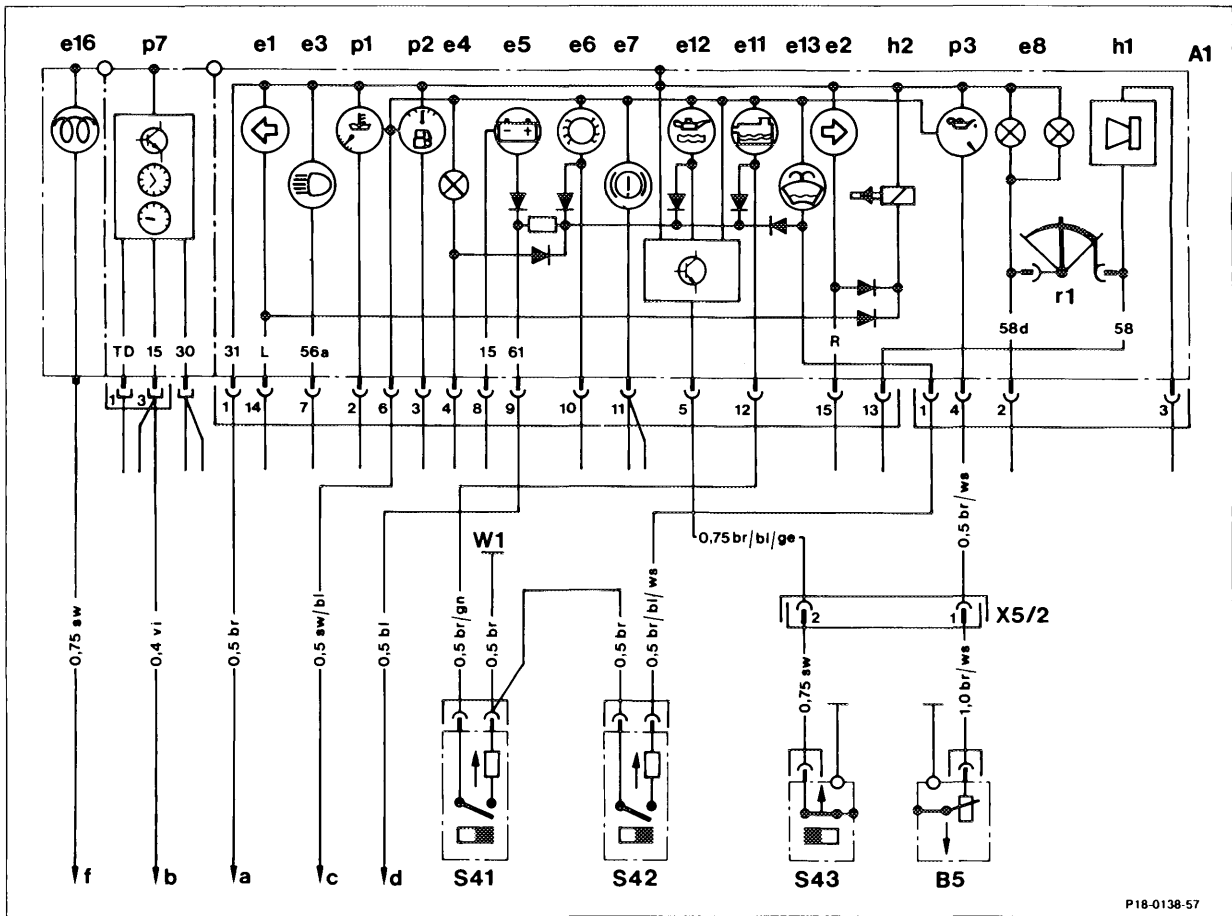


P18-0137-57

Wiring diagram of engine oil level indicator, coolant level indicator, windshield washer level indicator

- |     |  |         |   |
|-----|--|---------|---|
| A1  | Instrument cluster                           | B5      | Oil pressure sensor                             |
| e1  | Left turn signal indicator                   | S10/2x1 | Connector, front right brake pad contact sensor |
| e2  | Right turn signal indicator                  | S41     | Coolant level indicator lamp switch             |
| e3  | High beam indicator                          | S42     | Windshield washer level indicator lamp switch   |
| e4  | Fuel reserve warning lamp                    | S43     | Oil level indicator lamp switch                 |
| e5  | Battery charge indicator                     | W1      | Main ground behind instrument cluster           |
| e6  | Brake pad wear indicator lamp                | X27     | Plug connector, starter harness                 |
| e7  | Brake fluid and parking brake indicator lamp |         |   |
| e8  | Instrument lighting                          |         |   |
| e11 | Coolant level indicator lamp                 |         |   |
| e12 | Oil level indicator lamp                     |         |   |
| e13 | Windshield washer level indicator lamp       |         |   |
| e14 | Bulb failure indicator lamp                  |         |   |
| e15 | Airbag indicator lamp (RS/SRS)               |         |   |
| e16 | Preglow indicator lamp                       |         |   |
| h2  | Audible turn signal indicator                |         |   |
| p1  | Coolant temperature indicator                |         |   |
| p2  | Fuel gauge                                   |         |   |
| p3  | Oil pressure gauge                           |         |   |
| p7  | Electronic clock/tachometer                  |         |   |
| p8  | Electronic speedometer                       |         |   |
| V1  | Instrument lighting rheostat                 |         |   |

Model 201



Wiring diagram of engine oil level indicator, coolant level indicator, windshield washer level indicator (see Wiring Diagrams Volume 5 for further information)

A1	Instrument cluster	B5	Oil pressure sensor
e1	Left turn signal indicator	S41	Coolant level indicator lamp switch
e2	Right turn signal indicator	S42	Windshield washer level indicator lamp switch
e3	High beam indicator	S43	Oil level indicator lamp switch
e4	Fuel reserve warning lamp	W1	Main ground (behind instrument cluster)
e5	Battery charge indicator	X5/2	Connector, interior/starter 4-pin
e6	Brake pad wear indicator lamp	a	Main ground behind instrument cluster W1
e7	Brake fluid and parking brake indicator lamp	b	Electrical centre, connector contact 15 terminal 15 unprotected
e8	Instrument lighting	c	Electrical centre, connector D contact 2 terminal 15 fuse 8
e11	Coolant level indicator lamp	d	Electrical center, connector D contact 8 alternator terminal 61
e12	Oil level indicator lamp	f	Preglow time relay
e13	Windshield washer level indicator lamp		
e16	Preglow indicator lamp		
h1	Warning buzzer		
h2	Audible turn signal indicator		
p1	Coolant temperature indicator		
p2	Fuel gauge		
p3	Oil pressure gauge		
p6	Electronic clock		

**Test data**

Resistance at coolant level sensor with "max" coolant level	$\infty \Omega$
Resistance at coolant level sensor with "min" coolant level	approx. 15 $\Omega$
Battery voltage	approx. 12 V

**Commercial tool**

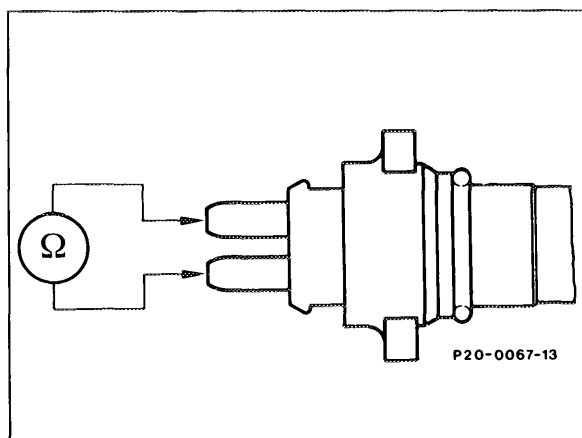
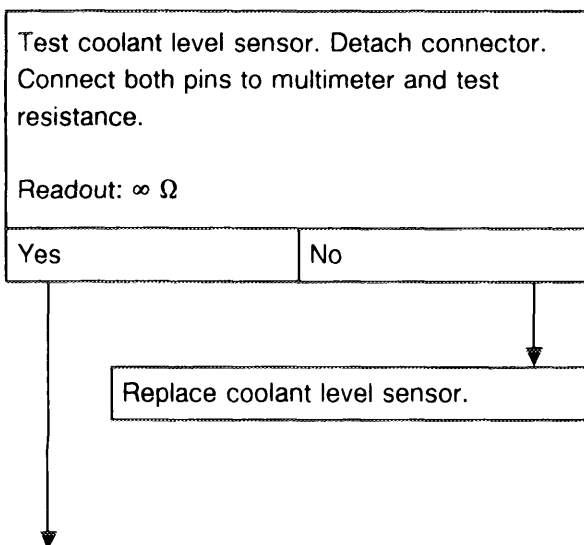
Multimeter	e. g. SUN, DMM-5
------------	---------------------

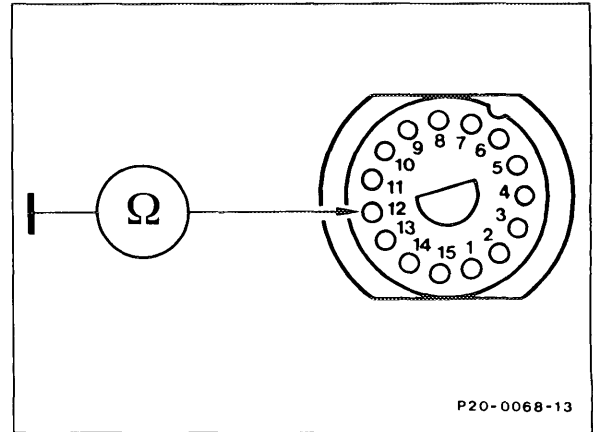
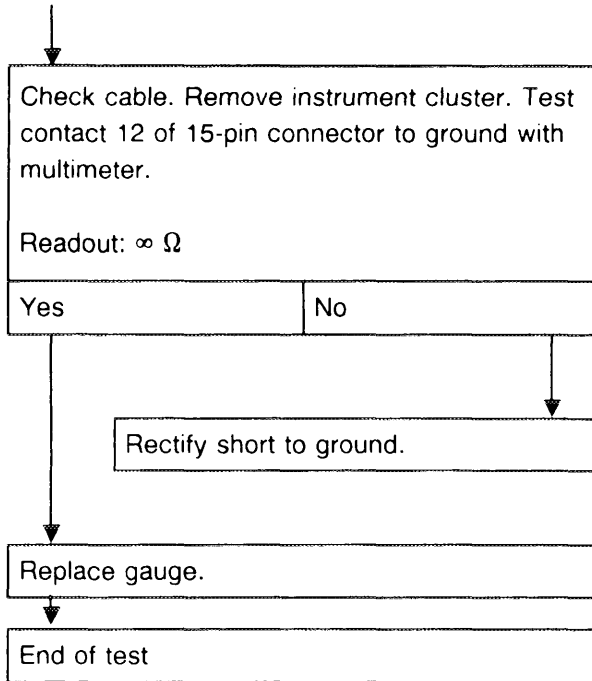
**Complaints**

- A. Indicator lamp remains on when engine running and coolant level correct.
- B. Indicator lamp does not light up when key in position "2".
- C. Indicator lamp does not light up when engine running and coolant level below "min".

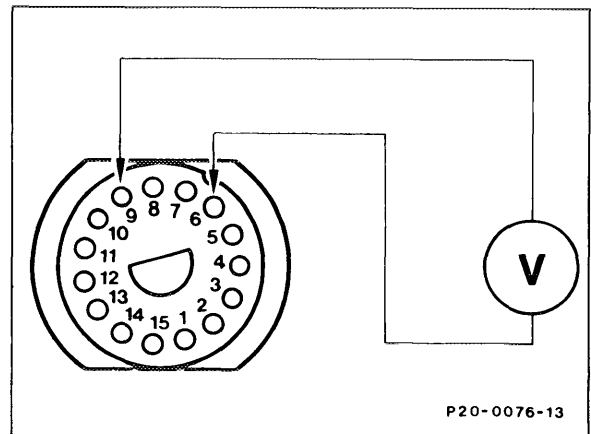
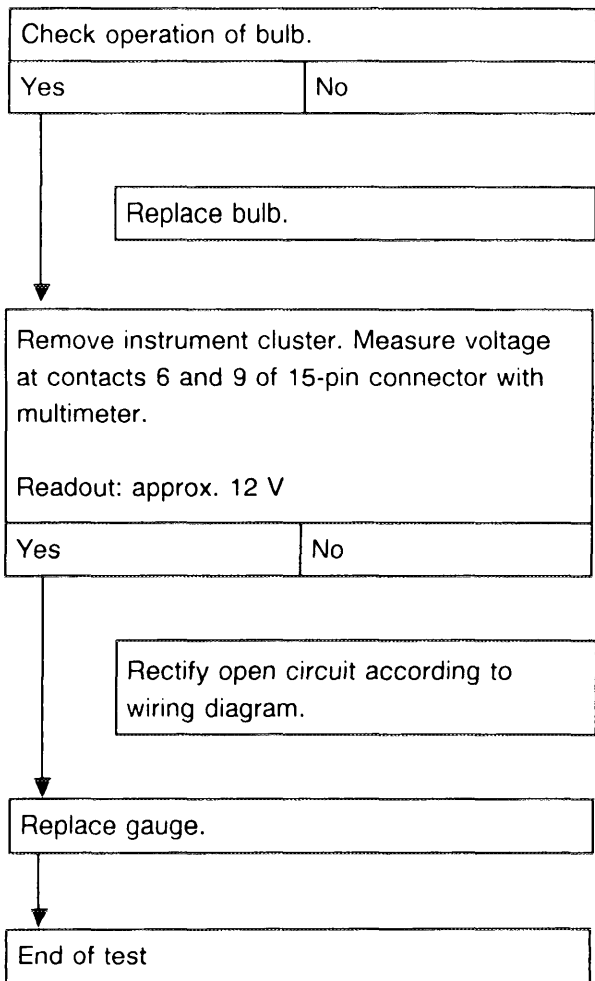
**Testing**

- A. Indicator lamp remains on when engine running and coolant level correct.





**B. Indicator lamp does not light up when key in position "2".**



**C. Indicator lamp does not light up when engine running and coolant level below "min". Control function section "B" in order.**

