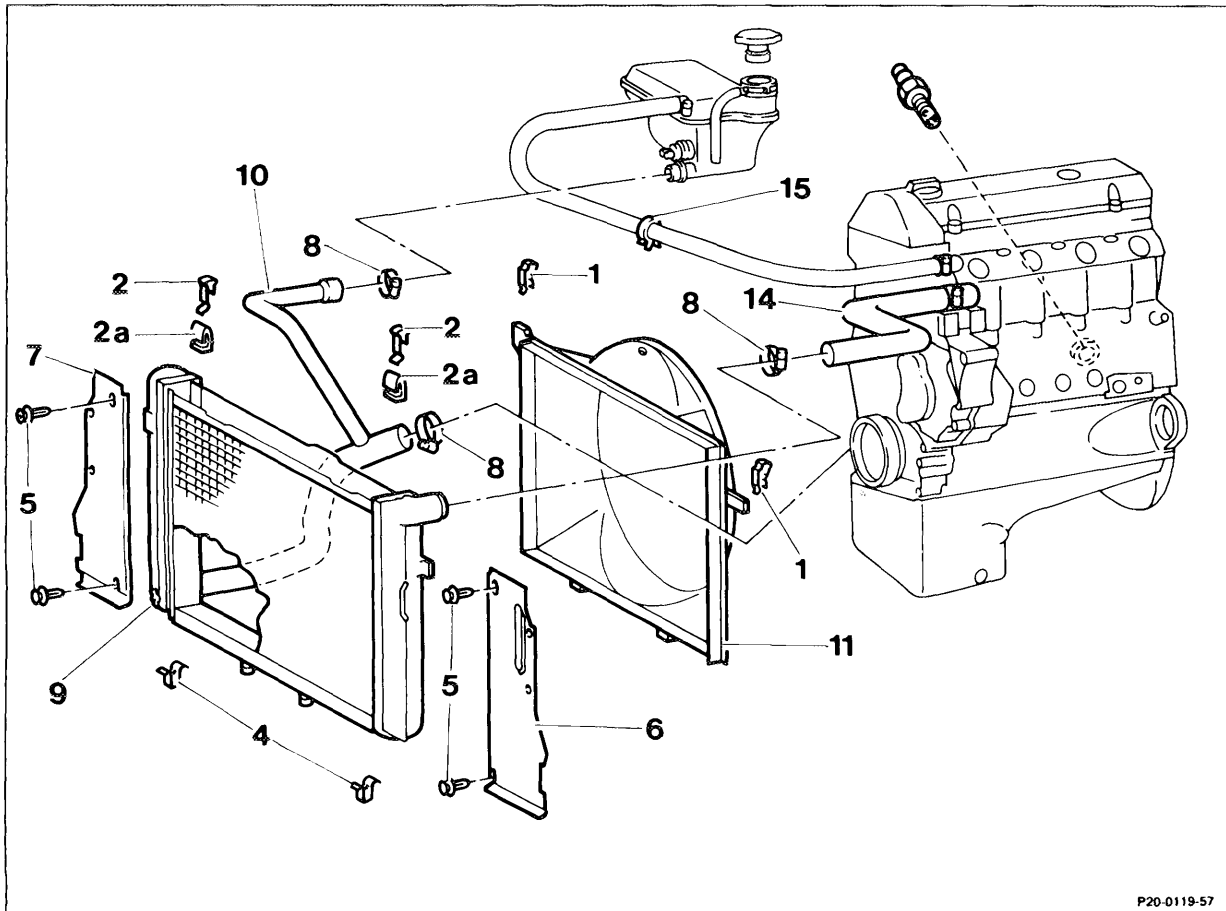


## 20-420 Removal and installation of radiator

Preceding work:

Bottom engine compartment covering removed (01-006).

Coolant drained (20-010).



P20-0119-57

### Vehicles with automatic transmission:

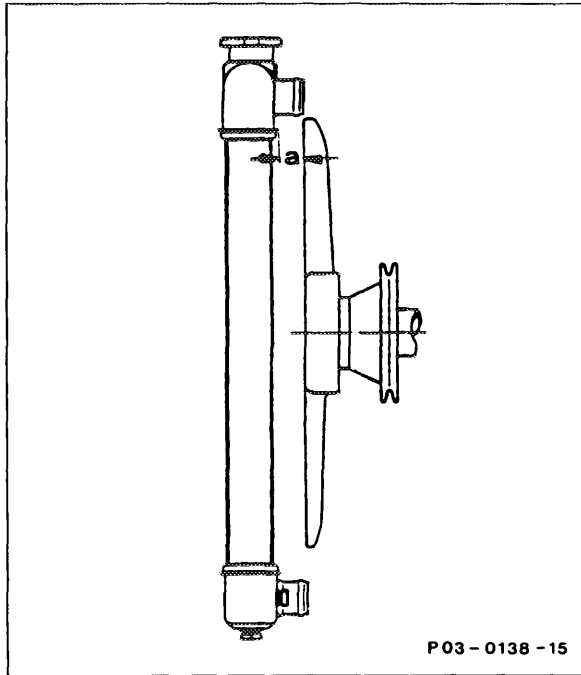
Oil lines at cooler .....	unbolt, bolt on, clamp with special tool 000 589 40 37 00 (step 1).
Holder (15) .....	for vent hose, unclip, clip in (step 4).
Flat spring (1) .....	remove, insert.
Fan cowl (11) .....	remove, insert. Place fan cowl (11) over the fan.
Coolant hoses (10, 14) .....	detach, attach, check condition.
Expanding rivets (5) .....	remove, insert (step 5).
Radiator coverings (6, 7) .....	remove, install.

Retaining clip (4) . . . . .	pull off, fit on.
<b>Model 201.128</b>	
Radiator bridge . . . . .	unbolt, on.
<b>Model 201.128</b>	
Front bumper . . . . .	remove, attach (88-200).
Evaporator . . . . .	unbolt from radiator, screw on.
Flat spring (2) . . . . .	withdraw, insert.
Radiator (9) . . . . .	lift out, insert.
Cooling system . . . . .	check for leaks (20-017).

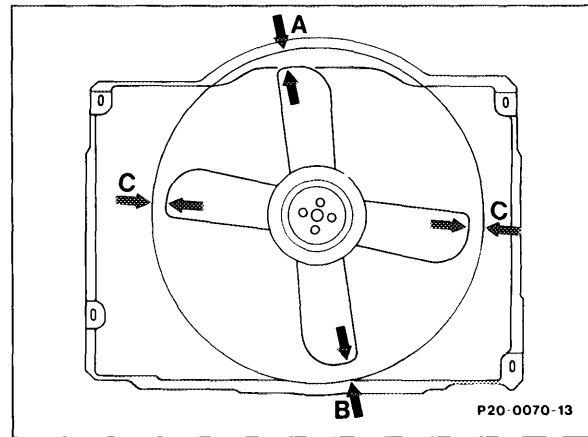
**Installation dimensions for radiator, fan and fan cowl**

Model	Engine	Distance "a" from fan to radiator, approx. mm	Distance from fan to cowl, approx. mm		
			A	B	C
124.128	602.962	87	22 19.5 <sup>1)</sup>	28 25.5 <sup>1)</sup>	20 22.5 <sup>1)</sup>
124.133	603.960	178			
124.193	603.962	87			
126.125	603.961	87	17.5	23.5	15.5
126.135	603.970	34	22	28	20
201.126	602.911	19	19.5	25.5	22.5
201.128	602.961	178			

<sup>1)</sup> Two-section fan cowl

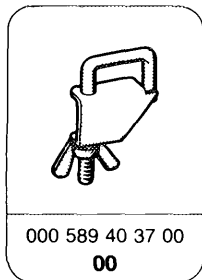


Radiator/fan



Fan/fan cowl

**Special tool**



**Commercial tool**

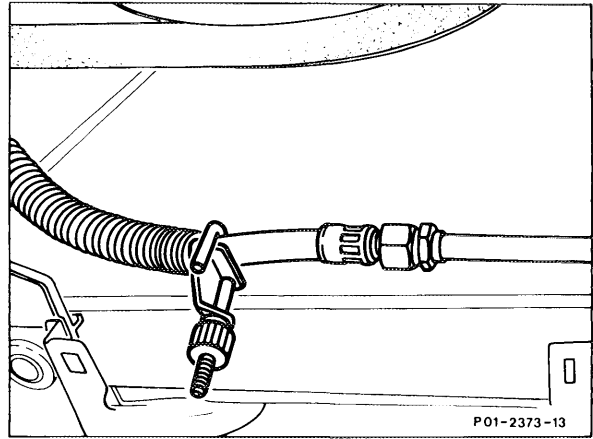
7 mm wrench socket on flexible shaft  
for hose clips with worm drive

e. g. Hazet,  
D-5630 Remscheid  
Order No. 426-7

## Removal

### Vehicles with automatic transmission:

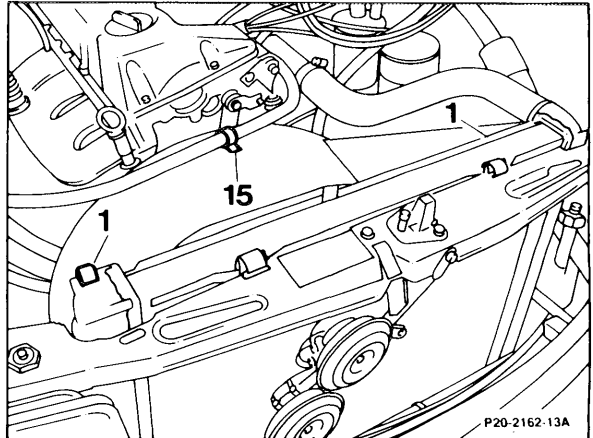
1 Clamp oil lines at automatic transmission with special tool 000 589 40 37 00, moving the spiral spring slightly to the side and unscrewing at the radiator.



2 Seal off coolant hoses at the radiator.

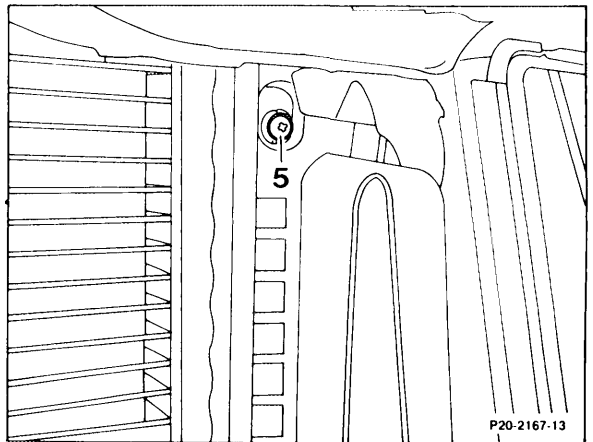
3 Withdraw hose holder (15).

4 Pull out flat springs (1) for fan cowl, raise cowl slightly and place over the fan.

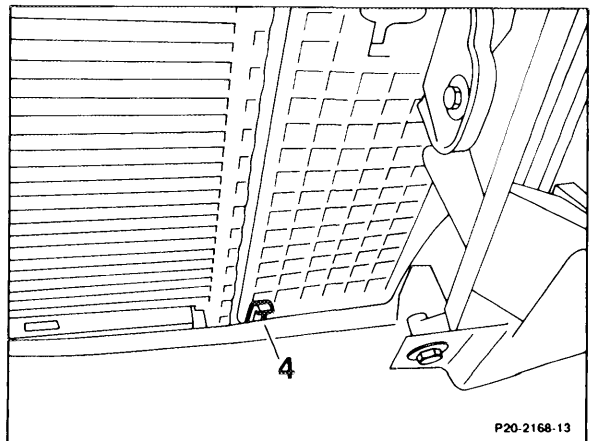


5 Remove the expanding rivet (5) on the right and left side for the side radiator covering.

6 Remove radiator coverings.



7 Remove the retaining clip (4) at the bottom right and left.

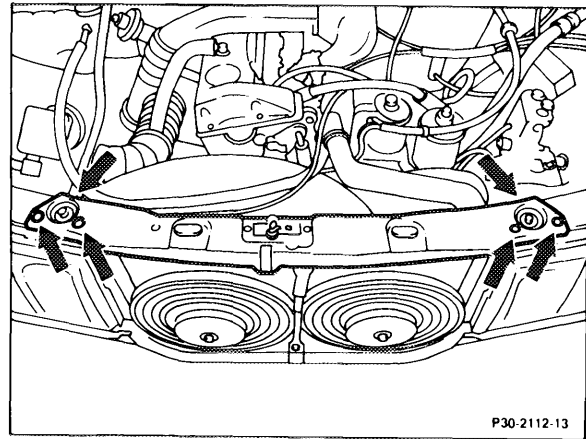


### Model 201.128

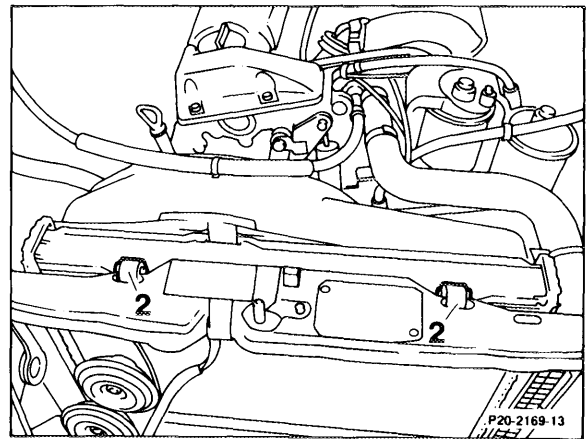
8 Unbolt radiator bridge (arrows).

#### Note

The front bumper must be removed on vehicles with air conditioning in order to be able to unbolt the evaporator from the radiator (88-200).



9 Withdraw flat springs (2) for radiator and lift out radiator.

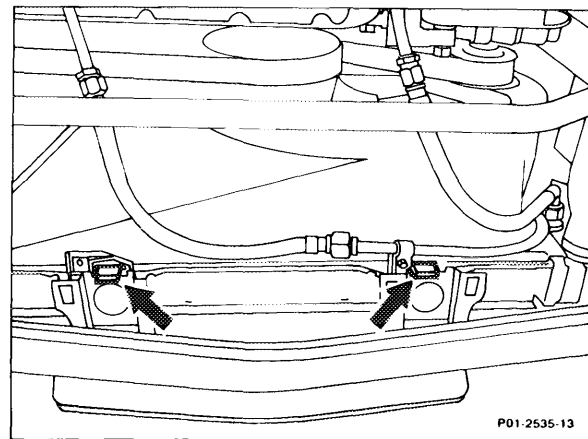


### Installation

Installation is performed in the reverse order.

#### Note

Ensure that the fixing mounts of the radiator are correctly positioned into the rubber grommets of the bottom holders and that the holders of the fan cowl are correctly inserted into the retaining clips on the radiator (arrows).



10 Check cooling system for leaks (20-017).