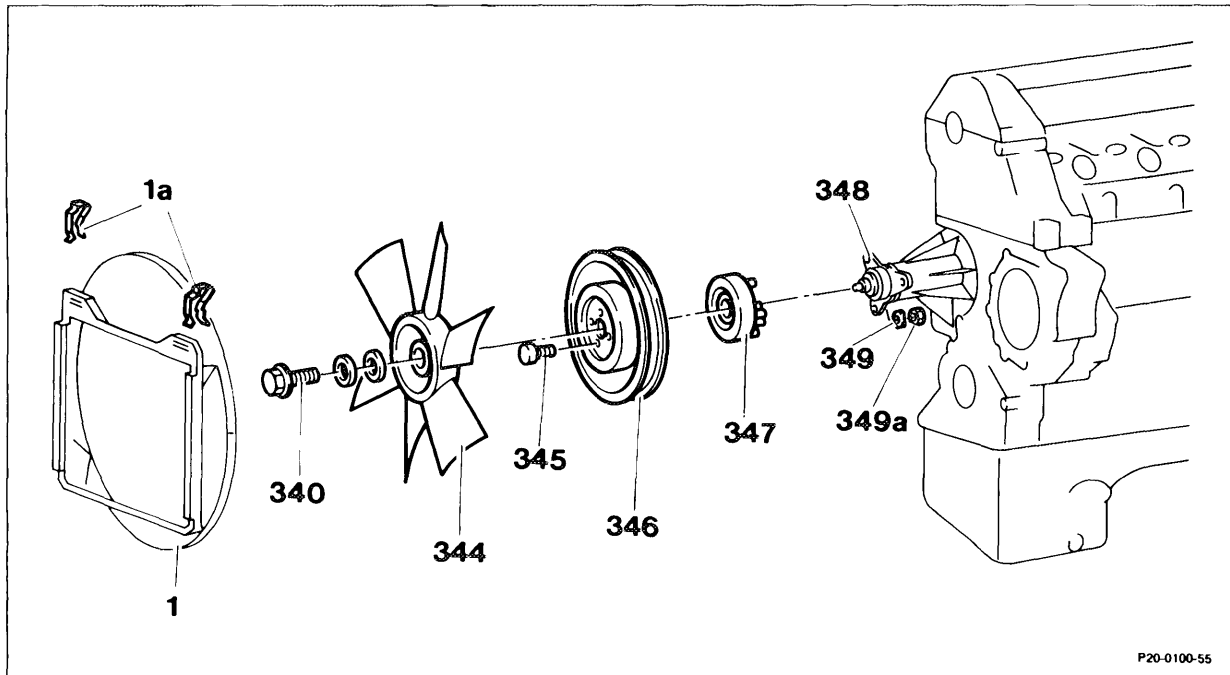


## 20-335 Removal and installation of magnetic fan coupling

Preceding work:  
Poly V-belt removed (13-342).



P20-0100-55

Retaining clips (1a) .....	remove, refit.
Fan cowl (1) .....	detach, attach, place over fan.
Fan (344) .....	unbolt, bolt on, 25 Nm.
Belt pulley (346) .....	unbolt, bolt on, hexagon socket bolt 10 Nm or torx screw 14 Nm.
Magnet body (347) .....	pull off cable connection, fit on, unbolt nuts (349a), bolt on.
Magnet carrier (348) .....	do not remove from coolant pump, check for tightness, secure with adhesive 001 989 45 20 10, if necessary.

### Special tools

