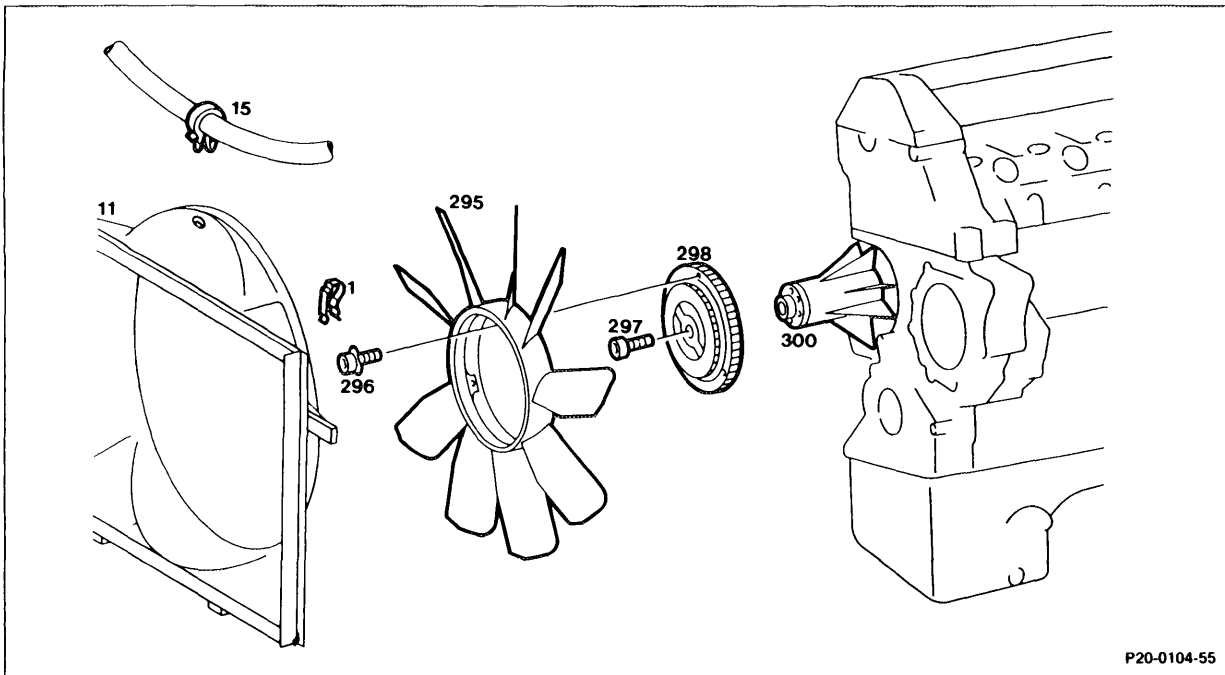


## 20-312 Removal and installation of viscous fan coupling

Preceding work:  
 Radiator removed – only Model 201.126, 124.133, 124.193  
 (20-210).



P20-0104-55

Hose holder (15) .....	unclip, clip in.
Retaining clip (1) .....	pull off, fit on.
Fan cowl (11) .....	place over the fan.

Hexagon socket screw (297) .....	unscrew, screw in, 45 Nm, using screwdriver insert 103 589 01 09 00, torque wrench 001 589 72 21 00 and counter-holder 603 589 00 40 00 (step 3).
----------------------------------	---

Fan (295) with viscous fan coupling (289) .....	remove at coolant pump (300), insert.
Fan (295) .....	unscrew, screw on, hexagon socket screw (296), 10 Nm.

### Caution!

Separate split fan cowls and remove.

### Caution!

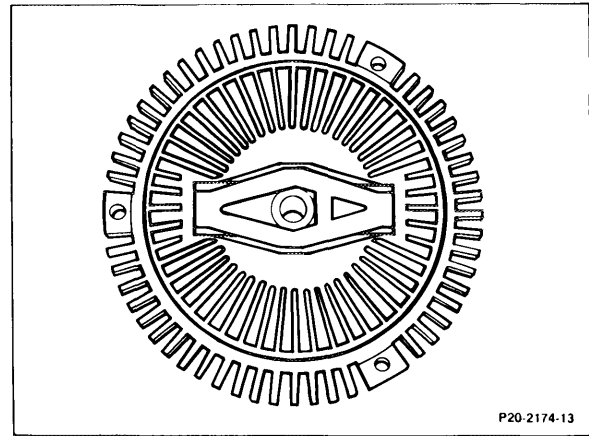
Notice direction of rotation of fan (295).  
 Inscription must be facing direction of travel.

**Tightening torques**

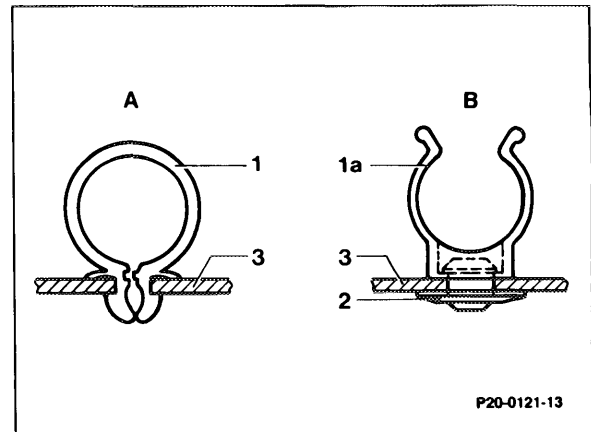
	Nm
Hexagon socket bolts of fan	10
Hexagon socket screw of viscous fan coupling	45

**Note**

As a distinguishing feature on engines 602 and 603.91 a silver-colored sticker with Part No. 603 200 00 22 and 603 200 04 22, respectively, is attached to the viscous fan coupling. A red inscription appears on the same part for engine 603.96.



The hose holder for attaching the vent hose at the fan cowl has been modified from a single-section version to a two-section version.



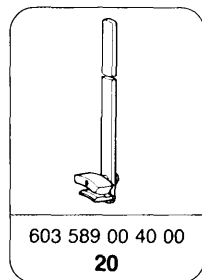
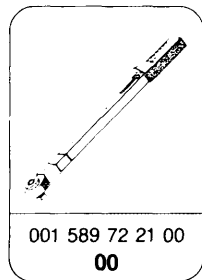
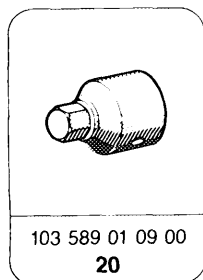
- A Previous version
- B Present version

**Production breakpoint: 10/87 – 05/88**

Model	Engine	Engine End No.		Vehicle Ident End No.	
		manual transmission	automatic transmission	A	F
124.133 124.193	603.960	*	*	732131	*
201.126	602.911	*	*	455028	*

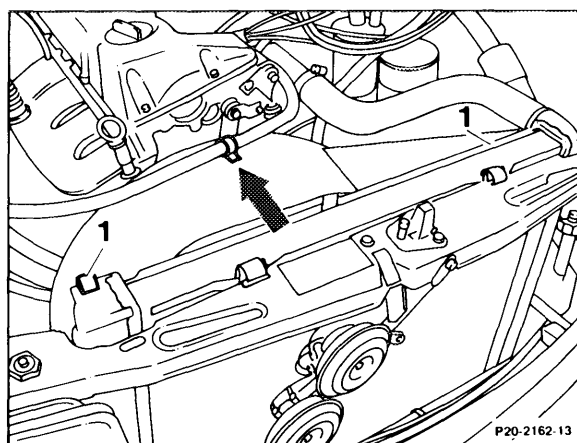
\* not registered

**Special tools**



**Removal**

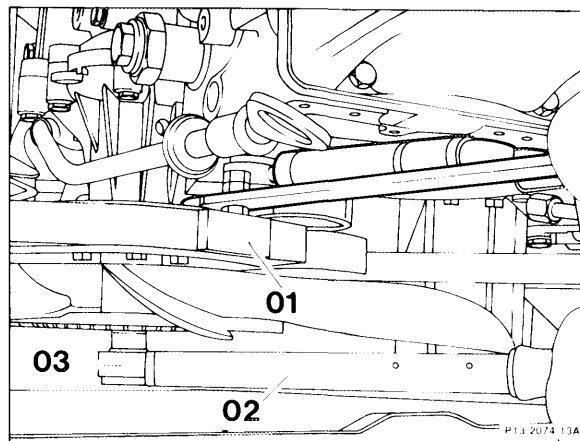
- 1 Remove clip together with vent line from fan cowl (arrow).
- 2 Pull off retaining clips (1) for fan cowl. Place fan cowl over the fan.



3 Unbolt viscous fan coupling with torque wrench 001 589 72 21 00 (02) and screwdriver insert 103 589 01 09 00 (03). Hold the belt pulley with the counter-holder 603 589 00 40 00 (01) when performing this step.

4 Remove viscous fan coupling together with fan and fastening bolt.

5 Unbolt fan from the viscous fan coupling.



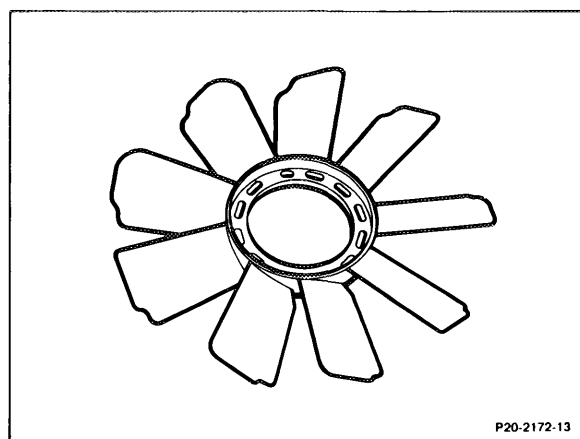
## Installation

### Caution!

Notice direction of rotation of fan. Marking must be pointing in direction of travel.

6 Bolt fan onto the viscous fan coupling.

Tightening torque 10 Nm.



7 Fit fan with viscous fan coupling and fastening screw onto the coolant pump.

8 Tighten the hexagon socket bolt with screwdriver insert 103 589 01 09 00 (03) and torque wrench 001 589 72 21 00 (02). Hold the belt pulley securely with the counter-holder 603 589 00 40 00 (01) when performing this step.

Tightening torque 45 Nm.

9 Install fan cowl.

10 Attach vent line at fan cowl.

