

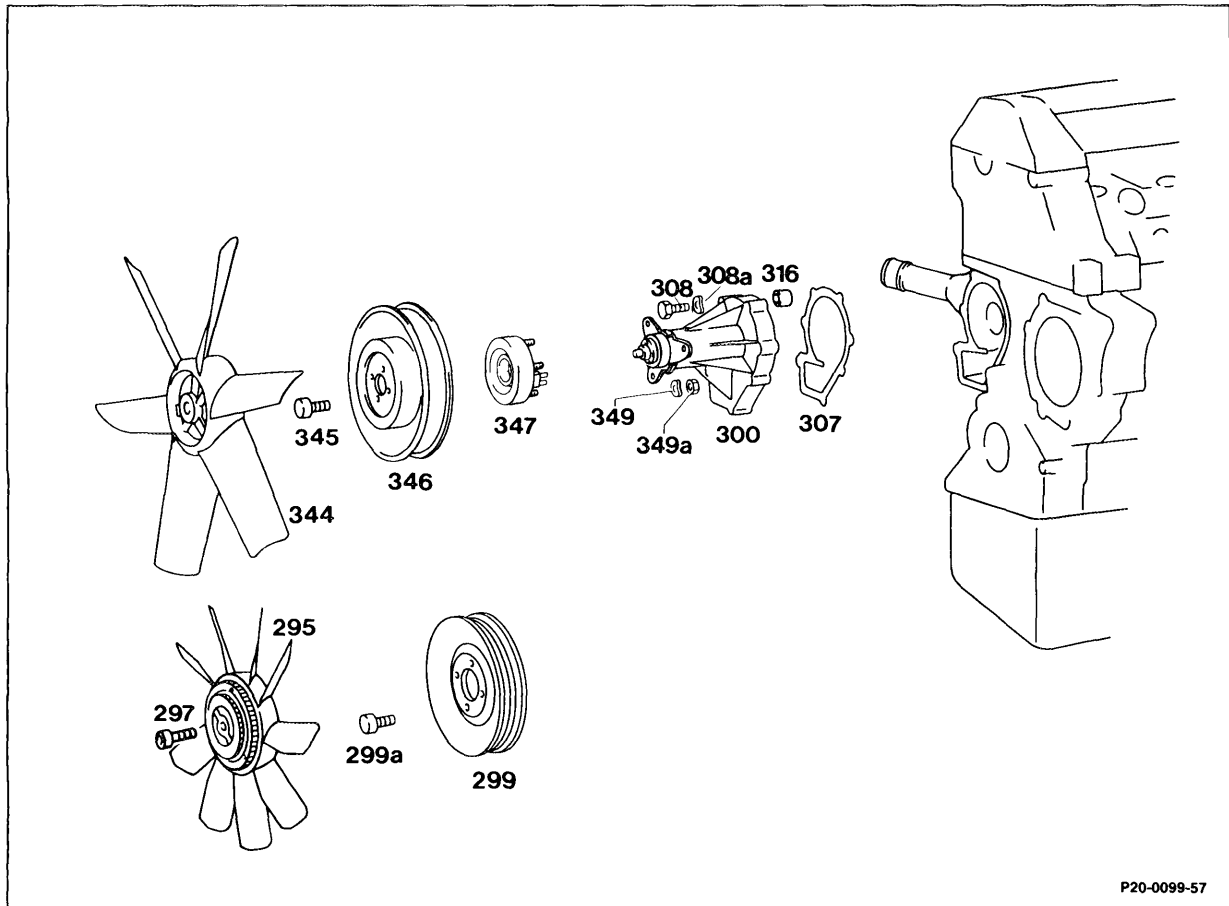
20-210 Removal and installation of coolant pump

Preceding work:

Coolant drained (20-010).

Radiator removed (Model 201.126 only) (20-420).

Poly V-belt removed (13-342).



P20-0099-57

Engine 602, 603:

- | | |
|---|--|
| Fan with viscous fan coupling (295) | unbolt, bolt on, hexagon socket bolt (297), 45 Nm.
Use screwdriver 103 589 01 09 00,
torque wrench 001 589 66 21 00 and
counter holder 603 589 00 40 00 (step 2). |
| Belt pulley (299, 346) | unbolt, bolt on. Hexagon socket bolts (299a), 10 Nm, Torx screws (345), 15 Nm (step 3). |

Caution!

The magnet carrier must not be removed.

Engine 601:

Magnet body (347)

Remove cable, unbolt hexagon nut (349a) and remove magnet body (steps 4, 5).

Coolant pump (300)

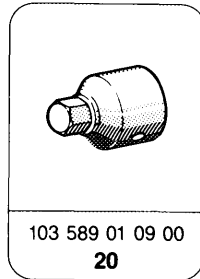
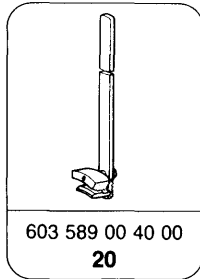
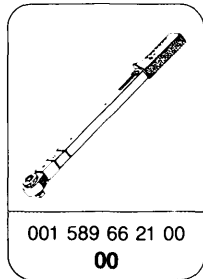
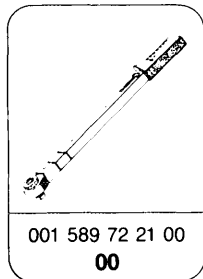
unbolt, bolt on, replace hexagon bolts (308), 10 Nm. Replace gasket (307), clean sealing surface.

Tightening torques

Nm

Hexagon bolts of fan	25
Hexagon socket screws of viscous fan coupling	45
Hexagon bolts of coolant pump	10
Hexagon socket screw of belt pulley	10
Torx screw of belt pulley	15

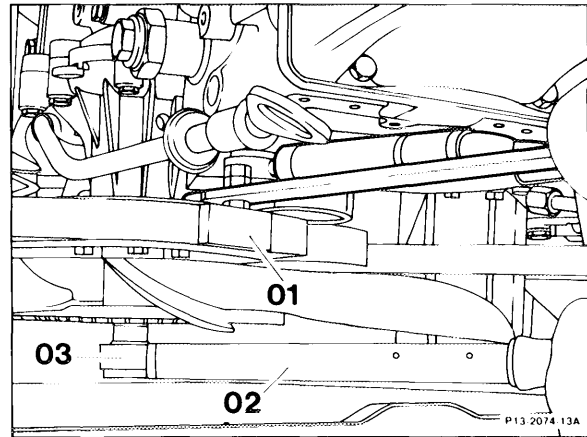
Special tools



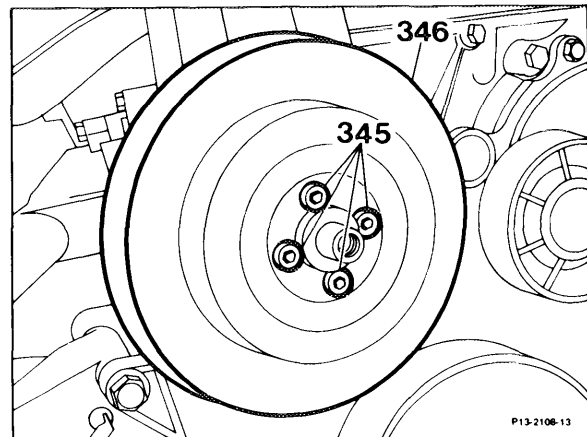
Removal

Engine 602, 603

2 Detach fan cowl, place over the fan.
Unscrew viscous fan coupling, using screwdriver
insert 103 589 01 09 00 (03), torque wrench
001 589 72 21 00 (02) and counter holder
603 589 00 40 00 (01).



3 Unbolt hexagon socket bolts (345) and
remove belt pulley (346).

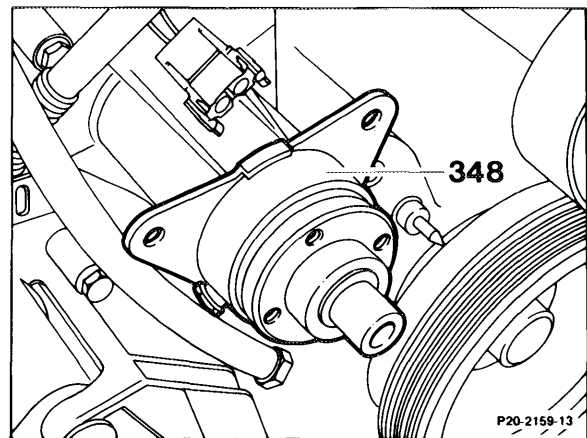


Note

The magnet carrier (348) is bonded to the
coolant pump housing and must not be removed.

6 Unbolt coolant pump.

7 Clean sealing surfaces.



Installation

8 Insert coolant pump with new gasket and tighten hexagon bolts.

Tightening torque 10 Nm.

9 Install magnet body and plug in cable.

10 Install belt pulley.

Tightening torque

Hexagon socket screw 10 Nm,

Hexagon socket torx screw 15 Nm.

The remaining parts are installed in reverse order.