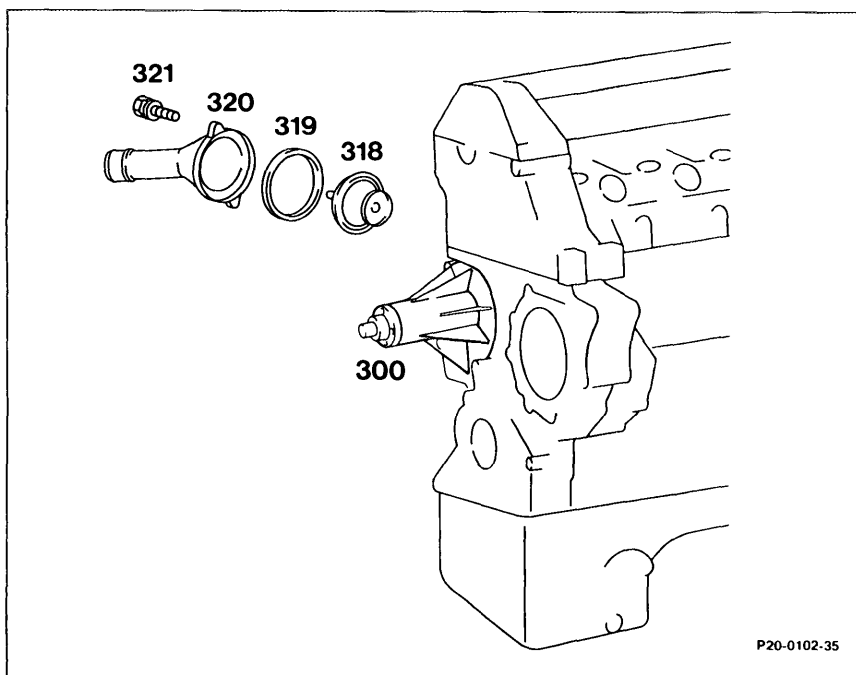


20-110 Removal and installation of thermostat

Preceding work:
Coolant drained (20-010).



- Housing cover (320) unscrew from coolant pump, screw on, bolts (321), 10 Nm. Replace seal (319).
- Thermostat (318) check. Make note of installation position; the recess on the thermostat must be aligned with the rib in the thermostat housing cover.

Note

Thermostat and thermostat housing cover are marked with a green dot on turbo engines.

Special tool

