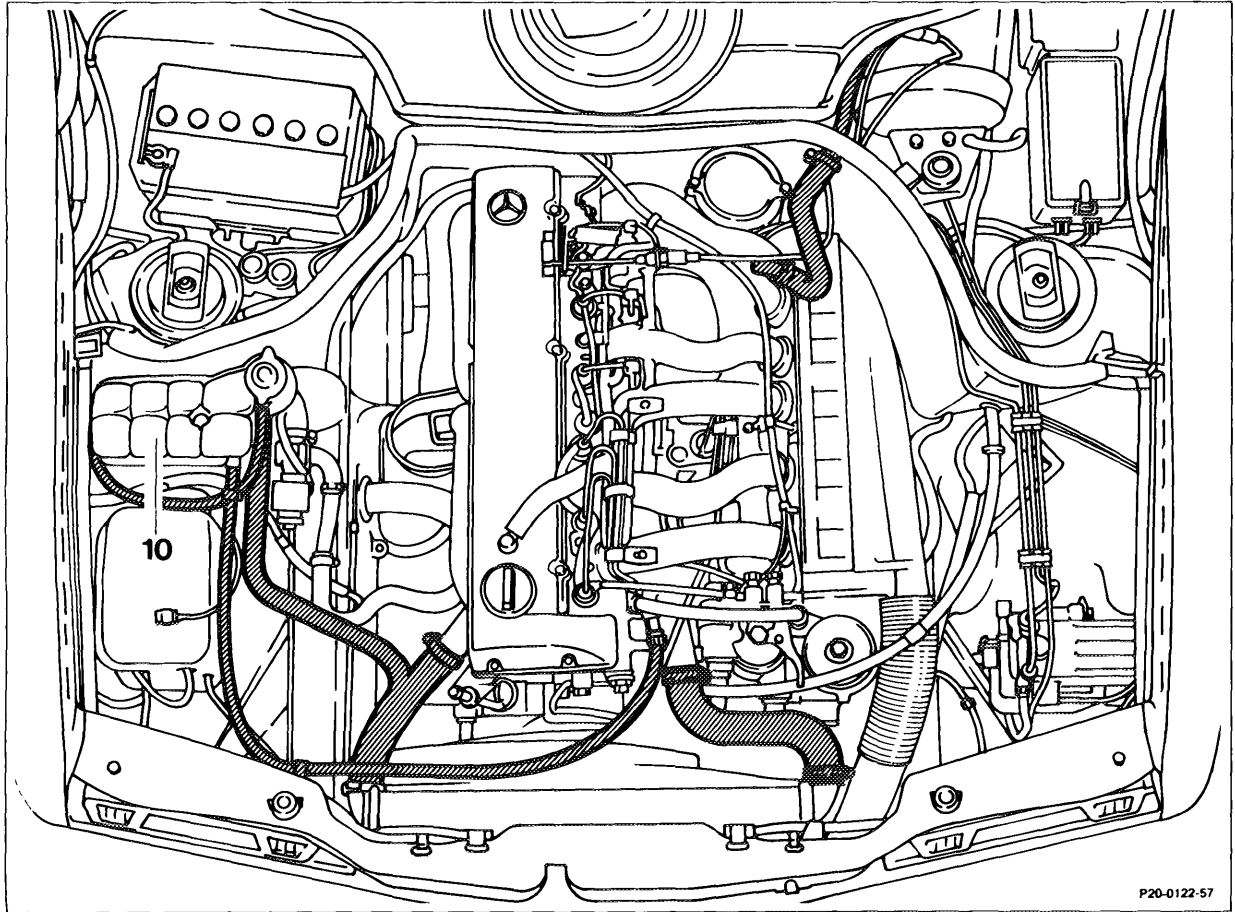
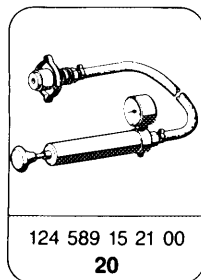


20-017 Checking cooling system for leaks



- | | |
|---|---|
| Pressure cap | open in stages, allow system pressure to escape and remove. |
| ⚠ Warning | |
| The pressure cap must only be opened if the coolant temperature is below 90 °C. | |
| Coolant level | must extend up to the mark on the expansion tank (10). |
| Heater switch | set to maximum heating capacity. |
| Tester | 124 589 15 21 00, attach to expansion tank (10) and pressurize cooling system, approx. 1.4 bar gauge pressure.
Check all cooling and heating hoses and their connection points for loss of coolant. Check condition of hose clips, tighten if necessary. |

Special tool



Commercial tool

7 mm wrench socket on flexible shaft for hose clips with worm drive

e. g. Hazet,
D-5630 Remscheid
Order No. 426-7

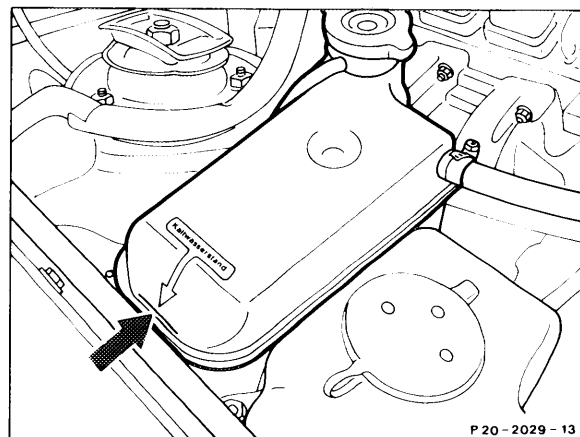
Checking for leaks

1 Turn cap to 1st detent and allow system pressure to escape, then turn to 2nd detent and remove cap.

Warning

The pressure cap must only be opened if the coolant temperature is below 90 °C.

2 The coolant level must extend up to the marking on the expansion tank (arrow).



3 Pressurize cooling system with the tester 124 589 15 21 00 (approx. 1.4 bar).

4 Check all cooling and heating water hoses and their connection points for loss of coolant.

Check that hose clips are in proper condition and correctly seated, replace or tighten as necessary.

