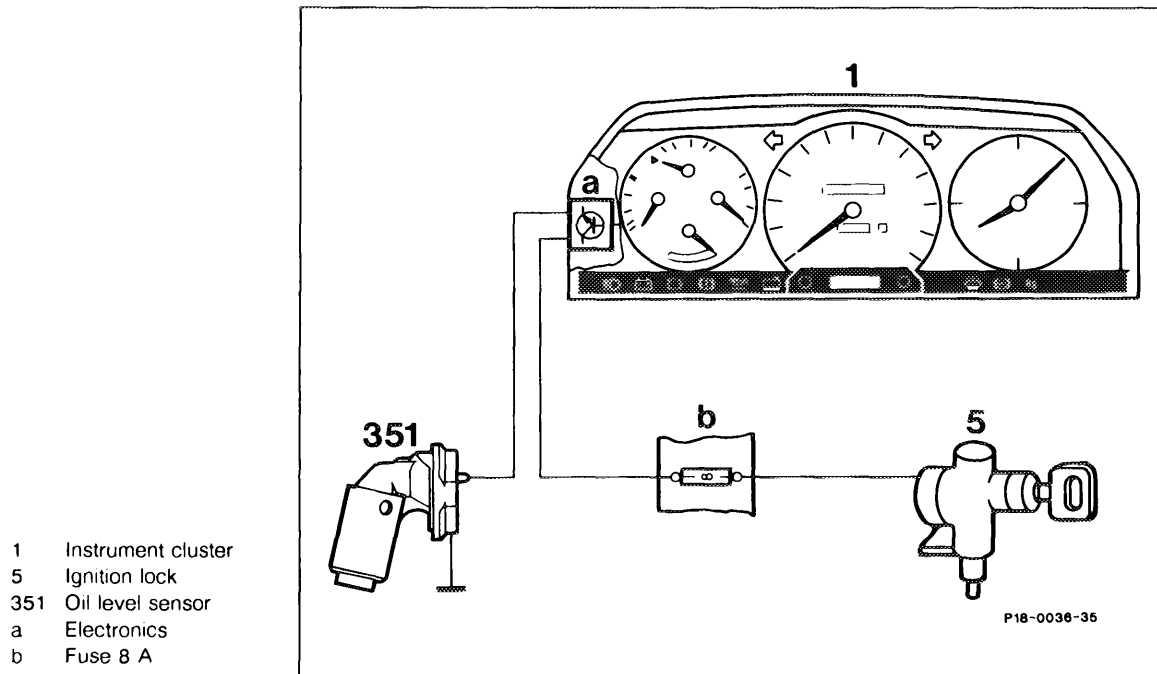


## 18-220 Testing oil level indicator

---



### Problems

---

- A. Indicator lamp shows a steady light when engine running and oil level correct.
- B. Indicator lamp does not light up when key is in position "2".
- C. Indicator lamp does not light up when engine running, oil temperature > + 60 °C and oil level below "min".

### Test data

Resistance at max. oil level	< 1 $\Omega$
Resistance at min. oil level	$\infty \Omega$
Battery voltage	approx. 12 V

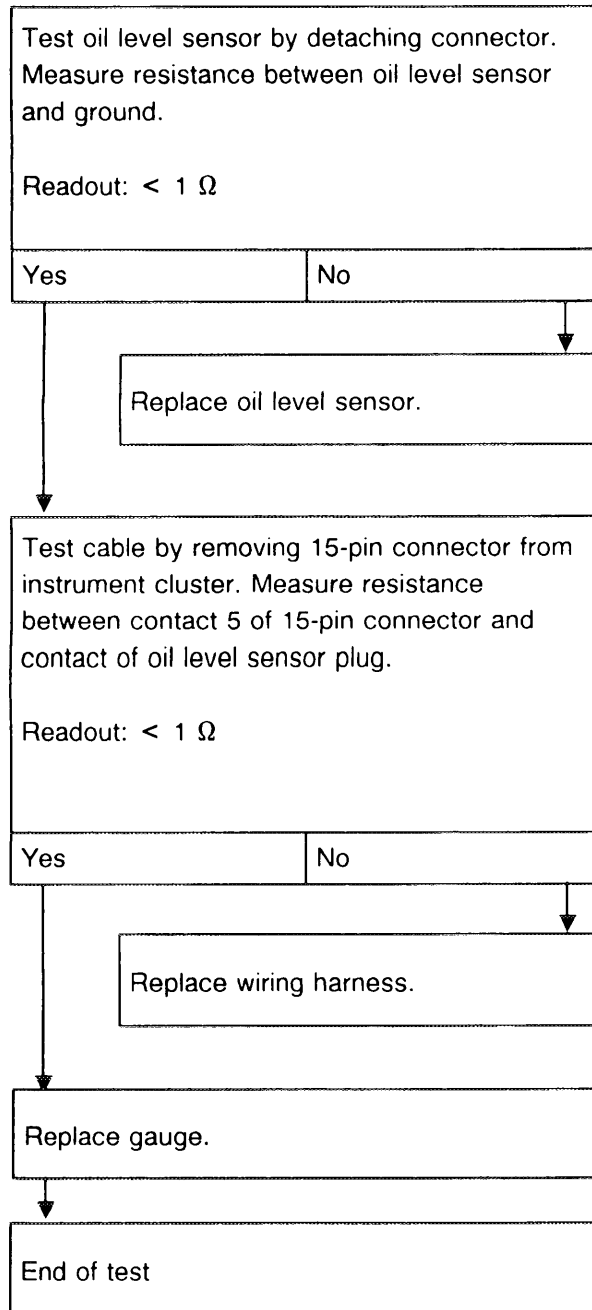
### Commercial tool

Multimeter	e.g. Sun, DMM-5
------------	-----------------

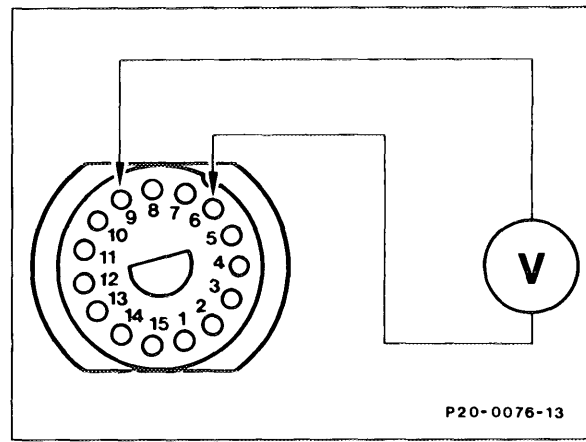
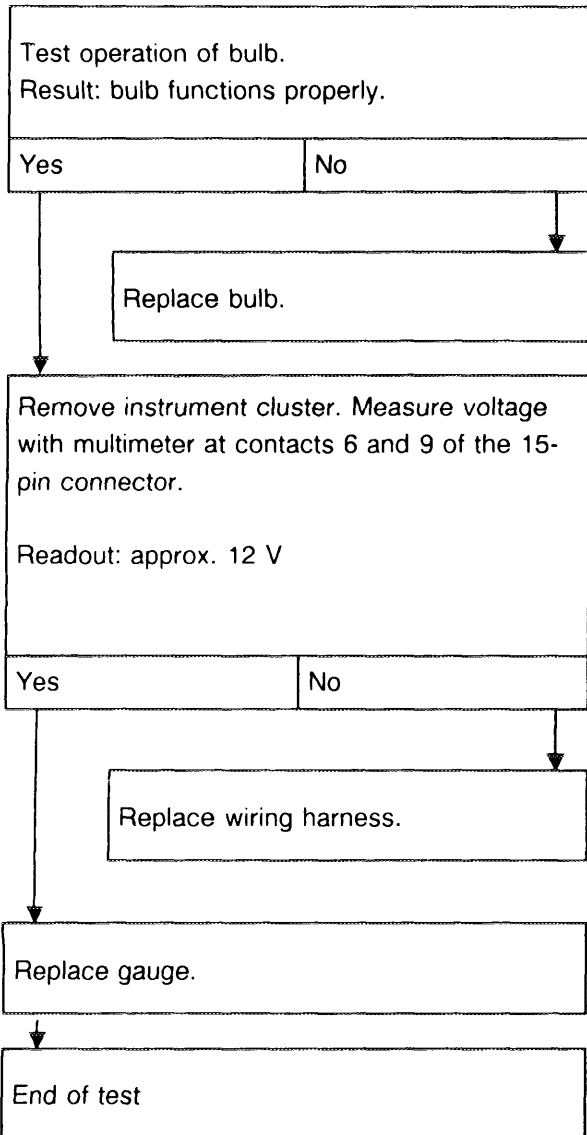
## Testing

---

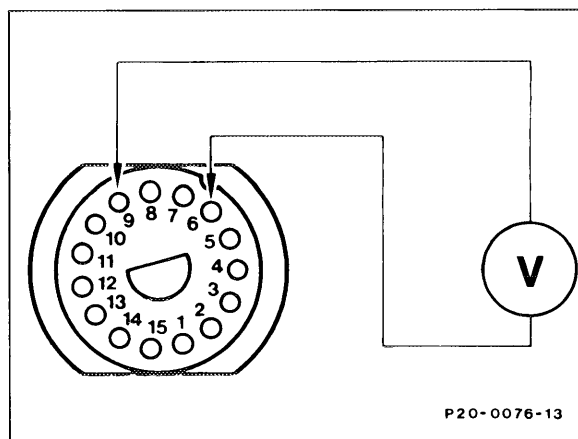
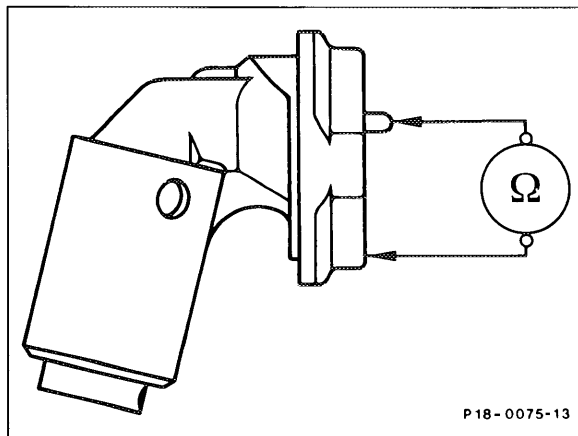
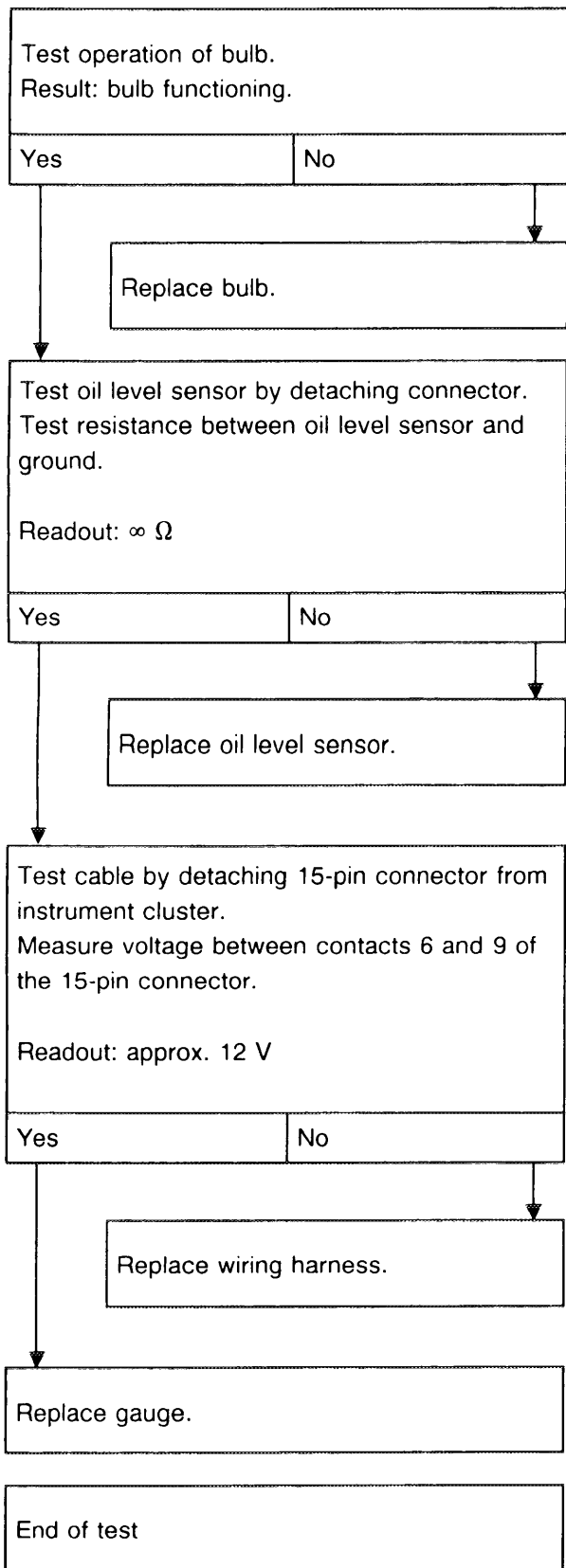
### A. Indicator lamp shows a steady light when engine running and oil level correct



**B. Indicator lamp does not light up when key is in position "2" (check function)**

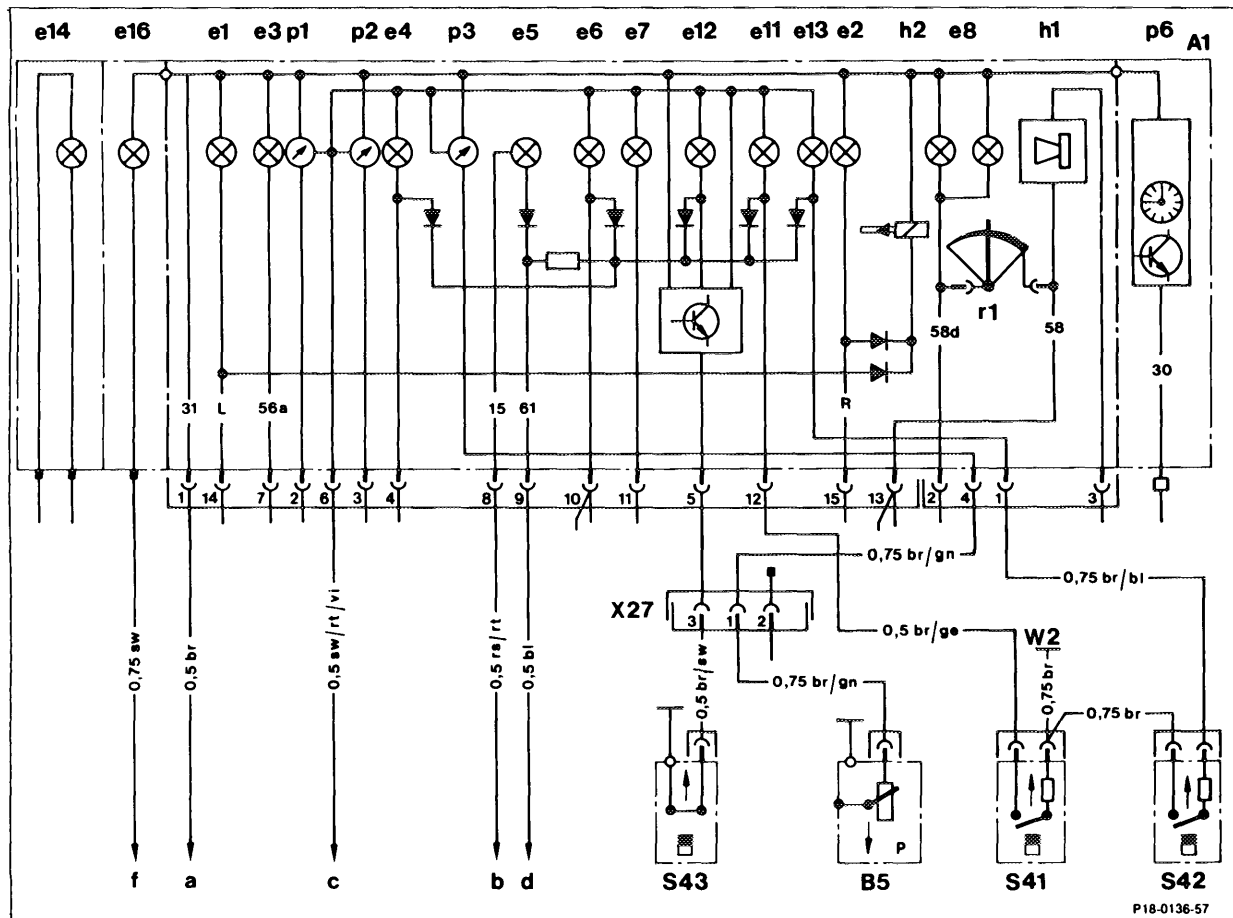


**C. Indicator lamp does not light up when engine running, oil temperature > + 60 °C and oil level below "min"**



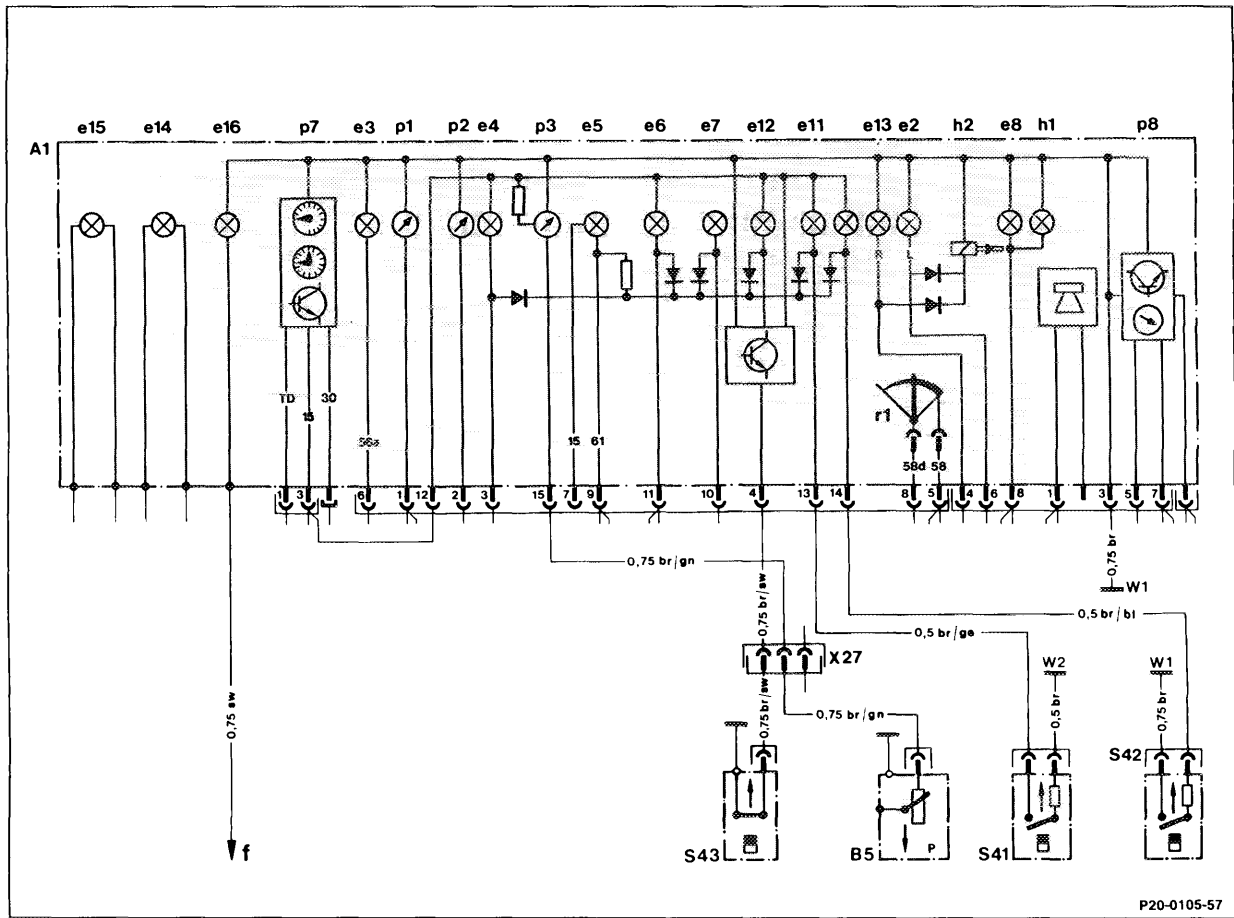
# Wiring Diagrams Models 124, 126 and 201

## Model 124



Wiring diagram engine oil level indicator, coolant level indicator, windshield washer level indicator (see Wiring Diagrams Volume 3 and Volume 4 for further information)

A1	Instrument cluster	B5	Oil pressure gauge sensor
e1	Left turn signal indicator lamp	S41	Coolant level indicator lamp switch
e2	Right turn signal indicator lamp	S42	Windshield washer indicator lamp switch
e3	High beam indicator lamp	S43	Oil level indicator lamp switch
e4	Fuel reserve warning lamp	W2	Ground, front right (next to lamp unit)
e5	Battery charge indicator lamp	X27	Connector, starter wiring harness
e6	Brake pad wear indicator lamp	a	Main ground (behind instrument cluster) W1
e7	Brake fluid and parking brake indicator lamp	b	Fuse 7 terminal 15
e8	Instrument lighting	c	Fuse 5 terminal 15
e11	Coolant level indicator lamp	d	Lamp indicator unit
e12	Oil level indicator lamp	f	Preglow time relay terminal La
e13	Windshield washer level indicator lamp		
e14	Exterior lamp failure indicator lamp		
e16	Preglow indicator lamp		
h1	Warning buzzer		
p1	Coolant temperature gauge		
p2	Fuel gauge		
p3	Oil pressure gauge		
p6	Electronic clock		

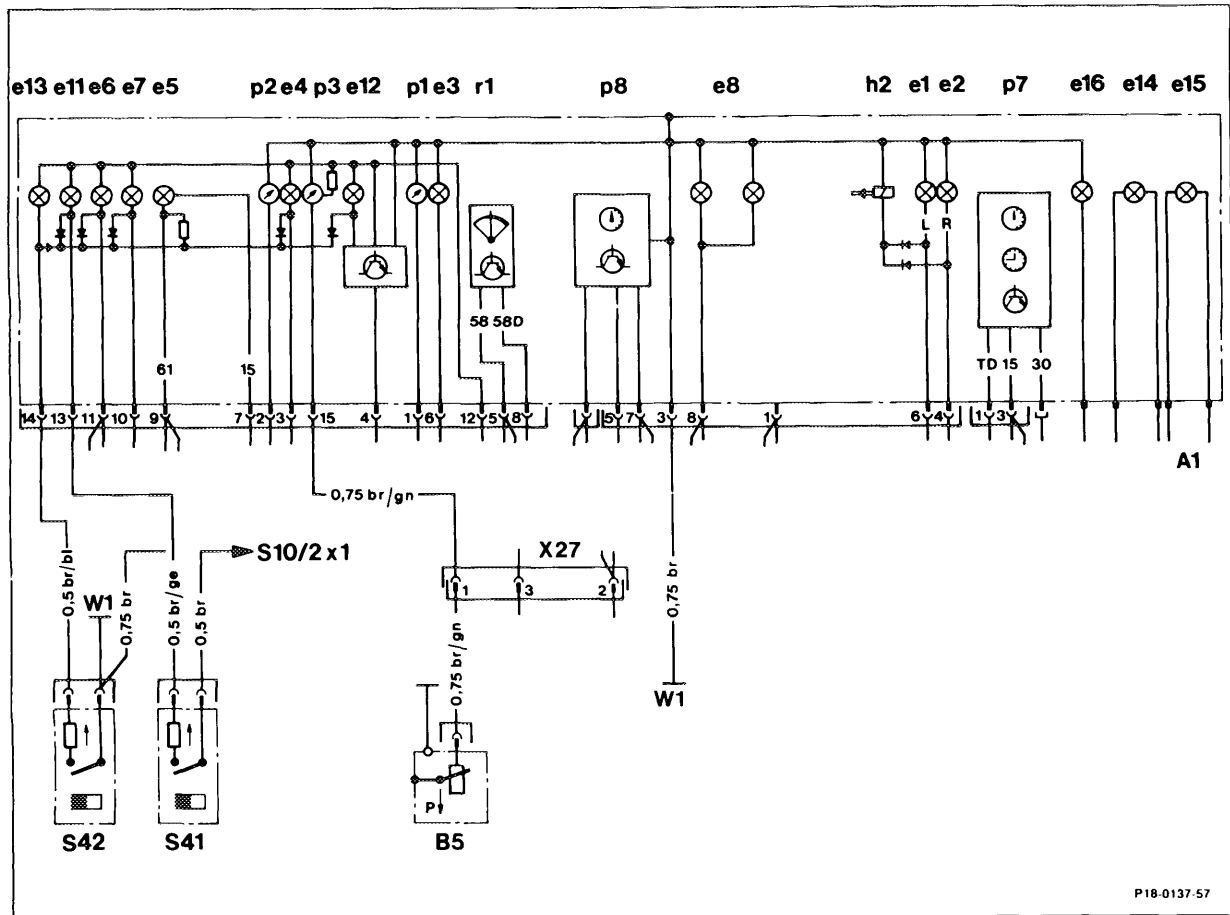


P20-0105-57

Wiring diagram engine oil level indicator, coolant level indicator, windshield washer level indicator (see Wiring Diagrams Volume 2 for further information)

- |     |  |     |   |
|-----|--|-----|---|
| A1  | Instrument cluster                           | B5  | Oil pressure gauge sensor               |
| e1  | Left turn signal indicator lamp              | S41 | Coolant level indicator lamp switch     |
| e2  | Right turn signal indicator lamp             | S42 | Windshield washer indicator lamp switch |
| e3  | High beam indicator lamp                     | S43 | Oil level indicator lamp switch         |
| e4  | Fuel reserve warning lamp                    | W1  | Main ground (behind instrument cluster) |
| e5  | Battery charge indicator lamp                | W2  | Ground, front right (next to lamp unit) |
| e6  | Brake pad wear indicator lamp                | X27 | Connector, starter wiring harness       |
| e7  | Brake fluid and parking brake indicator lamp | f   | Preglow time relay terminal La          |
| e8  | Instrument lighting                          |     |   |
| e11 | Coolant level indicator lamp                 |     |   |
| e12 | Oil level indicator lamp                     |     |   |
| e13 | Windshield washer level indicator lamp       |     |   |
| e14 | Exterior lamp failure indicator lamp         |     |   |
| e15 | Airbag indicator lamp (RS / SRS)             |     |   |
| e16 | Preglow indicator lamp                       |     |   |
| h1  | Warning buzzer                               |     |   |
| h2  | Audible turn signal indicator                |     |   |
| p1  | Coolant temperature gauge                    |     |   |
| p2  | Fuel gauge                                   |     |   |
| p3  | Oil pressure gauge                           |     |   |
| p7  | Electronic clock / tachometer                |     |   |

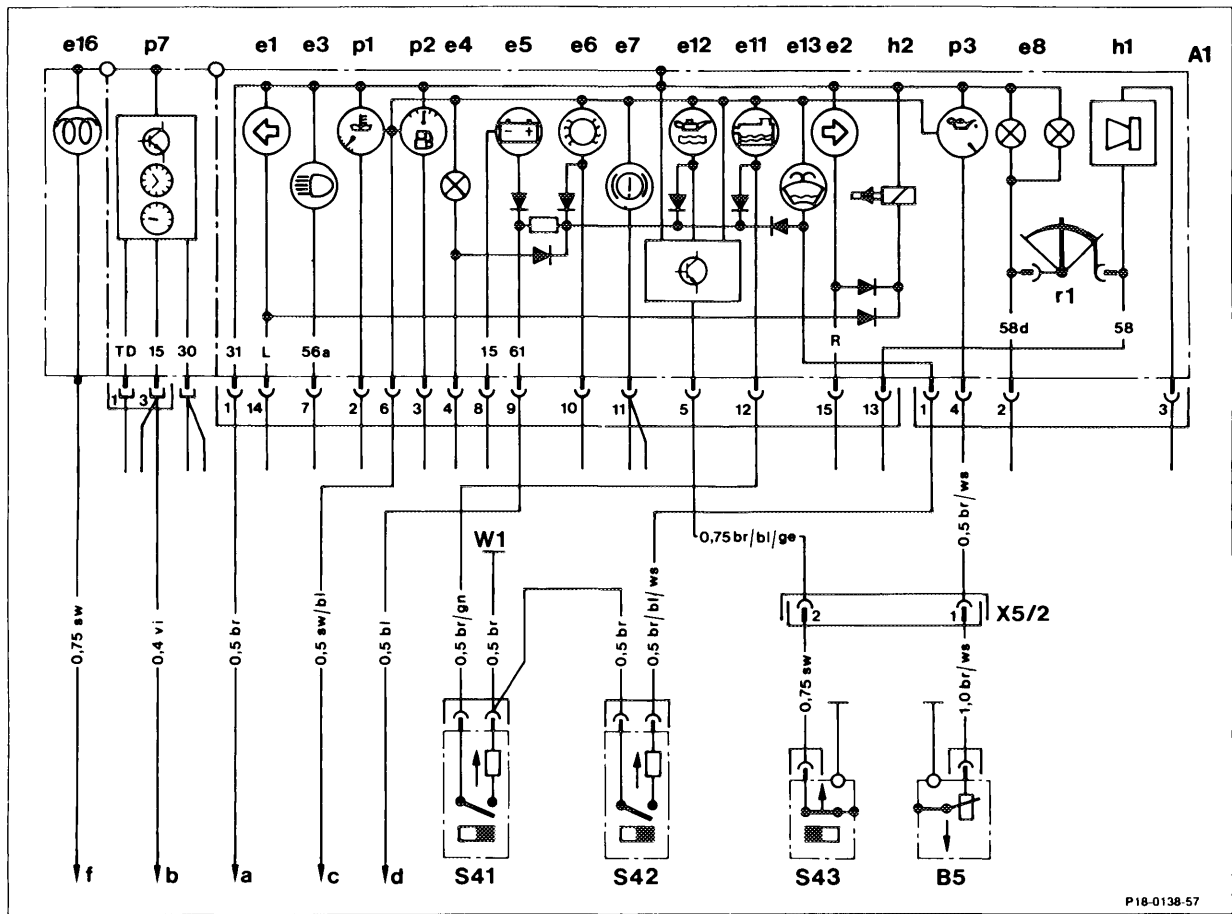
Model 126 1990



Wiring diagram engine oil level indicator, coolant level indicator, windshield washer level indicator (see Wiring Diagrams Volume 2 for further information)

- |     |  |         |  |
|-----|--|---------|--|
| A1  | Instrument cluster                           | B5      | Oil pressure gauge sensor                        |
| e1  | Left turn signal indicator lamp              | S10/2x1 | Connector, brake pad contact sensor, front right |
| e2  | Right turn signal indicator lamp             | S41     | Coolant level indicator lamp switch              |
| e3  | High beam indicator lamp                     | S42     | Windshield washer indicator lamp switch          |
| e4  | Fuel reserve warning lamp                    | S43     | Oil level indicator lamp switch                  |
| e5  | Battery charge indicator lamp                | W1      | Main ground (behind instrument cluster)          |
| e6  | Brake pad wear indicator lamp                | X27     | Connector, starter wiring harness                |
| e7  | Brake fluid and parking brake indicator lamp |         |  |
| e8  | Instrument lighting                          |         |  |
| e11 | Coolant level indicator lamp                 |         |  |
| e12 | Oil level indicator lamp                     |         |  |
| e13 | Windshield washer level indicator lamp       |         |  |
| e14 | Exterior lamp failure indicator lamp         |         |  |
| e15 | Airbag indicator lamp (RS / SRS)             |         |  |
| e16 | Preglow indicator lamp                       |         |  |
| h2  | Audible turn signal indicator                |         |  |
| p1  | Coolant temperature gauge                    |         |  |
| p2  | Fuel gauge                                   |         |  |
| p3  | Oil pressure gauge                           |         |  |
| p7  | Electronic clock / tachometer                |         |  |
| p8  | Electronic speedometer                       |         |  |
| V1  | Instrument lighting rheostat                 |         |  |

Model 201



P18-0138-57

Wiring diagram engine oil level indicator, coolant level indicator, windshield washer level indicator (see Wiring Diagrams Volume 5 for further information)

- |     |  |      |  |
|-----|--|------|--|
| A1  | Instrument cluster                           | B5   | Oil pressure gauge sensor                                      |
| e1  | Left turn signal indicator lamp              | S41  | Coolant level indicator lamp switch                            |
| e2  | Right turn signal indicator lamp             | S42  | Windscreen washer indicator lamp switch                        |
| e3  | High beam indicator lamp                     | S43  | Oil level indicator lamp switch                                |
| e4  | Fuel reserve warning lamp                    | W1   | Main ground (behind instrument cluster)                        |
| e5  | Battery charge indicator lamp                | X5/2 | Connector, interior/starter 4-pole                             |
| e6  | Brake pad wear indicator lamp                | a    | Main ground (behind instrument cluster) W1                     |
| e7  | Brake fluid and parking brake indicator lamp | b    | Electrical center connector contact 15 terminal 15 unprotected |
| e8  | Instrument lighting                          | c    | Electrical center connector D contact 2 terminal 15 fuse 8     |
| e11 | Coolant level indicator lamp                 | d    | Electrical center connector D contact 8 alternator terminal 61 |
| e12 | Oil level indicator lamp                     | f    | Preglow time relay   |
| e13 | Windshield washer level indicator lamp       |      |  |
| e16 | Preglow indicator lamp                       |      |  |
| h1  | Warning buzzer                               |      |  |
| h2  | Audible turn signal indicator                |      |  |
| p1  | Coolant temperature gauge                    |      |  |
| p2  | Fuel gauge                                   |      |  |
| p3  | Oil pressure gauge                           |      |  |
| p6  | Electronic clock                             |      |  |