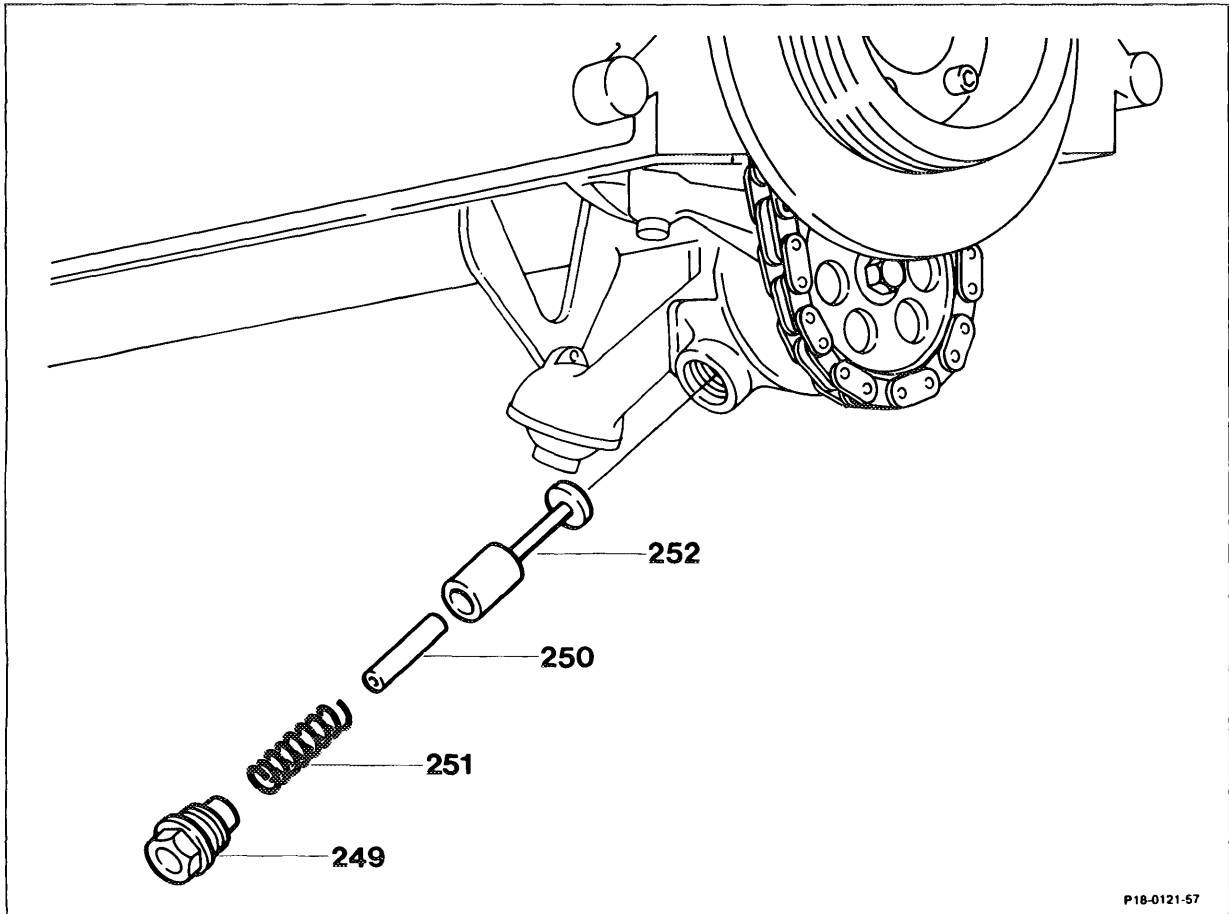


18-215 Removal and installation of oil pressure relief valve

Preceding work:
Oil pan removed (01-310).



Screw plug (249)

Caution!

The screw plug is spring-tensioned. Unbolt, install, 50 Nm.
Replace seal.

Guide pin (250), compression spring (251) and piston (252)

remove, install.

Special tool

