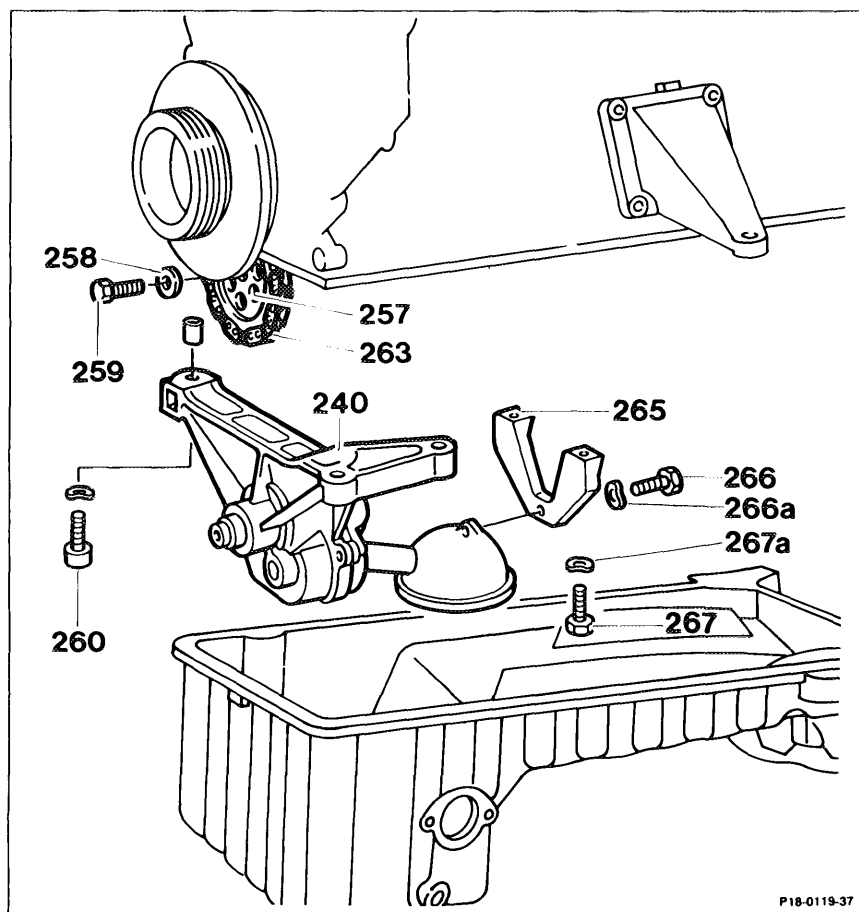


## 18-210 Removal and installation of oil pump

Preceding work:

Oil sump removed (01-310A).

Front axle housing removed (01-310B).



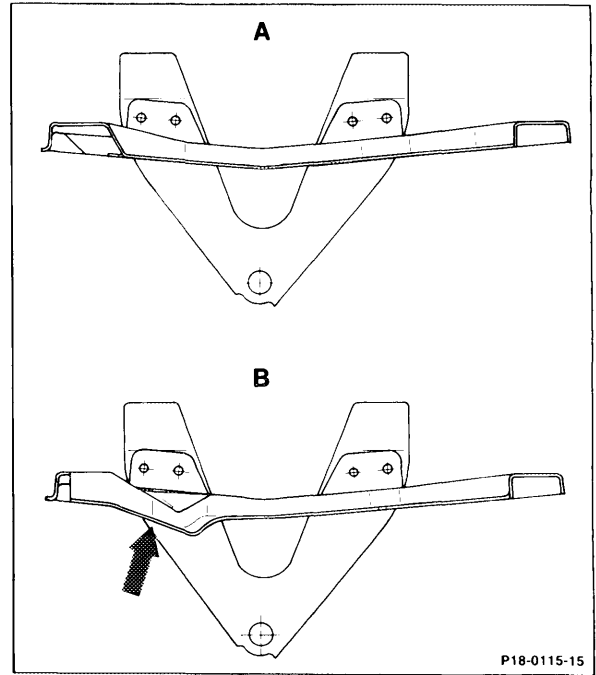
### Engines 602 and 603

Support (265) .....	unbolt from oil pump pickup, screw on, hex. bolt (266, 267), 10 Nm.
Oil pump (240) .....	detach, attach, hex. socket screws (260), 25 Nm.

**Notes**

**Modification to shape of oil deflector plate**

The vibration properties have been improved by modifying the shape of the oil deflector plate (arrow).



A 1st version  
B 2nd version

**Production breakpoint: 04/87**

Model	Engine	Engine End No.		Vehicle Ident End No.	
		manual transmission	automatic transmission	A	F
201.128	602.961	-	001144	*	*

\* not registered

**Production modification of oil pump chain**

An oil pump chain with open sleeves is fitted to reduce wear.

**Production breakpoint: 06/88**

Model	Engine	Engine End No.		Vehicle Ident End No.	
		manual transmission	automatic transmission	A	F
201.126	602.911	020788	005193		239528

\* not registered

### Oil pump, engine 603.96

Since 01.90 oil pumps with relief groove for preventing noise have been fitted to these engines.

#### Production breakpoint: 01/90

Model	Engine	Engine End No.		Vehicle Ident End No.	
		manual transmission	automatic transmission	A	F
124.133 124.193	603.960	025426	025426	*	*

\* not registered

### Oil pump chain

#### Engines 602 and 603

Since 03.90 oil pump chains made by the manufacturer Daido have been installed.

#### Production breakpoint: 03/90

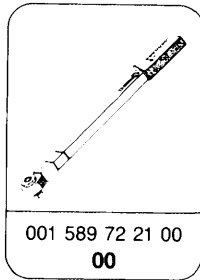
Model	Engine	Engine End No.		Vehicle Ident End No.	
		manual transmission	automatic transmission	A	F
124.128	602.962	002924	004724	*	*
124.133 124.193	603.960	-	026253	*	*
126.135	603.970	-	000070	*	*
201.126	602.911	089224	017337	*	*
201.128	602.961	001751	007791	*	*

\* not registered

### Tightening torques

	Nm
Hex. bolt of sprocket wheel	25
Hex. socket screws of oil pump	25
Hex. bolts of intake manifold bracket (engine 602, 603)	25

## Special tools



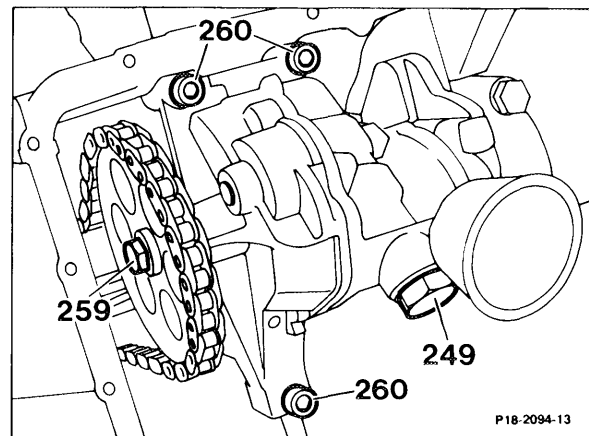
## Removal and installation

1 Unbolt hex. bolt (259) and remove sprocket wheel from chain.

### Installation instruction

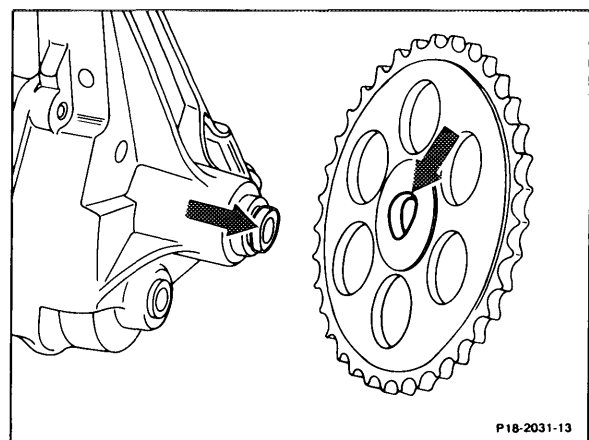
Tightening torque 25 Nm.

249	Oil overpressure valve screw plug
260	Hex. socket screws



### Installation instruction

Tightening torque 25 Nm. Install sprocket wheel so that the curvature is facing the oil pump (arrows).



### Engines 602 and 603

2 Unbolt hex. bolt (266) at the support (265) of the oil pump pickup.

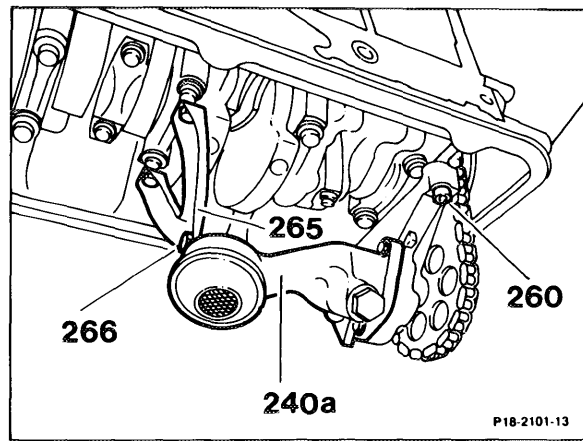
#### Installation instruction

Tightening torque 25 Nm.

3 Unscrew hex. socket screws (260) of the oil pump (240a) and remove oil pump.

#### Installation instruction

Tightening torque 25 Nm.



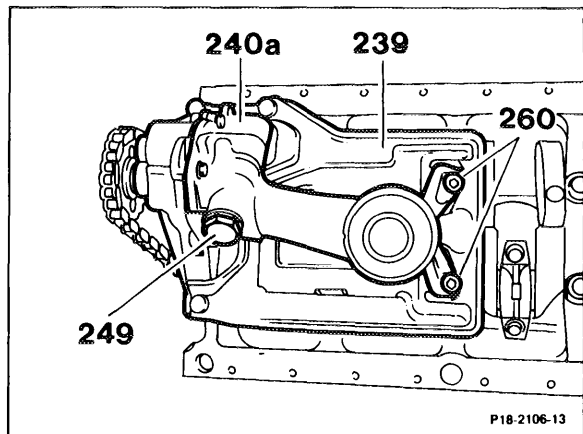
### Engine 602.96 and 603.970

4 Unscrew other hex. socket screws (260) and remove oil deflector plate (239).

#### Installation instruction

Tightening torque 25 Nm.

Engine 602.96  
240a Oil pump  
249 Oil overpressure  
valve screw plug



5 Installation is performed in the reverse order.

Engine 603.97

