

18-115 Modifications to oil filter

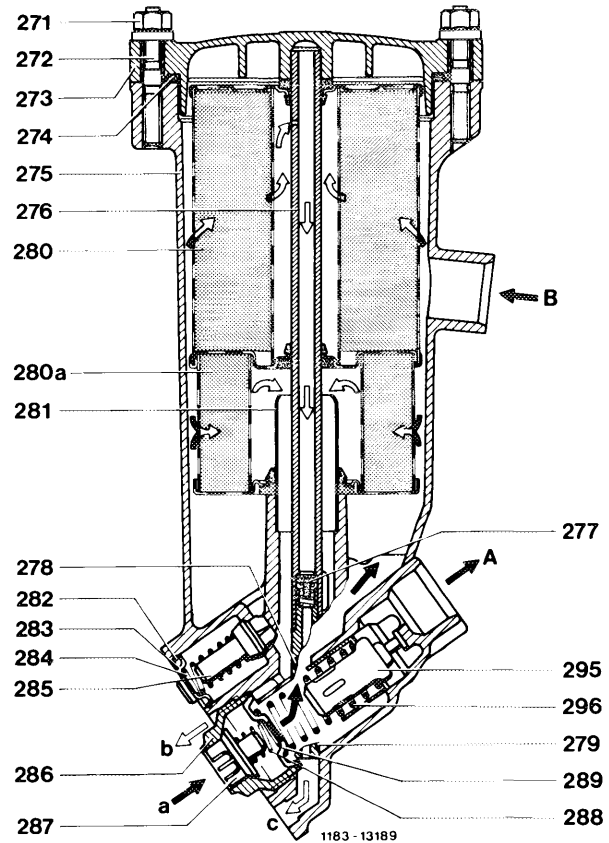
Engine 603.960 in model 124.133/.93, Model Year 1987

The oil filter housing has a thermostat (295) between the engine and the oil cooler for controlling the oil cooling.

Start of opening: approx. 110°C oil temperature.
Fully opened: approx. 125°C oil temperature.

With the thermostat fully opened, a small quantity of oil will continue to flow to the oil filter element.

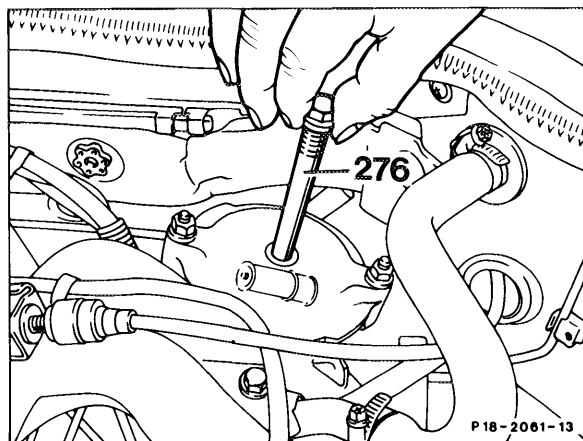
The oil cooler lines on the oil filter are sealed by O-rings (previously screw connections with conical seal).



271	Nut, M 8	286	Valve seat return flow check valve
272	Stud, M 8	287	Valve cone return flow check valve
273	Cover	288	Compression spring
274	O-ring	289	Spring seat
275	Housing	295	Thermostat
276	Return tube	296	Spring
277	Check valve	a	Supply from oil pump
278	O-ring	b	To bearings
279	O-ring	c	Return to oil pan
280	Oil filter element	A	Unfiltered oil to oil cooler
280a	Full flow filter section	B	Unfiltered oil from oil cooler
281	Riser		
282	Retaining ring		
283	Spring seat		
284	Spring		
285	Valve cone bypass va		

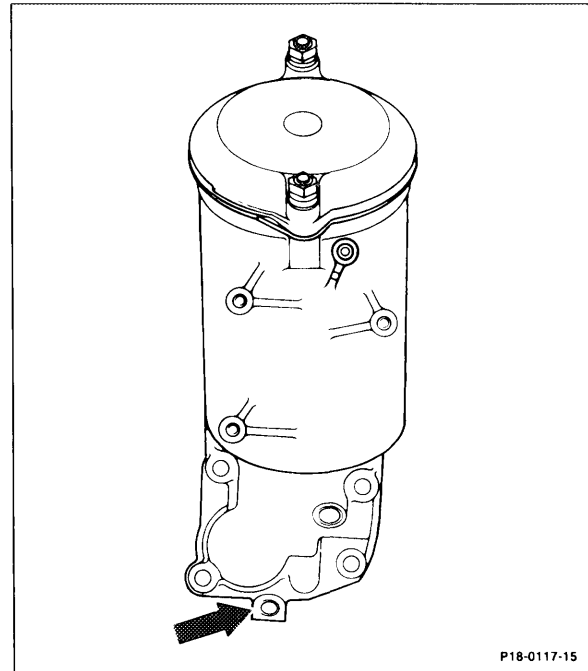
Oil filter cover with removable oil return pipe (only engine 603 in model 124)

The oil filter cover has been modified. The return pipe (276) can be removed. This facilitates the oil change.



Elimination of thread on hole for initial filling

The tapped hole with M 10 x 1 screw plug at the hole for initial filling (arrow) has been modified into a fit hole with ball (8 mm dia.).



P18-0117-15

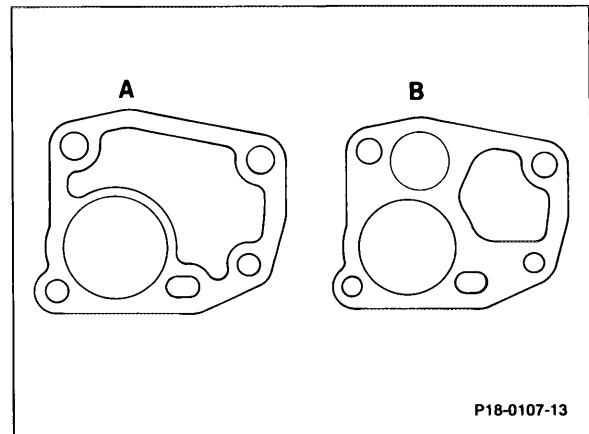
Production breakpoint: 04/86

Model	Engine	Engine End No.		Vehicle Ident End No.	
		manual transmission	automatic transmission	A	F
201.126	602.911	018365	004576	*	*

* not registered

Modification of shape of gasket between oil filter housing and crankcase

The new gasket is pierced only in the area of the supply and return lines. This achieves improved sealing.



A 1st version
B 2nd version

P18-0107-13

Production breakpoint: 07/87

Model	Engine	Engine End No.		Vehicle Ident End No.	
		manual transmission	automatic transmission	A	F
124.133 124.193	603.960	-	013653	*	*
126.125	603.961	-	013409	*	*
201.126	602.911	046779	010562	*	*
201.128	602.961	-	001540	*	*

* not registered