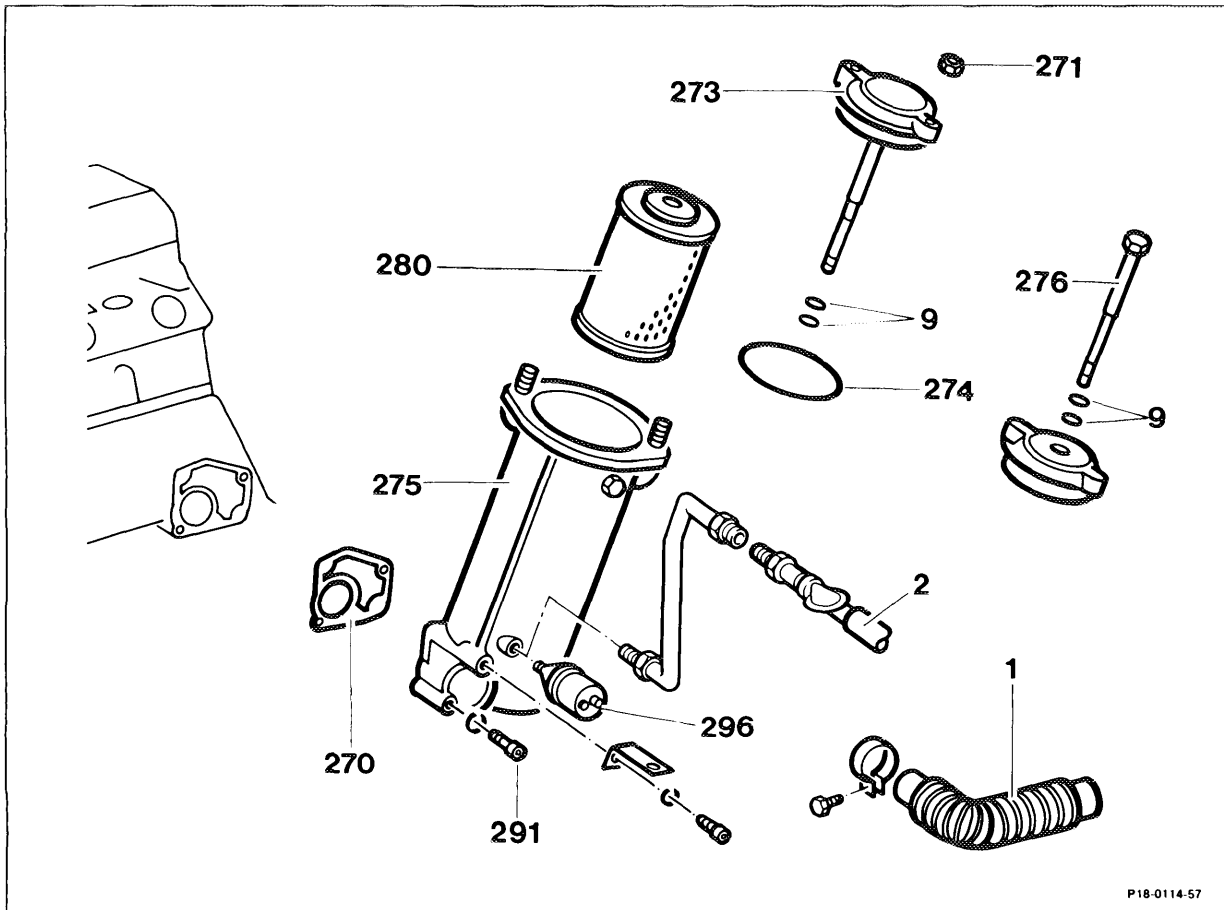


18-110 Removal and installation of oil filter

Preceding work:
Naturally aspirated engine: air filter removed (09-400).



P18-0114-57

Hex. nuts (271)	on oil filter cover (273), unbolt, bolt on, 25 Nm.
Oil filter cover (273)	remove, refit.
Gasket (274) and seals (9)	remove, insert. Replace gasket and seals.

Engine 603

Return pipe (276)	on oil filter cover, unscrew, screw in, 25 Nm. Replace seals (9).
Oil filter element (280)	withdraw, insert.
Bracket or clips	for starter cable, heater return and vacuum line to oil filter housing, detach, attach.

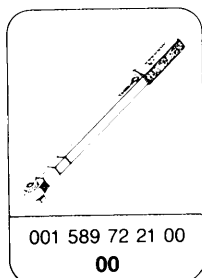
Engine with exhaust gas recirculation

Pipe (1)	between EGR valve and intake manifold or charge air distribution pipe, detach from oil filter housing, attach.
Oil delivery line (2)	unbolt, reinstall.
Electrical connection	detach from oil pressure sensor (296), attach.
With air-to-oil cooler	
Connection line	detach from oil filter housing, attach. Replace seal.
Hex. socket screws (291)	on flange of oil filter housing (275), unscrew, screw in, 25 Nm.
Oil filter housing (275)	take off from crankcase together with gasket (270), attach. Replace gasket. Caution! Seal bores when cleaning sealing surfaces on crankcase.

Tightening torques

	Nm
Oil filter cover hex. nut	25
Return pipe	25

Special tool



Removal and installation

1 Unscrew hex. nuts (arrows) on oil filter cover.

Installation instruction

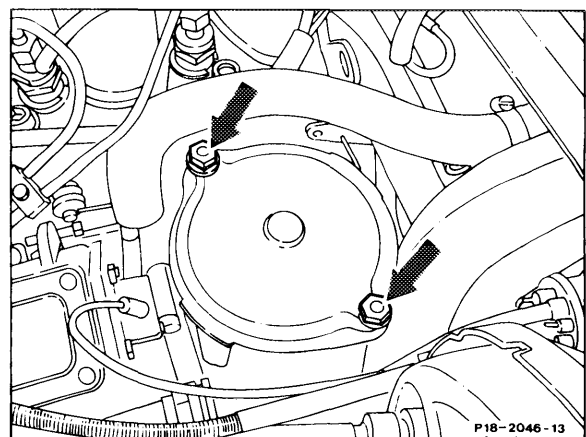
Tightening torque 25 Nm.

2 Take off oil filter cover together with seal.

Installation instruction

Replace seal of oil filter cover.

Check clear passage of return pipe.



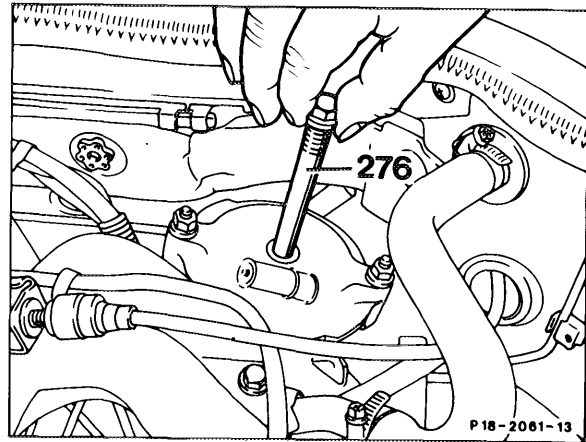
Engine 603

3 Unbolt return pipe (276) and remove, 25 Nm.

Installation instruction

Replace seals.

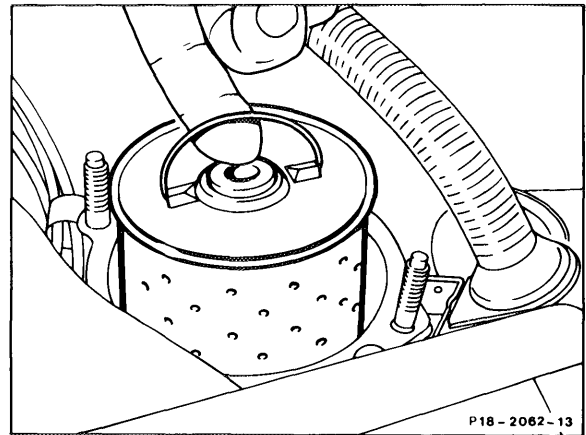
Check that the passage of return pipe is clear.



4 Withdraw oil filter element.

Installation instruction

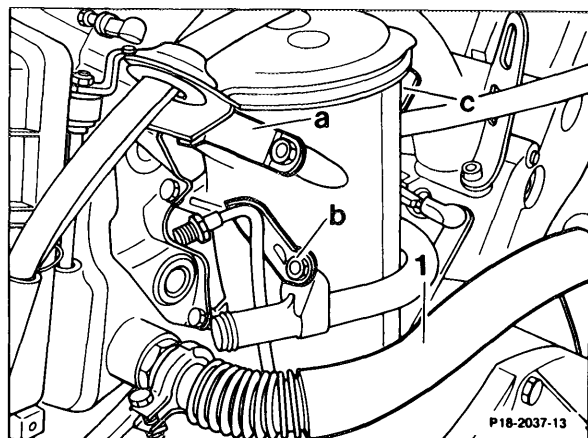
Replace oil filter element.



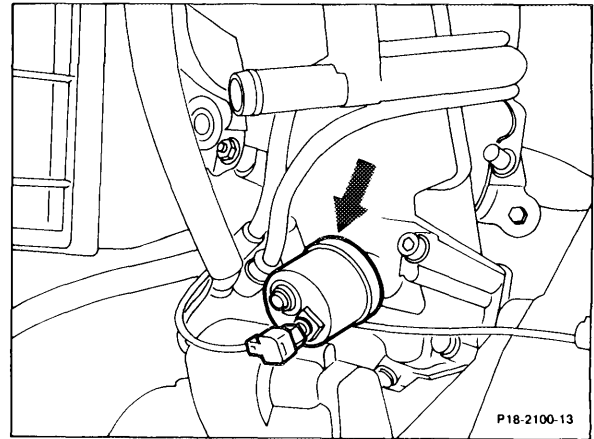
5 Remove brackets (a, b) for starter cable and heater return pipe along with clip (c) for the vacuum line from the oil filter housing.

Engine with exhaust gas recirculation

Remove pipe (1) between EGR valve and intake manifold or charge air distribution pipe from the oil filter housing.



6 Detach electrical connection at oil pressure sensor (arrow).



With air-to-oil cooler

7 Unscrew hex. socket screws (266) and remove connection line (264) from the oil filter housing (275).

Installation instruction

Replace seal (265).

8 Unscrew hex. socket screws at the flange of the oil filter housing.

9 Remove oil filter housing together with gasket from the crankcase and seal connection bore in the crankcase.

Installation instruction

Clean mating surfaces and replace gasket.

