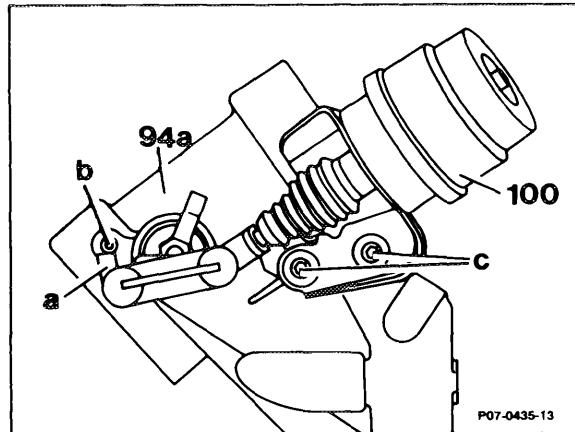


14-200 Removal and Installation of vacuum unit pressure control flap 1990  
- Turbodiesel

---

Engine 602.962



- |                         |  |
|-------------------------|--|
| Vacuum unit (100) ..... | remove, install.   |
| Bolts (c) .....         | tighten slightly.  |
| Vacuum unit (100) ..... | pressurize with $385 \pm 5$ mbar vacuum and slide into the elongated holes until the lever (a) contacts the stop (b).<br>Tighten bolts (c) in this position.<br>Bleed vacuum unit and repeat test, correcting the setting if required. |