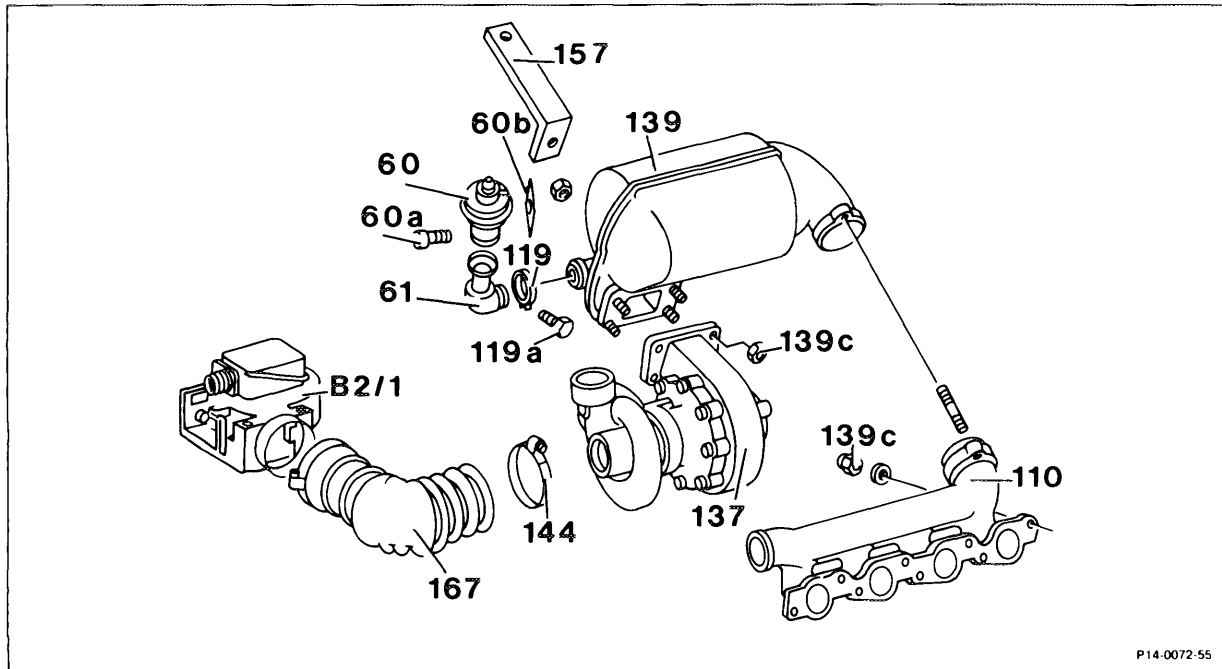


14-100 Removal and installation of trap oxidizer - Turbodiesel



P14-0072-55

Vehicle	drive onto inspection platform or pit.
Bottom section of noise encapsulation	attach, detach (Model 124 only).
Air cleaner	remove, install (09-400).
Hose clip (144)	loosen at air flow sensor (B2/1) and detach intake hose (167), fit on.
Partition wall between trap oxidizer and air cleaner	remove, install (9 bolts) of which 6 are accessible from above, 3 accessible from below (refer to instruction).
Vacuum line red/violet/brown on EGR valve (60) and red/violet/blue on air recirculation valve	detach, fit on.
Clip (119) on corrugated pipe (61)	loosen, tighten.
EGR valve (60)	remove, install.
Trap oxidizer (139) on exhaust manifold (110)	unbolt, bolt on.
Supporting bracket	unbolt, bolt on and remove at the same time as trap oxidizer.

Bracket (157)	remove, install.
Sealing surfaces	clean.
Gasket (60 b)	replace.
Screw (60 a) 2 off	install, tightening torque 25 Nm.
Bolt for clip (119 a)	
Nut (139 c, 6 off M10)	install, tightening torque 45 Nm.

Note

Remove, install partition wall (A) (9 bolts), of which 6 are accessible from above and 3 are accessible from below.

