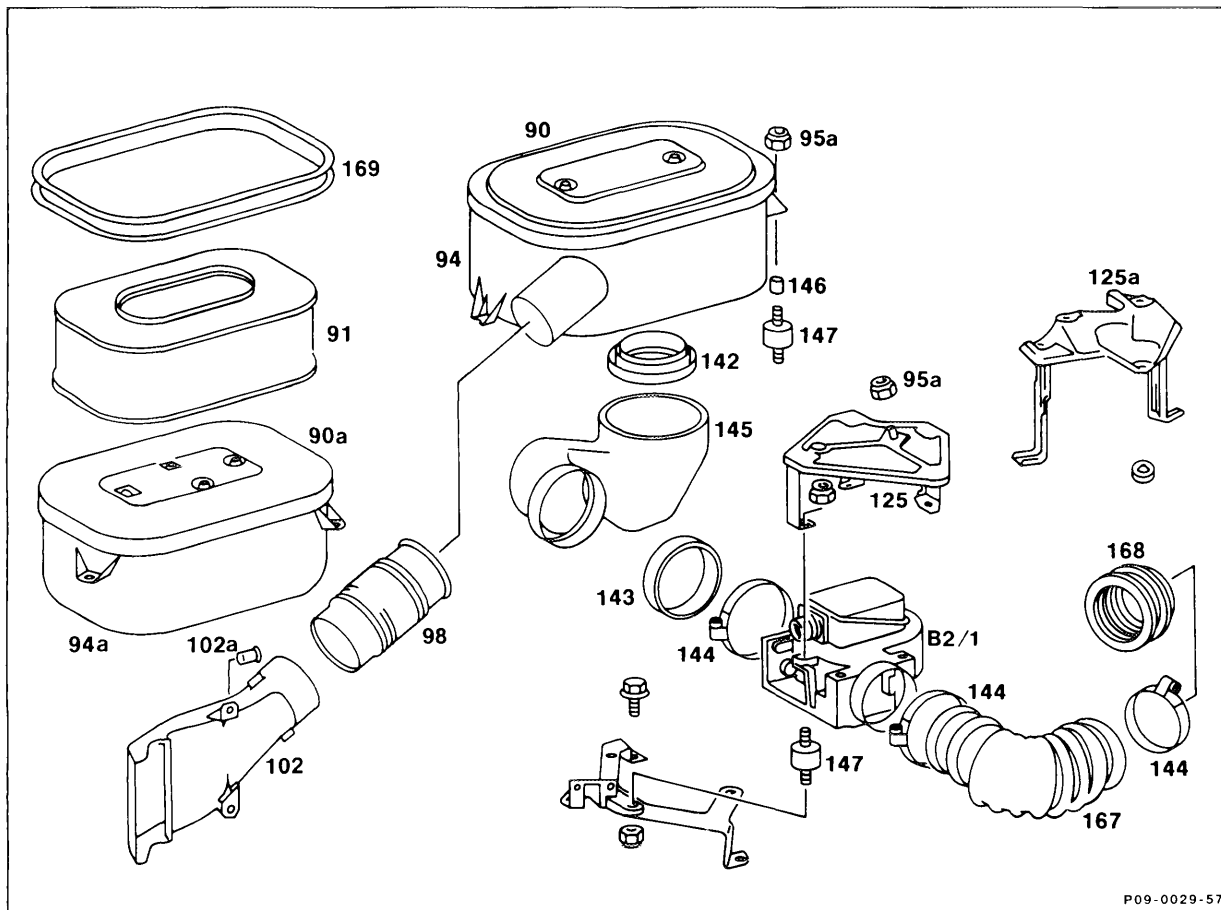


A. Models 124, 126

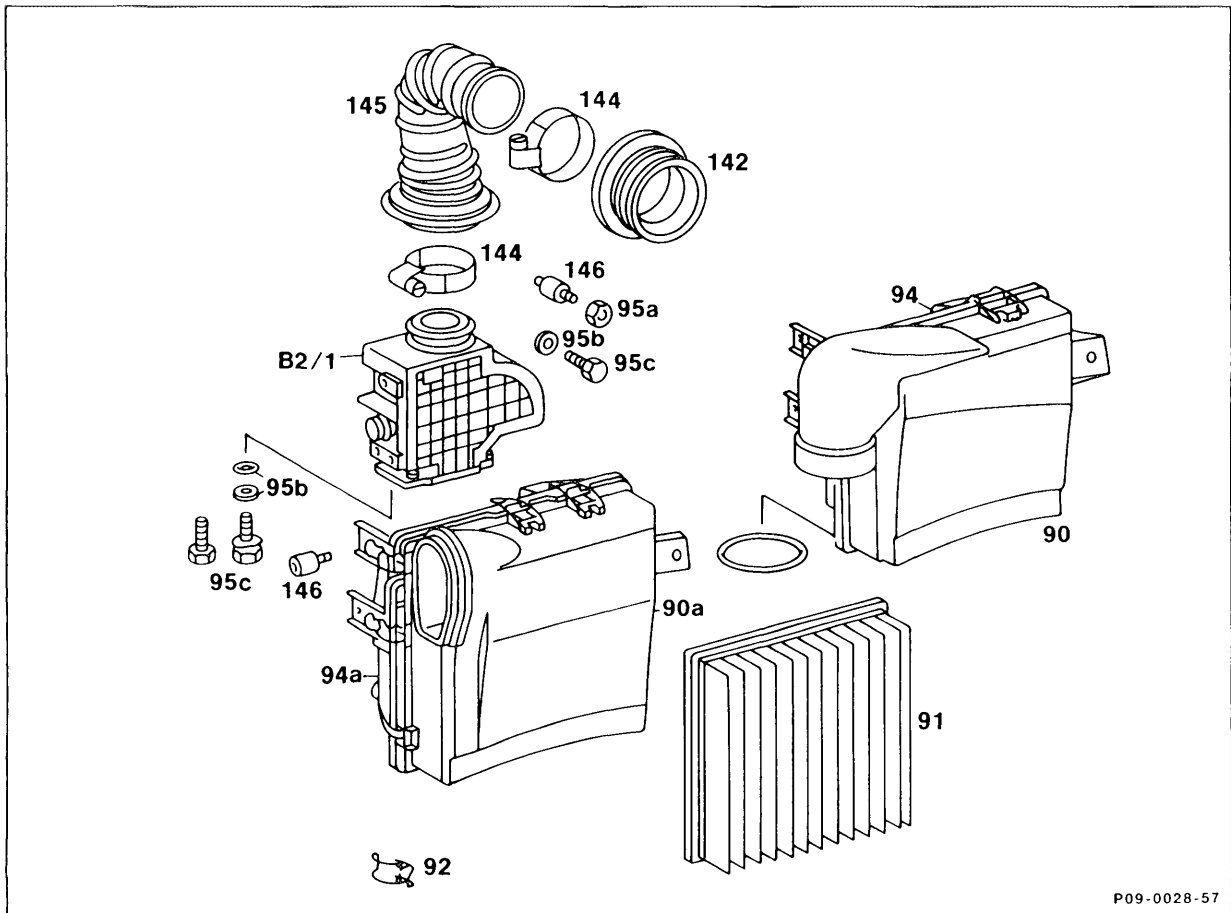


P09-0029-57

Air cleaner element (91)	remove, install.
Air cleaner cover (90) Model 126	remove, install.
Air guide housing (94) Model 126	remove, install. Ensure correct position.
Cup seal (142)	remove, install.
Sealing ring (143)	remove, install.
Hose strap (144)	remove, install.
Air flow sensor (B2/1)	remove, install.

Stopper (147) (3 off) . . . . .	replace depending on condition.
Nut (95 a) (3 off) . . . . .	bolt on, unbolt.
Spacer tube (146) (3 off) . . . . .	remove, install.
Intake pipe air line (145) . . . . .	remove, install.
Intake line (98) . . . . .	remove, install.
Intake scoop (102) . . . . .	remove, install.
Pin (102 a) . . . . .	unclip, clip in place.
Mounting bracket (125) . . . . .	remove, install.
Air cleaner cover (90 a) Model 124 . . . . .	remove, install.
Air guide housing (94 a) Model 124 . . . . .	remove, install.
Intake hose (167) . . . . .	remove, install.
Cup seal (168) . . . . .	remove, install.
Packing (169) . . . . .	ensure correct position.
Supporting bracket (125) (without air flow sensor) . . . . .	remove, install.
Supporting bracket (125 a) (with air flow sensor) . . . . .	remove, install.

## B. Model 201



P09-0028-57

Air cleaner element (91)	remove, install. Ensure correct position during installation.
Air cleaner cover (90)	remove, install.
Air guide housing (94)	remove, install.
Air guide housing (94 a)	remove, install.
Cup seal (142)	remove, install.
Hose strap (144)	slacken, tighten, remove, install.
Intake pipe air line (145)	remove, install.
Stopper (146)	renew according to condition.
Nut (95 a)	bolt on, unbolt.
Air flow sensor (B2/1)	remove, install.
Wire clip (92)	unclip, clip in place.
Air cleaner cover (90 a)	remove, install.
Washer (95 b)	remove, install.
Bolt (95 c)	remove, install.

**Repair Instruction**

When the engine is running, the fender cover (right) must be removed, otherwise the fresh air intake (arrow) is blocked.

