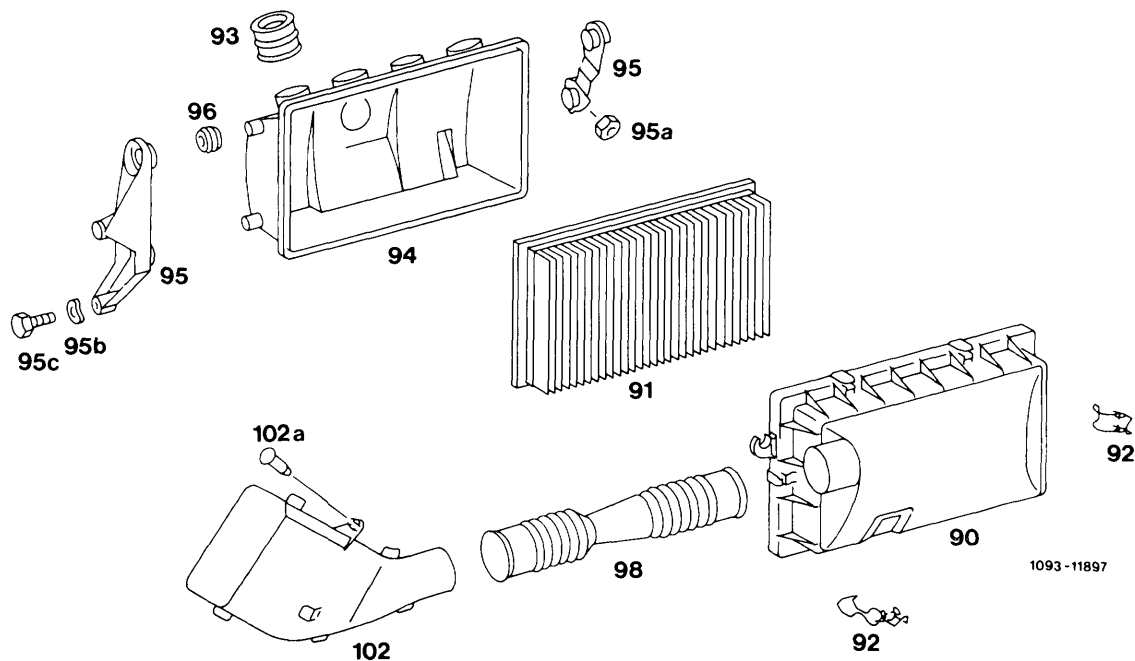


A. Standard version and Federal as of 1984



Suction line (98)	installation position.
Closing catch, 6 off (92)	open, close.
Air cleaner cover (90)	remove, reinstall.
Air cleaner filter element (91)	remove, reinstall.
Nut (95a)	remove, reinstall.
Washer (95b)	remove, reinstall.
Bolt (95c)	remove, reinstall.
Bracket, 2 off (95)	remove, reinstall.
Air guide housing (94)	remove, reinstall.
Sealing boot (93)	remove, reinstall, ensure proper seating.
Rubber, 4 off (96)	replace according to condition.
Intake scoop (102)	remove, reinstall.
Pin (102a)	replace according to condition.

Engine 602.91

Air cleaner cover (90) and filter element (91) of revised material.

Production breakpoint: December 1989

Model	Engine	Engine end no.	Engine end no.
		Manual transmission	Automatic transmission
201.126	602.911	086698	016956