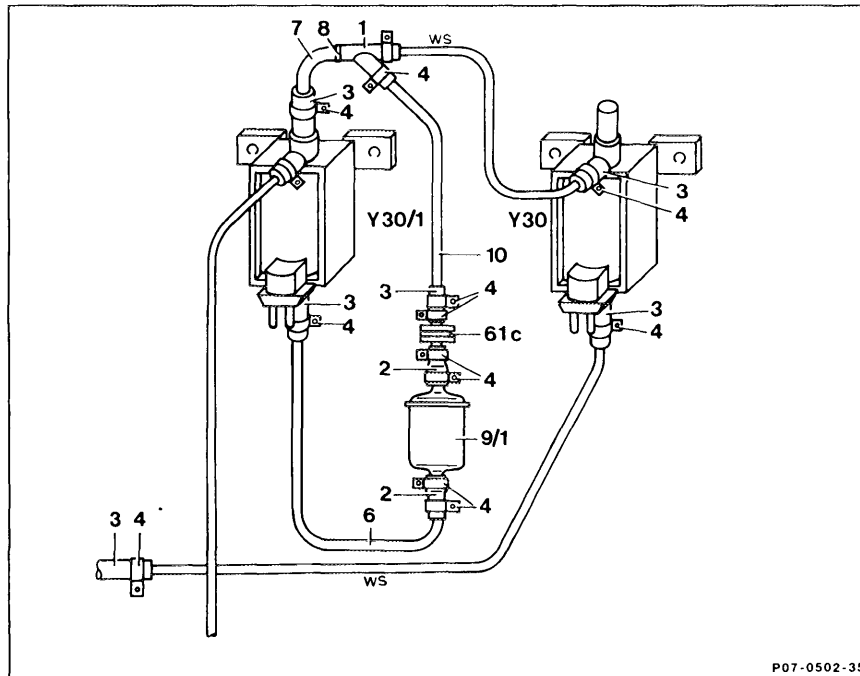


## 07.1-250 Retrofitting damper with restriction orifice - Turbodiesel

---



### Engine 603.96

A damper with restriction orifice can be retrofitted to prevent cruise control surging on hills at engine speeds between 2000 and 3000 rpm.

## Parts listing

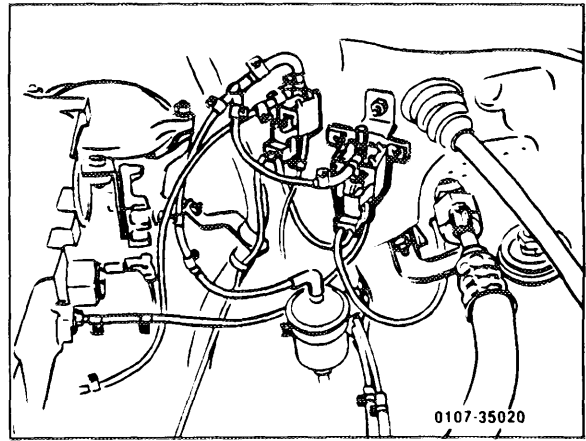
Figure Item	Quantity	Designation	Part No.
1	1	Y distributor	601 078 02 45
2	2	Reducer	117 078 03 81
3	4	Rubber hose approx. 40 mm long	117 997 09 82
4	12	Hose clip 0.8 mm	916 002 008 100
61c	1	Restriction 0.3 mm (red)	000 078 03 56
6	1	Tecalan tube (white) approx. 400 mm long	000 158 14 35
Y30/1	1	3/2 solenoid switch-over valve	001 540 86 97
7	1	Bend	117 078 05 81
8	1	Connector	116 276 09 29
	2	Bushes	003 545 26 26
	2	Hose clips 11 mm	916 033 011 100
9	1	2-pin connector, switch-over valve	011 545 71 28
9/1	1	Accumulator	000 078 19 68
	1	Hose strap	002 997 09 90
10	1	Tecalan tube approx. 600 mm long white	000 158 14 35
	1	Cable 0.75 approx. 200 mm long	commercial
	1	Cable 0.75 approx. 900 mm long	commercial
	1	Cable 0.75 approx. 900 mm long	commercial

**Scope of work**

1 Install solenoid switchover valve (Y30/1).

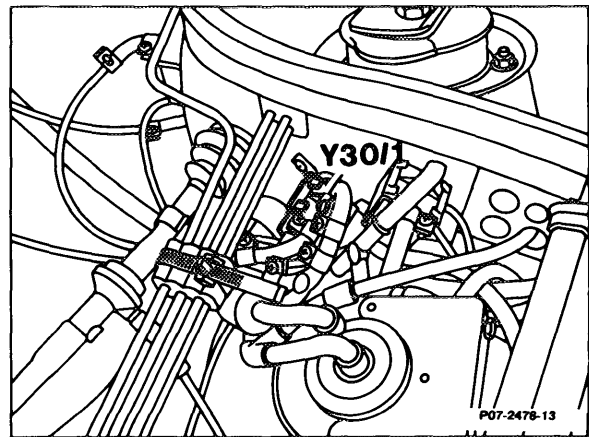
a) Model 126

Install solenoid switchover valve (Y30/1) on the intermediate panel next to the switchover valve (Y29).

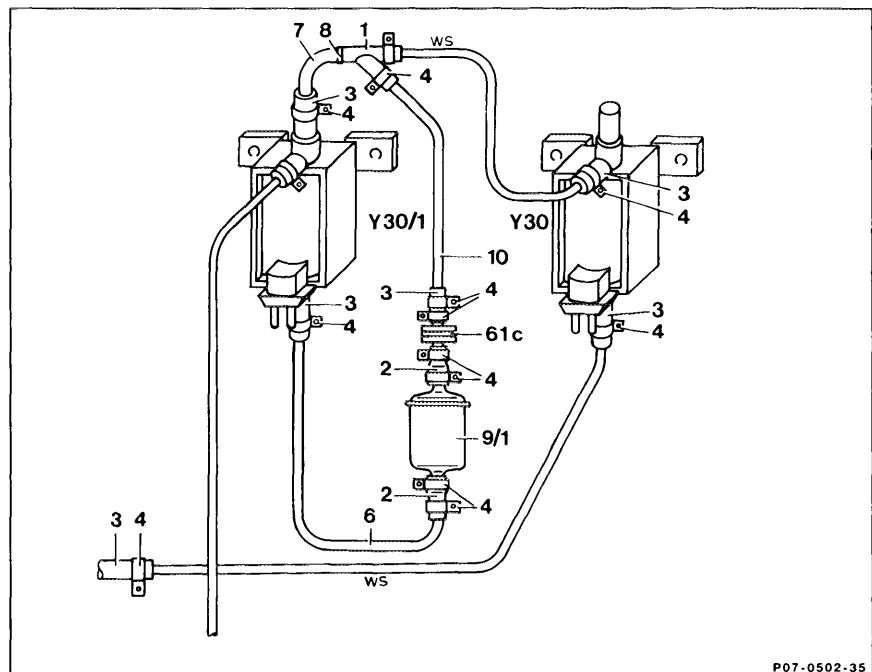


b) Model 124

On Model 124, the switchover valve (Y29) must be moved to the right.



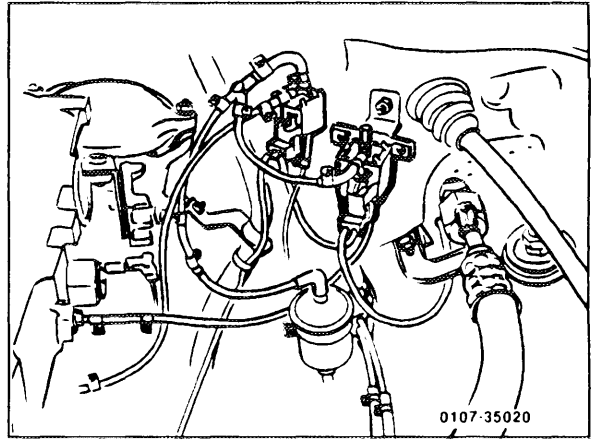
2 Fit out delivery lines as shown in the illustration opposite.



3 Install delivery lines with accumulator (9/1).

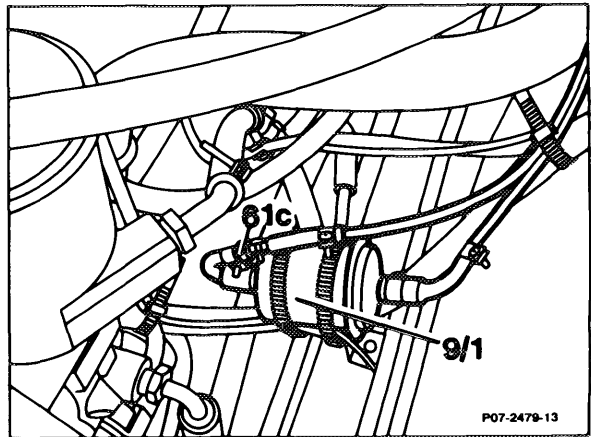
a) Model 126

Attach delivery lines with accumulator (9/1) on Model 126 to fuel line bracket with hose strap.

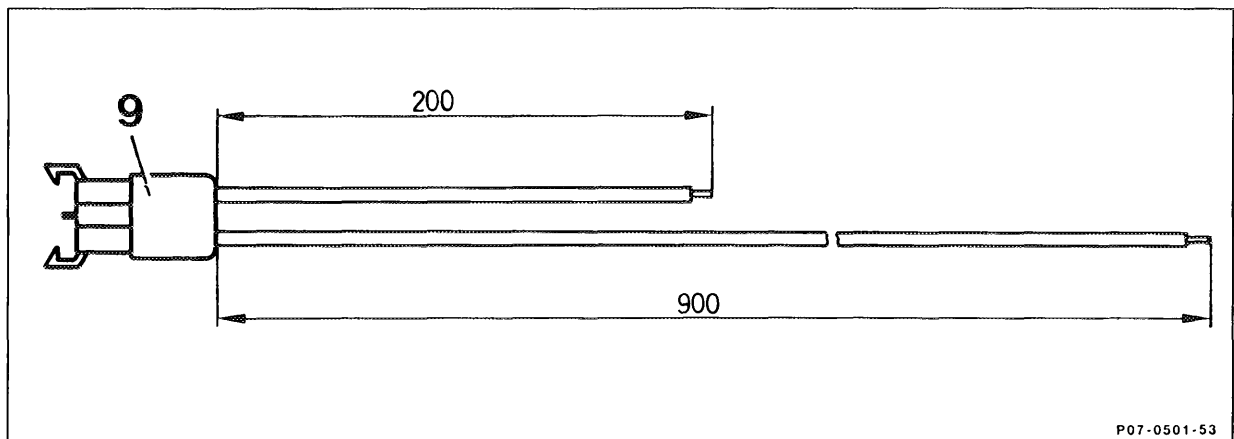


b) Model 124

Attach accumulator (9/1) to bracket of preglow cable harness with hose strap.

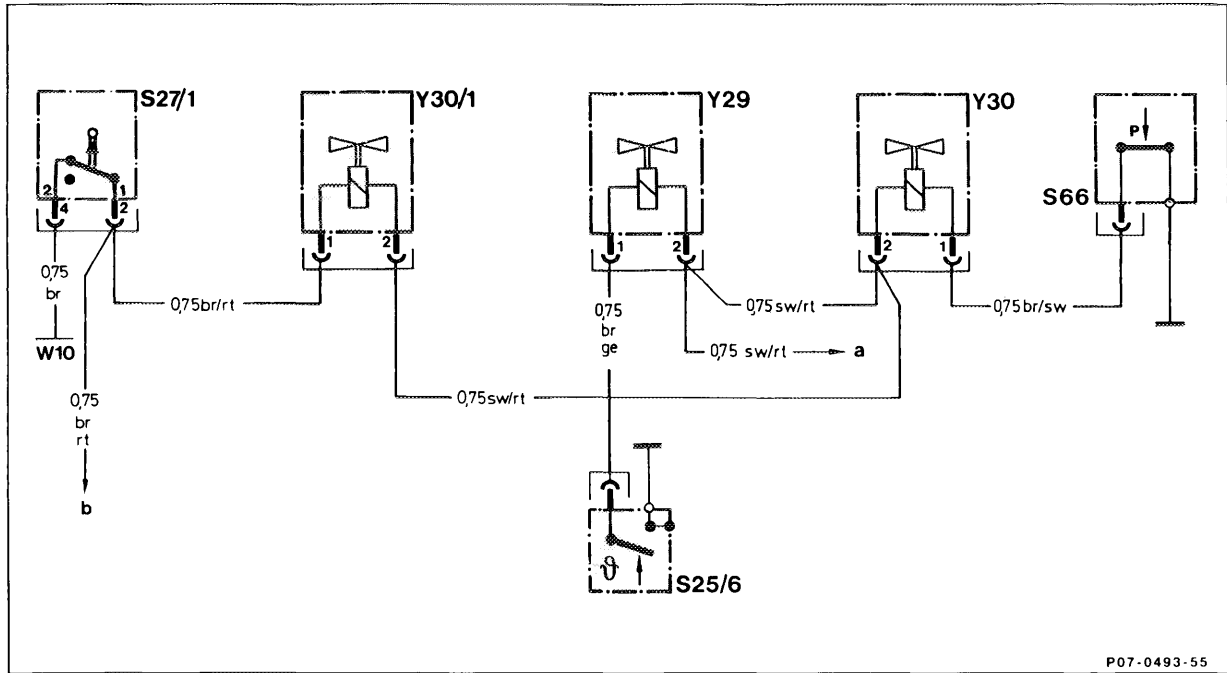


4 Make electric cable harness as shown in the drawing below.



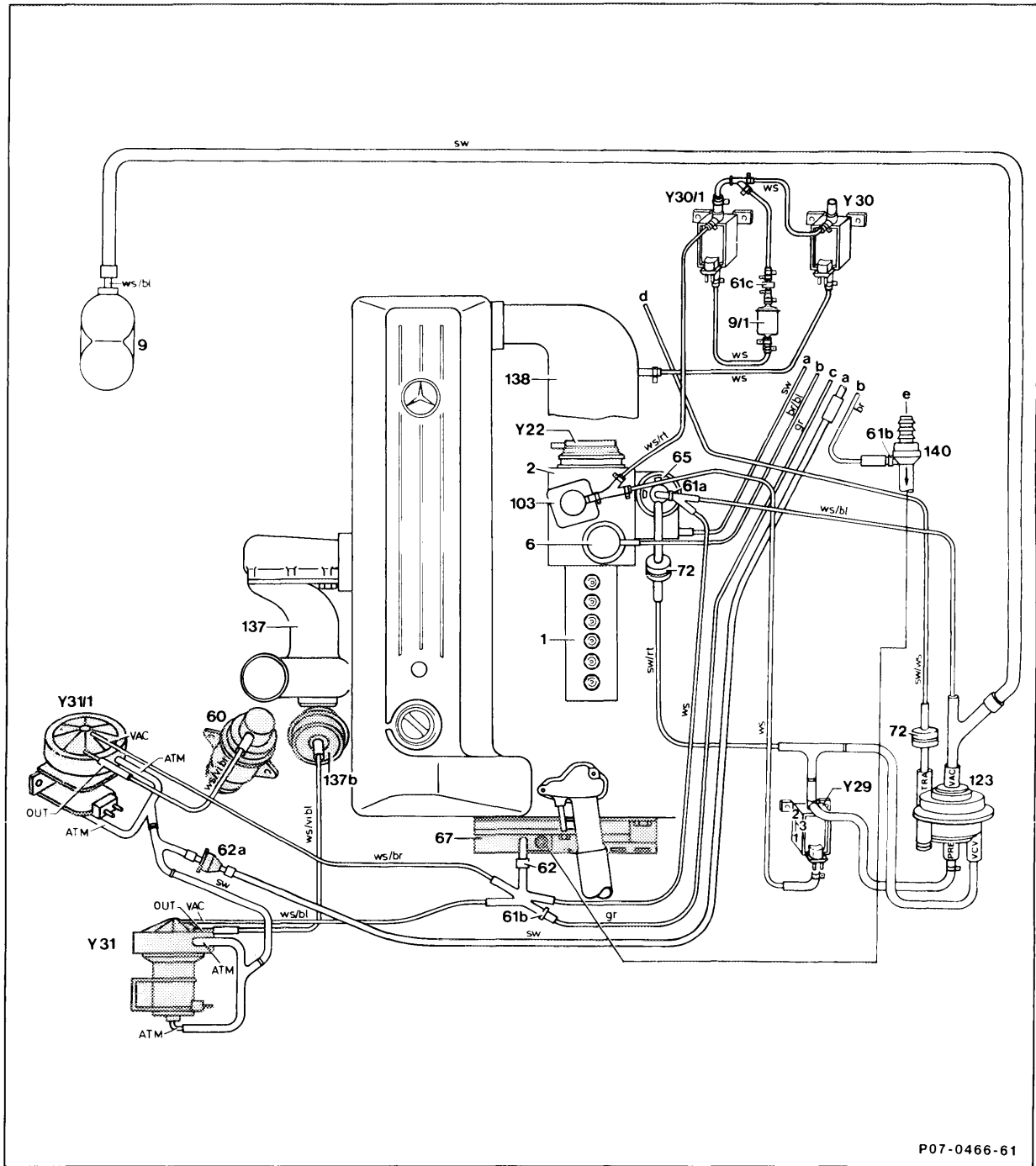
Solder on electric cables as shown in wiring diagram: short cable to contact 2 brown/red of switchover valve (Y30). Long cable to contact 1 brown/red of microswitch (S27/1).

Plug 2-pin connector onto switchover valve.



**Wiring diagram**

Y30	Solenoid switch-over valve, engine overload protection	Y29	Vacuum amplifier switchover valve, (diesel with automatic transmission).
Y30/1	Solenoid switchover valve	a	to control unit (N6) contact 5
S25/6	50°C temperature switch	b	to control unit (N6) contact 4
S27/1	Microswitch		
S66	Switch, engine overload protection (1.2 bar)		



## Vacuum line routing (California Engine 603.96, Models 124 and 126)

1	Injection pump	a	Fresh air flow to car interior
2	Governor	b	Key operated engine stop
6	Vacuum unit	c	Other ancillaries
60	Exhaust gas recirculation valve	d	Vacuum unit, automatic transmission
61a	Restriction blue	e	Brake booster
61b	Restriction orange		Pressure and vacuum connections at vacuum transducer or vacuum amplifier
61c	Restriction		
61d	Restriction	PRE	Charge pressure from ALDA unit
62	Filter	TRA	To vacuum unit, automatic transmission
62a	Filter	VAC	Vacuum from vacuum pump
62c	Air admission filter	VCV	To vacuum control valve
65	Vacuum control valve	ATM	Fresh air supply to car interior
67	Vacuum pump	ARF	Exhaust gas recirculation to exhaust gas recirculation valve or air recirculation valve
72	Damper		
103	ALDA unit		
123	Vacuum amplifier		
137	Exhaust gas turbocharger		
137b	Recirculation air valve		
138	Charge air distribution pipe		
140	Check valve, brake booster		
Y22	ELR actuator		
Y29	Switch-over valve, vacuum amplifier for automatic transmission		
Y30	Switchover valve, engine overload protection		
Y31	Vacuum transducer, air recirculation valve		
Y31/1	Vacuum transducer (EGR)		