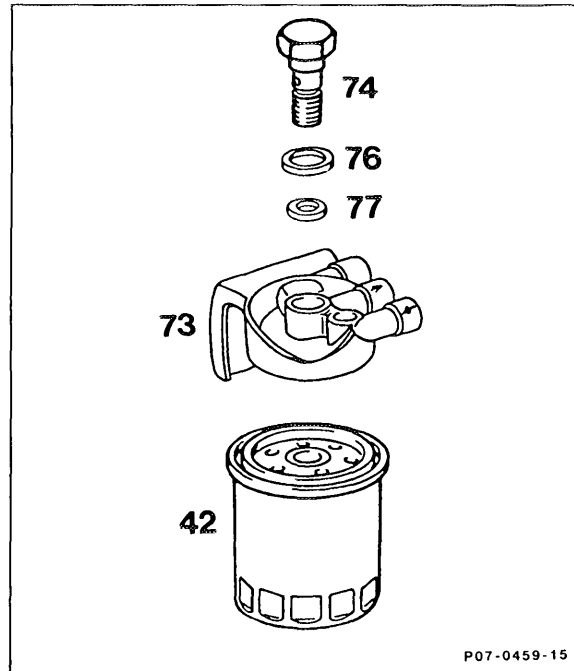


07.1-245 Replacing fuel filter - Turbodiesel



Bolt (74)	remove, install.
O-ring (76)	replace.
O-ring (77)	replace.
Filter (42)	withdraw downwards, replace.
Fuel filter top section (73)	check that restriction orifice 0.8 mm (on return line) is clear.
Leakage	check (with engine running).

Note

When the engine is started, the fuel system is bled automatically as a result of the high output of the fuel pump and the restriction orifices in the top section of the filter as well as at the injection pump.