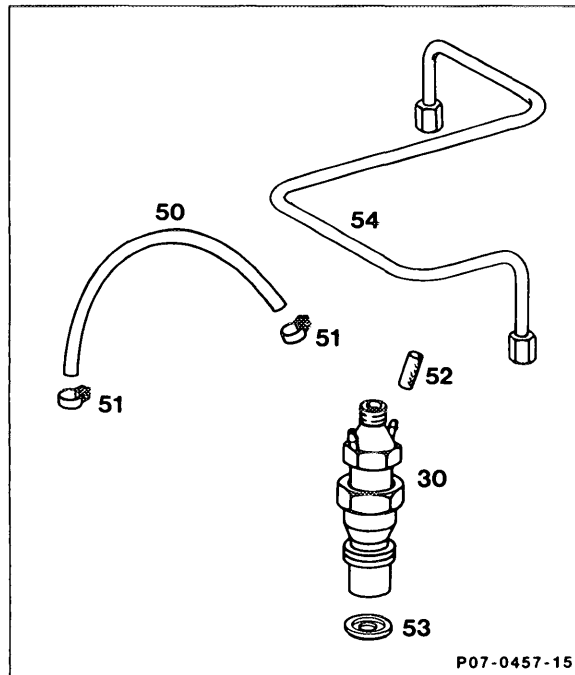


## 07.1-230 Removal and Installation of injectors - Turbodiesel



|                                       |   |
|---------------------------------------|---|
| Bypass oil hose (50), plug (52) ..... | remove, refit.  |
| Injection line (54) .....             | remove, install, tightening torque 10–20 Nm as reference value.             |
| Injection nozzle (30) .....           | remove, install, tightening torque 70–80 Nm, Special tool 001 589 65 09 00. |
| Nozzle seal (53) .....                | replace.  |

### Special tool

