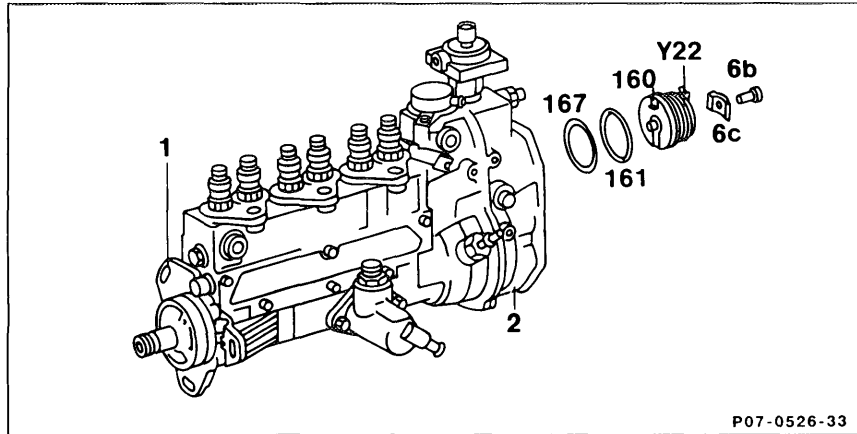
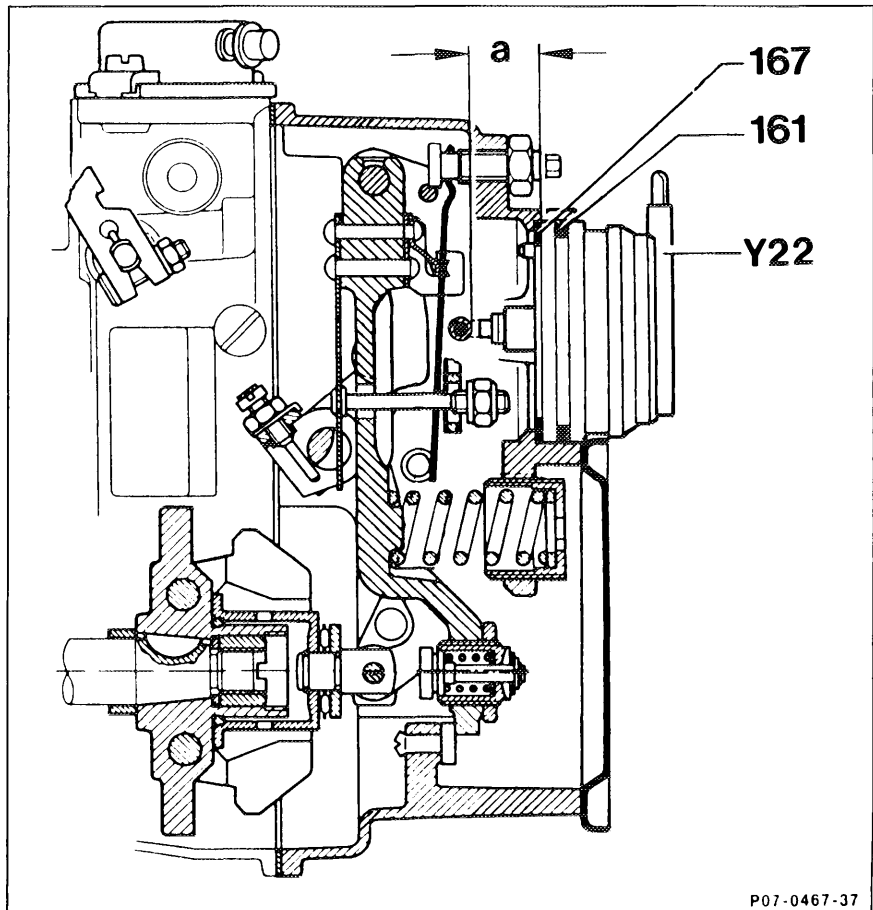


07.1-225 Replacing actuator of electronic idle speed control (ELR) - Turbdiesel



Screw (6b)	remove, install, (use TORX T30).
Bracket (6c)	remove, install.
Actuator (Y22) with intermediate plate (160)	remove, install, electrical connection must be facing upwards.
O-ring (161)	replace.
Shim (167)	for setting size "a".



Size "a" 14.6-15.7 mm

P07-0467-37