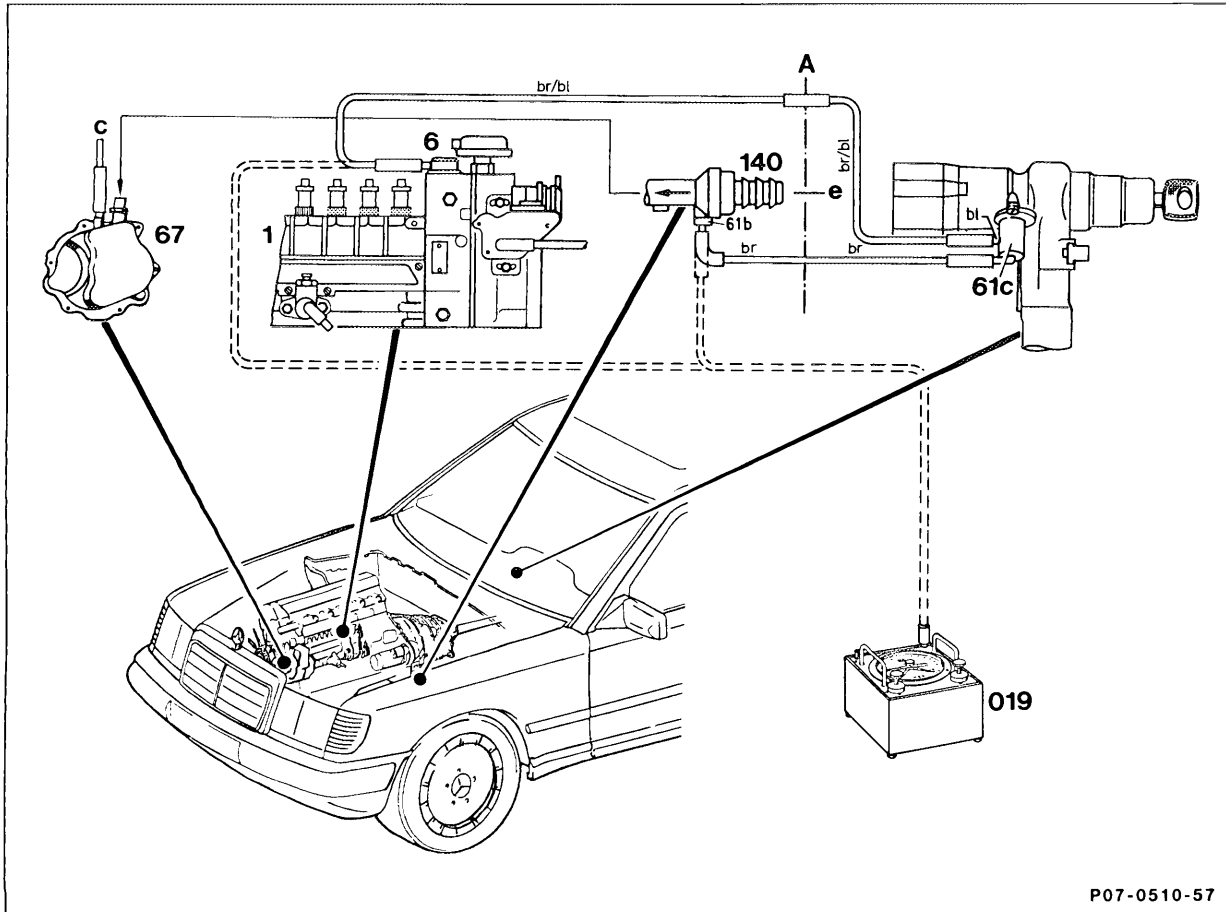


07.1-150 Testing vacuum engine stop for leaks - Turbodiesel



P07-0510-57

1 Injection pump
 67 Vacuum pump
 140 Check valve/main vacuum line

A Intermediate panel
 c Other ancillaries
 e To brake booster

Key in steering lock
 Tester (019) 201 589 13 21 00

turn to position "2".
 connect to "brown" suction line and pressurize
 with 400 + 50 mbar vacuum (maximum
 permissible vacuum drop 6 mbar/min.).

Tester (019) 201 589 13 21 00

connect to vacuum unit (6) and pressurize with 300 + 50 mbar vacuum (maximum permissible vacuum drop 5 mbar/min.). If there is too much vacuum loss, determine cause and rectify.

Special tool

