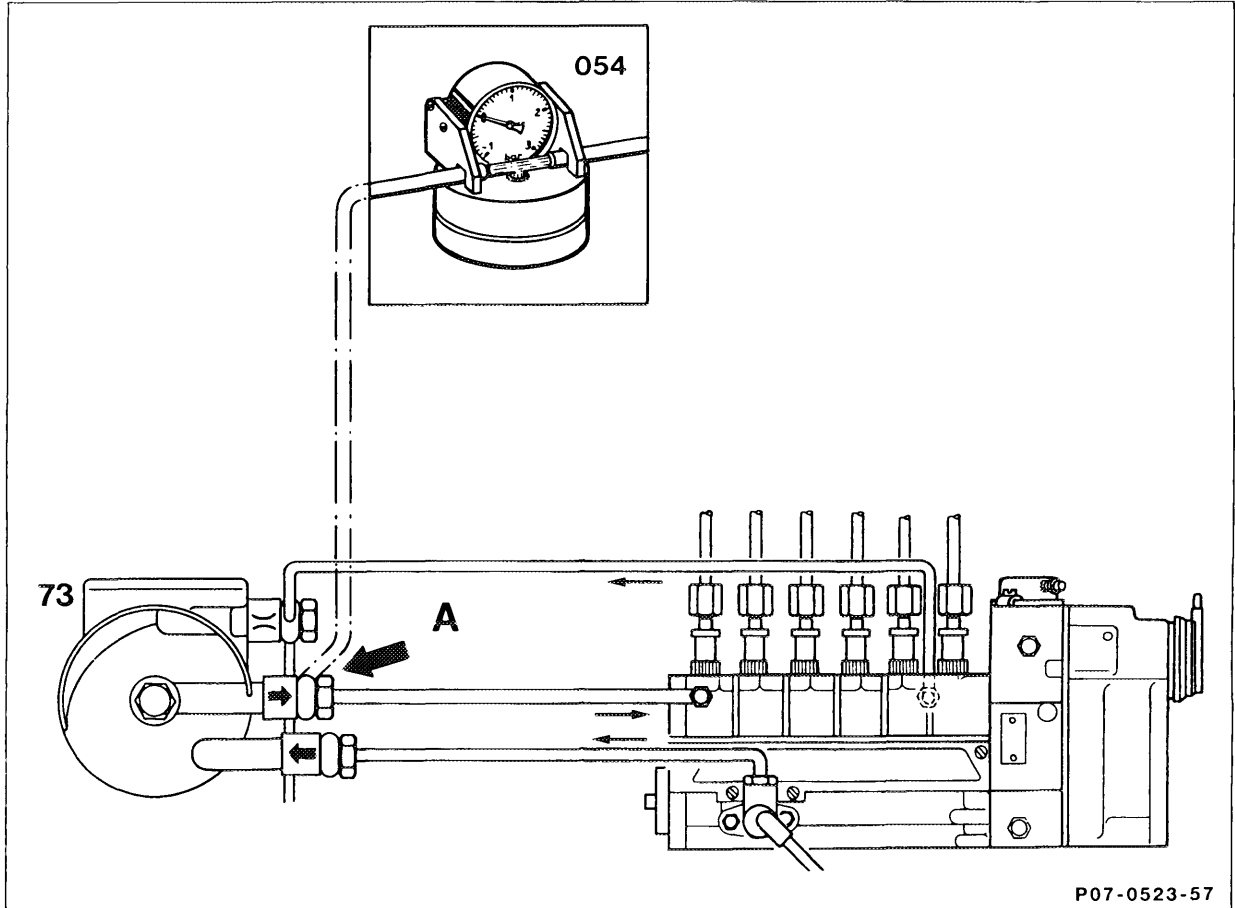


07.1-146 Testing fuel pressure (after testing fuel delivery) - Turbodiesel



- | | |
|--|--|
| Fuel line "A" on filter top section (73) | remove, reinstall. |
| Tester (054) | disconnect, connect. |
| Run engine | specified values at idle speed > 0.3 bar at full-load > 0.5 bar. If the specified values are not reached, replace fuel filter. |

