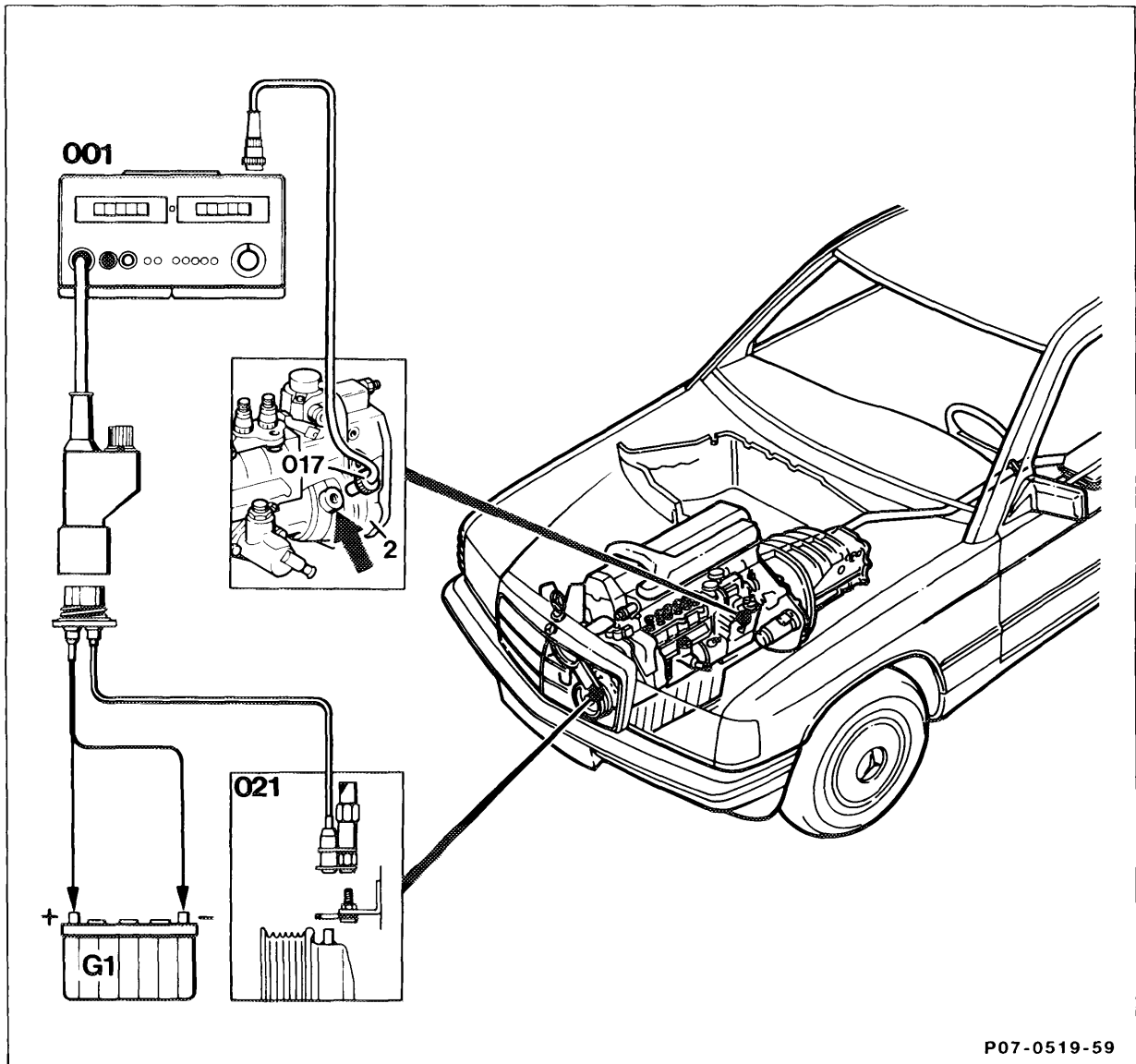


07.1-112 Testing start of delivery - digital tester (RIV method) - Turbodiesel



P07-0519-59

- | | |
|--|--|
| Screw plug (arrow) on governor housing (2) | unscrew, tightening torque 30 - 35 Nm. |
| Tester (001, 017, 021) | connect. |
| Engine, run at idle | read off RI value, adjust start of delivery if necessary (07.1-116 or 07.1-117). |

Test and adjustment values

Engine	Start of delivery (governor pulse) test value, °ATDC
602.96	15 ± 1
603.96	15 ± 1
602.962 From 09/89	14 ± 0.5 ¹⁾
603.970 From 09/89	14 ± 0.5 ¹⁾

¹⁾ Adjustment once at 15,000 mi; adjustment value 14.5° ATDC

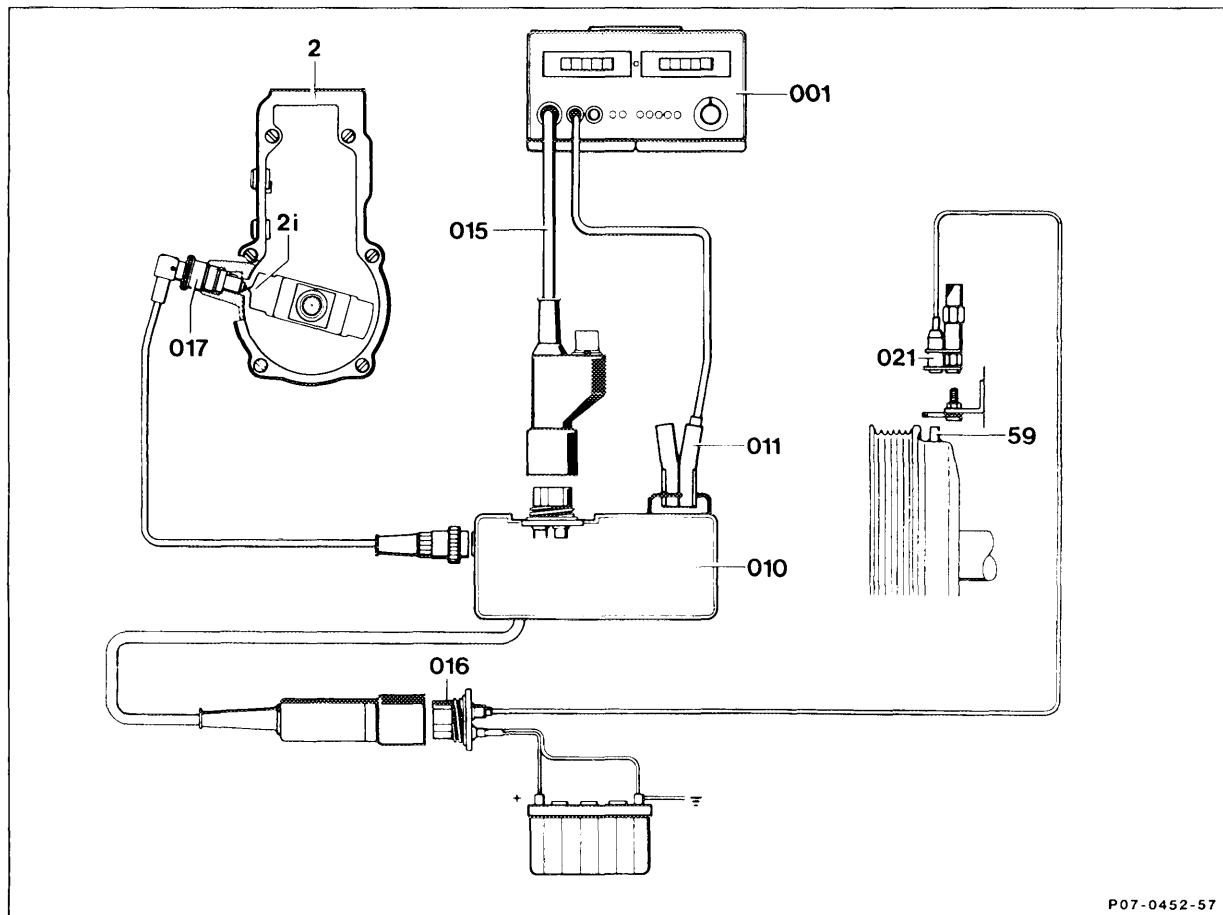
Conventional tools

Used without adapter

Digital testers	e.g. Bosch, ETD 019.002 Sun, DIT 9100 AVL, Diesel-Tester 873
-----------------	--

Used with adapter

Digital testers	e.g. Bosch, MOT 001.03
-----------------	------------------------

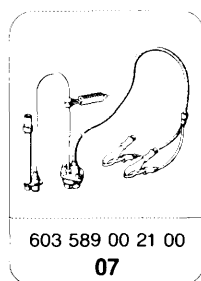
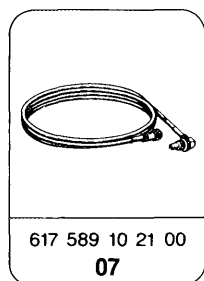
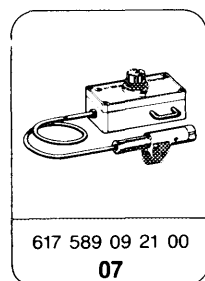


P07-0452-57

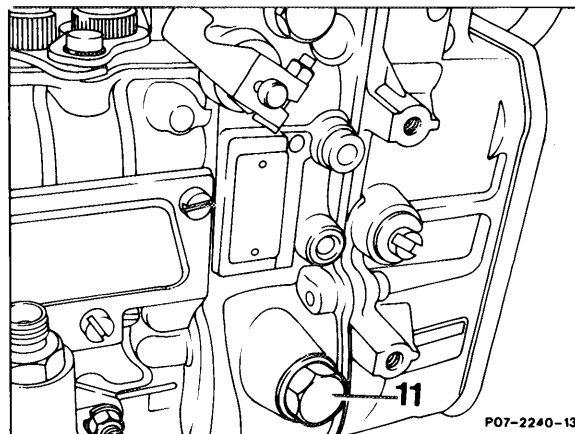
Connection diagram for existing testers with adapter

001	Digital tester	017	RI generator
010	Adapter	021	TDC pulse generator
011	Trigger clamp	2	Governor
015	Test cable with connector	2i	RI generator pin
016	Diagnostic socket	59	TDC generator pin

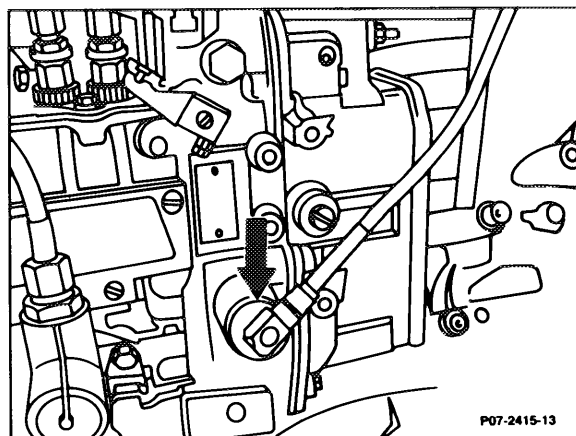
Special tools



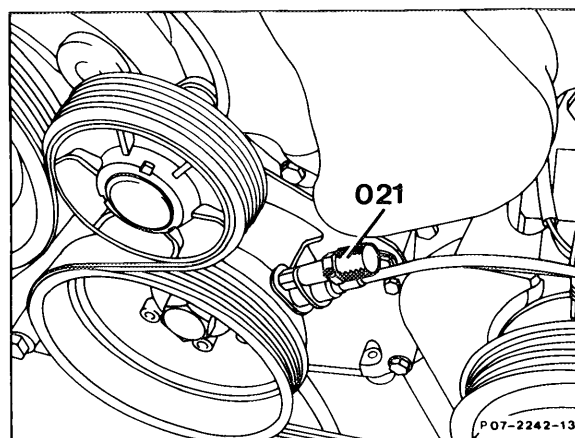
1 Unscrew plug (11) on the governor housing.



2 Thread in RI generator (017, arrow) at governor (injection pump).



3 Screw in TDC pulse generator (021) at bracket (engine).



- 4 Connect the digital tester as shown in the connection diagram.
- 5 With engine at idle, take reading of RI value (indirect start of delivery) at the digital tester at idle speed and compare with specification.
- 6 Turn off engine.
- 7 Disconnect digital tester.
- 8 Screw in plug at governor. Tightening torque 30-35 Nm.
- 9 Perform leakage test with engine running.
- 10 Check engine oil level, correct if necessary.