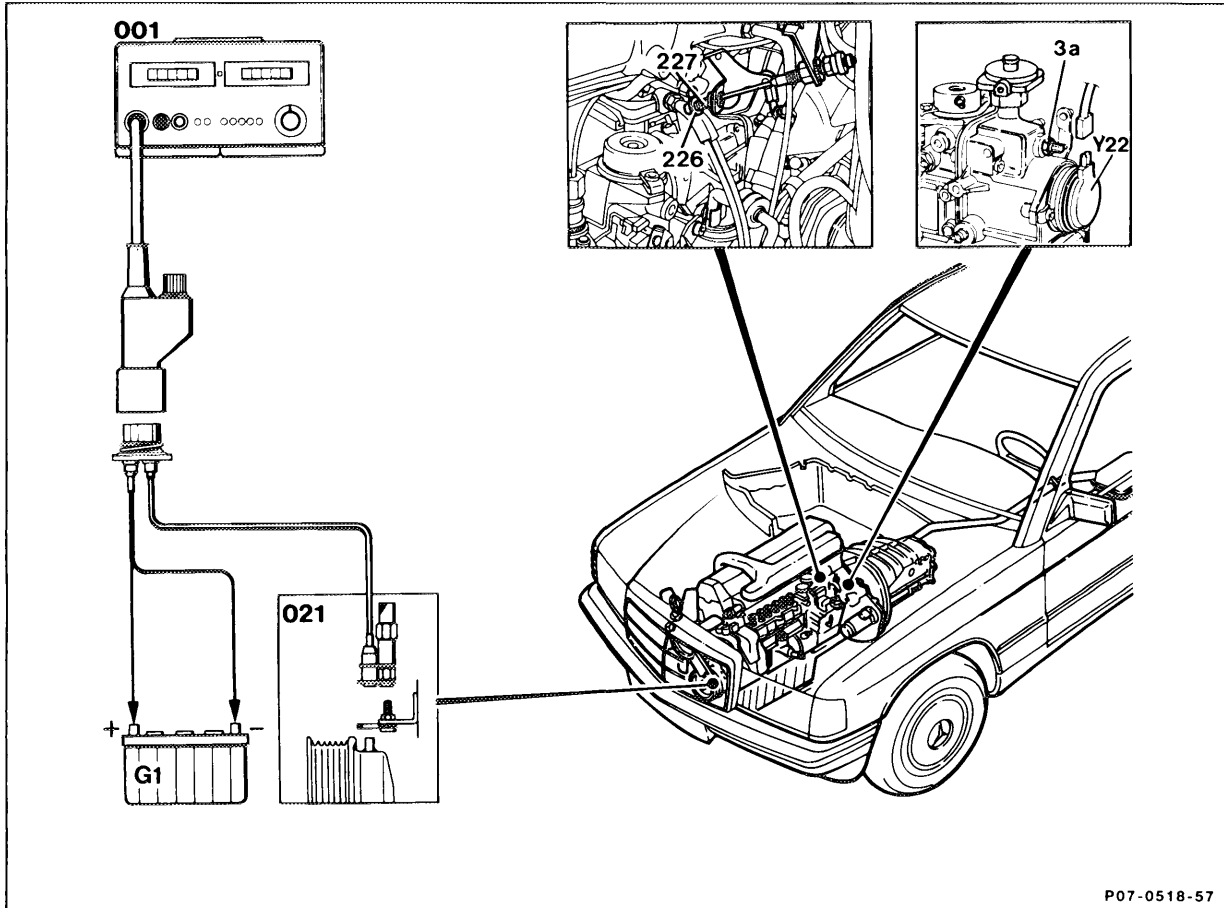


## 07.1-100 Testing, adjusting idle speed - Turbodiesel



P07-0518-57

Tester (001) and pulse generator (021) . . . . .	connect and disconnect.
Accelerator control . . . . .	examine for ease of operation.
Idle stop on Bowden cable . . . . .	check, the spring plate (226) must be resting against the compression spring (227) free of tension.
Engine . . . . .	raise to coolant temperature of approx. 80°C.
2-pin connector on actuator (Y22) . . . . .	detach, fit on again.
Idle speed . . . . .	check, adjust. Loosen locking nut (3a) for this step.
Engine running . . . . .	check. Turn on all ancillary components for this step.

### Test and adjustment data

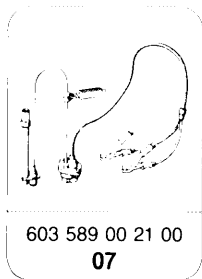
Engine	Electronic idle speed control		Position of resistance trimming plug
	Idle speed rpm <b>with control</b>	Idle speed rpm Plug on actuator detached <b>without control</b>	
602.96	680 ± 20	620 ± 40	4
603.96/97	630 ± 20	570 ± 40	4

### Adjusting idle speed by means of resistance trimming plug

If problems arise regarding idle speed, it is possible to vary idle speed. The positions of the resistance trimming plug are listed in the table opposite.

Position of resistance trimming plug	Engine 602	Engine 603
1	610 ± 20	570 ± 20
2	630 ± 20	590 ± 20
3	650 ± 20	610 ± 20
<b>4</b>	<b>680 ± 20</b>	<b>630 ± 20</b>
5	700 ± 20	650 ± 20
6	720 ± 20	670 ± 20
7	740 ± 20	700 ± 20

### Special tool

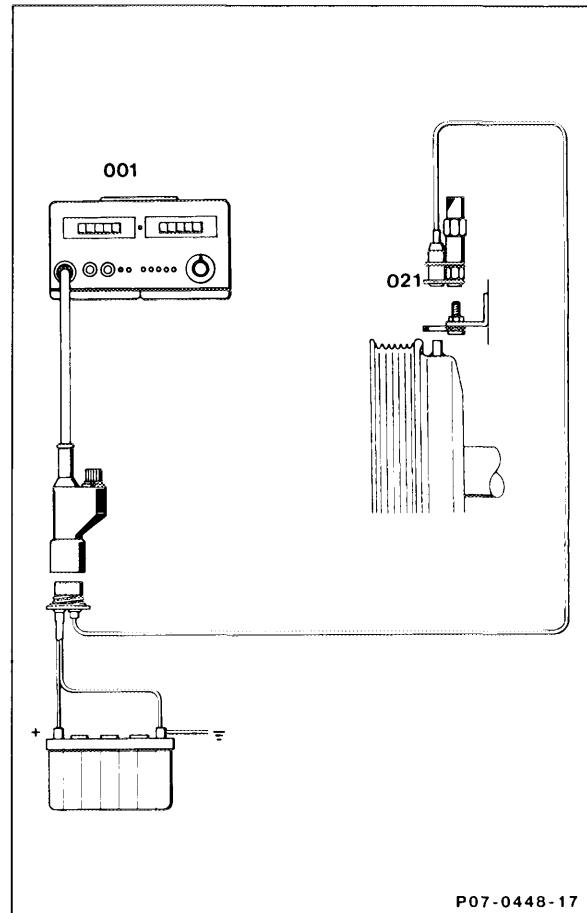


### Commercial tools

Multimeter	e.g.	Sun, DMM-5
Digital tester	e.g.	Bosch, MOT 002.01 Sun, DIT 9000

## Setting

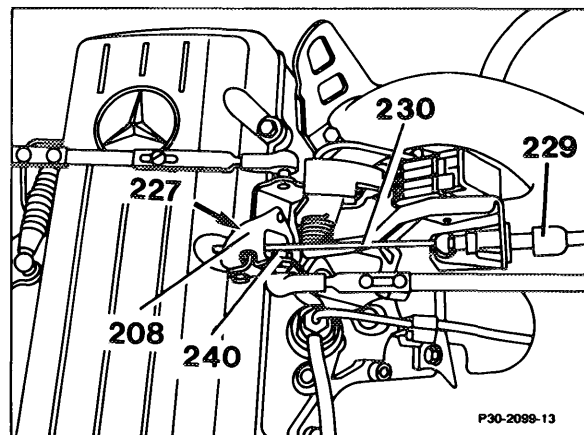
- 1 Connect the digital tester (001) and the pulse generator (021).
- 2 Examine accelerator control for ease of movement and condition.



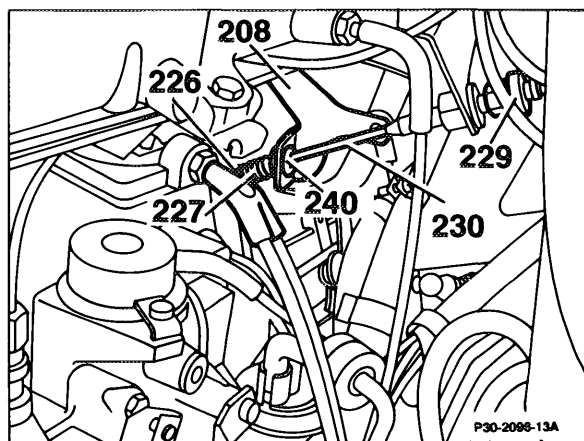
### Checking idle stop:

For this step, the spring plate (226) of the Bowden cable (230) must be resting against the compression spring (227), free of tension.

Engine 602.96



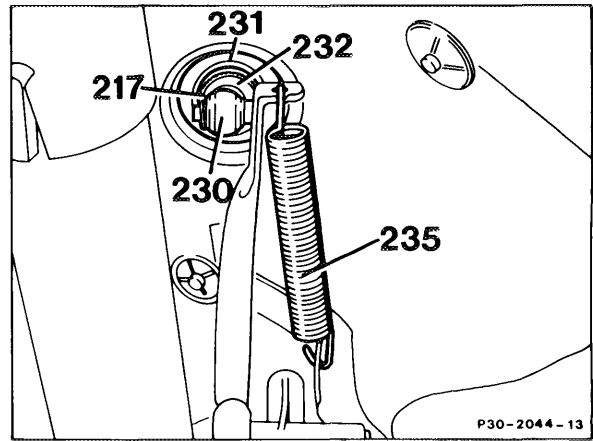
Engine 603.96



Set Bowden cable (230) with the adjusting nut (232) from the car interior, if necessary.

3 Raise engine to coolant temperature of approx 80°C.

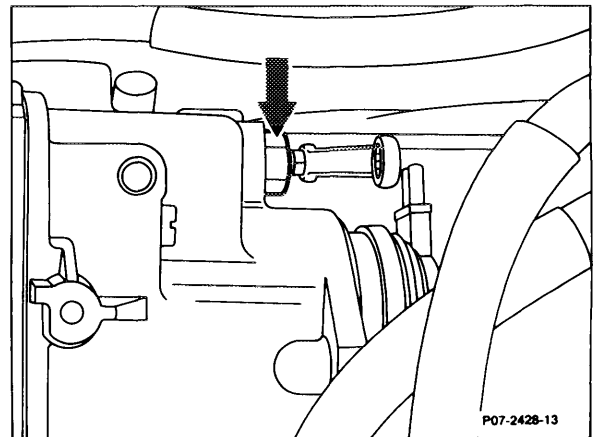
4 Detach 2-pin connector at actuator.



5 Set idle speed. Loosen locking nut (arrow) for this step.

Specifications:

Engine	Idle speed in rpm <b>with control</b>	Idle speed in rpm <b>without control</b> Plug on actuator detached
602.96	680 ± 20	620 ± 40
603.96/97	630 ± 20	570 ± 40



6 Turn on all ancilliary components and check for smooth engine running.