

07.1-003 Explanation of injection pump type plate - Turbodiesel

e.g. **PES 5 M 55 C 320 RS 158/1**

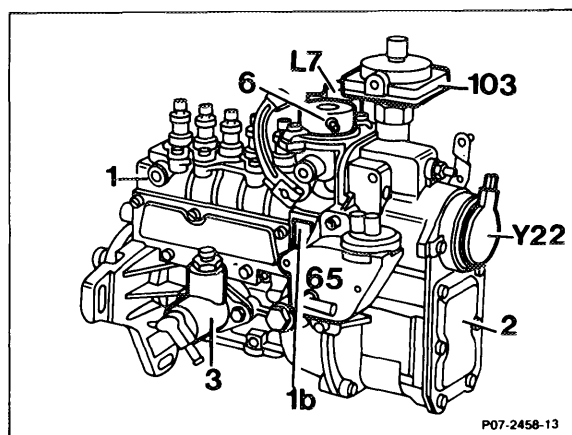
P Pump
E Self-driven
S Face flange mounting
5 Number of cylinders
M Pump size
55 Element diameter in 1/10 mm
C Modification code letter
320 Installation index
R Direction of rotation
S158/1 Special version

RSF

R Governor
S Helical spring
F Drive control

Location of components with ELR

- 1 Injection pump
- 1b Type plate
- 2 Governor
- 3 Fuel pump
- 6 Stop unit
- 65 Vacuum control valve
- 103 ALDA unit
- Y22 ELR actuator
- L7 Control rod travel sensor
(connector not operational with cap closed)



Location of components with ELR

- 1 Injection pump
- 2 Governor
- 3 Fuel pump
- 6 Stop unit
- 103 ALDA unit
- Y22 ELR actuator

