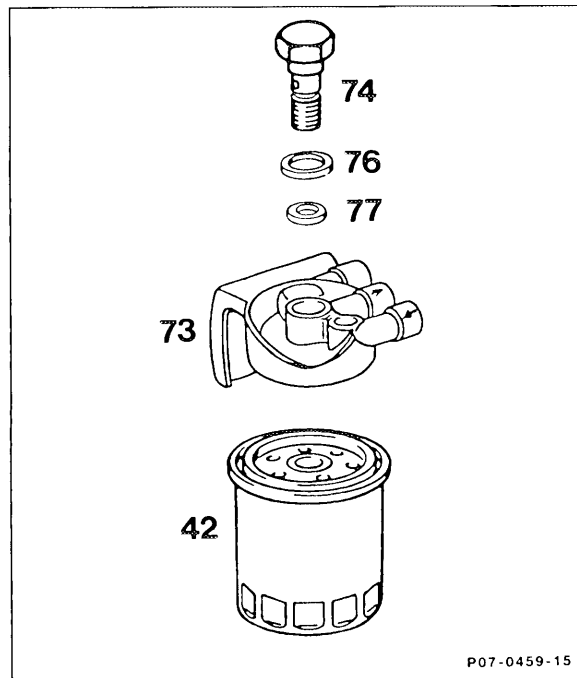


07.1-245 Replacing fuel filter



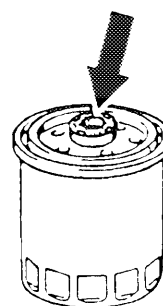
Bolt (74)	remove, reinstall.
O-ring (76)	remove, reinstall, replace.
O-ring (77)	remove, reinstall, replace.
Filter (42)	remove from the bottom, replace.
Fuel filter upper part (73)		

Note

The fuel system is self-bleeding during starting. This is due to the increased delivery rate of the fuel pump and the restrictors in the filter upper part and the injection pump.

Run engine and check for leaks.

Function diagram see 07.1-010 section "O".



1074-12138

Fuel filter with additional sealing ring (arrow)