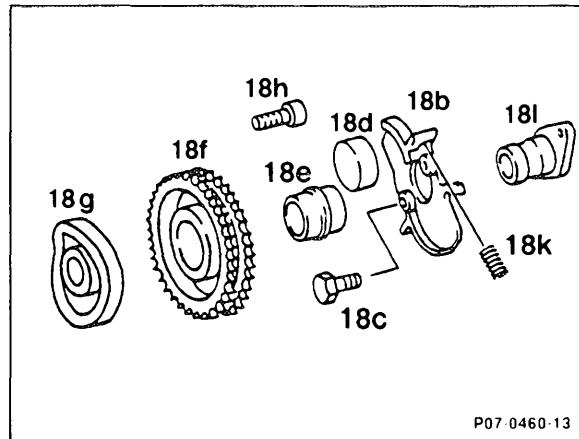


## 07.1-241 Reconditioning injection timing device

---

Injection timing device removed (07.1-240).



Bolt (18h) . . . . .	2 off M 6 x 16, remove, reinstall, 15 Nm.
Drive hub (18l) . . . . .	remove, reinstall.
Bolt (18c) . . . . .	2 off M 8 x 16, remove, reinstall, 25 Nm.
Cam (18g) . . . . .	check wear.
Sprocket (18f) . . . . .	check wear.
Bushing (18e) . . . . .	remove, reinstall, check wear.
Segment flange (18b) . . . . .	check wear.
Compression springs (18k) . . . . .	2 off remove, reinstall.
Governor weights (18d) . . . . .	2 off M 8 x 16 remove, reinstall, check wear.