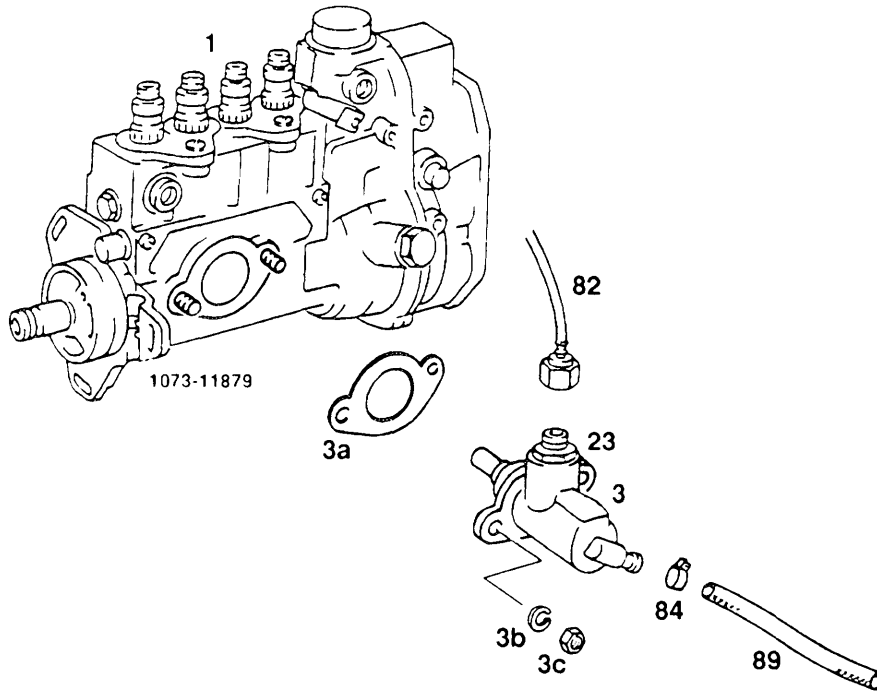


07.1-235 Removal and installation of fuel pump

Air cleaner cover removed (09-400).



Clamp (84)	open, close.
Suction line (89)	pull off, fit.
Supply fuel filter (82)	disconnect, connect.
Nut, 2 off (3c)	remove, reinstall.
Washer, 2 off (3b)	remove, reinstall.
Fuel pump (3)	collect engine oil running out during removal.
Gasket (3a)	replace
Delivery outlet (23)	
Injection pump (1)	