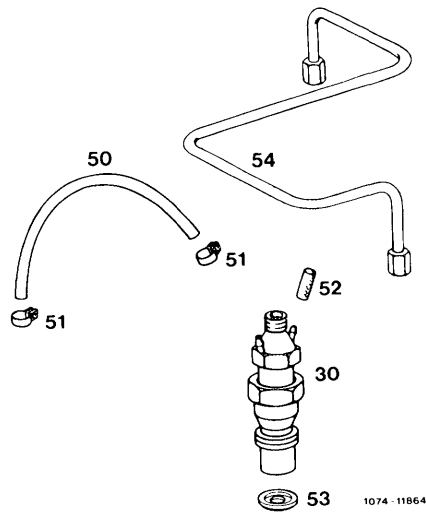


07.1-230 Removal and installation of injectors



Fuel bleed hose (50)	pull off, fit.
Plug (52)	material (fabric),
Injection line cylinder no. 1(54)	10-20 Nm (reference value).
Injection nozzle (30)	70-80 Nm, special tool 001 589 65 09 00, with inclined injection 30 Nm.
Nozzle plate (53)	replace

Special tool

