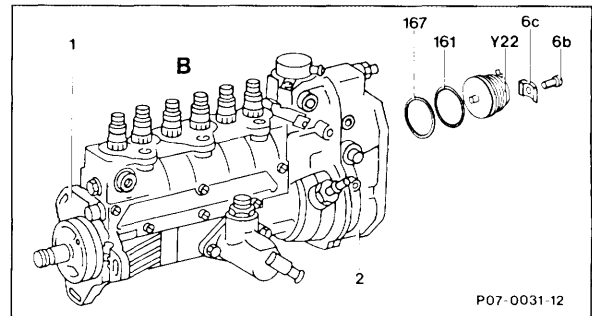
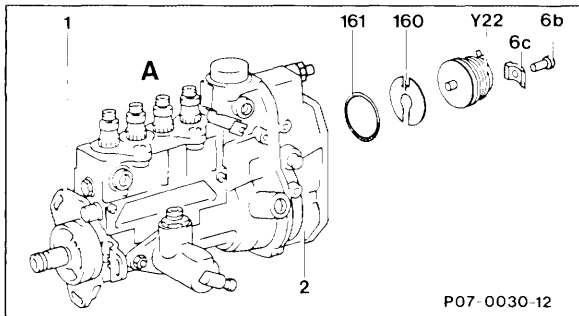
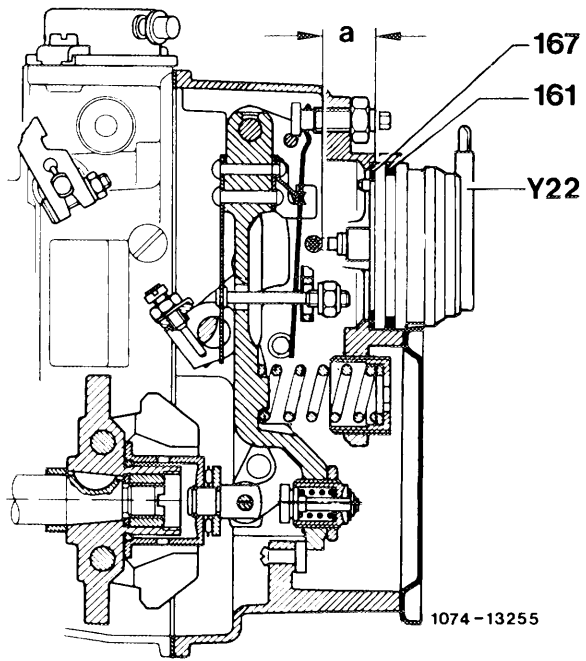


07.1-225 Replacing electromagnetic actuator (ELR)



- A 1st version
- B 2nd version
- 1 Injection pump
- 2 Governor
- 160 Intermediate plate

Air cleaner complete	remove, reinstall (09-400).
Screw (6b)	2 off remove, reinstall. For TORX screws use wrench "T30".
Bracket (6c)	2 off remove, reinstall.
Electromagnetic actuator (Y22)	remove, reinstall, electrical connection must face up.
O-ring (161)	replace.
Shim (167) (no replacement part)	for adjusting dimension "a". (During repairs the previous shims must be reinstalled to ensure that the dimension "a" is correct).



Dimension "a"
14.6-15.7 mm