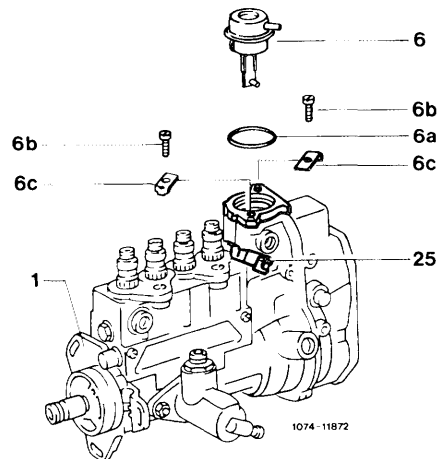


## 07.1-220 Replacing vacuum unit

---



Air cleaner complete	remove, reinstall (09-400).
ADA unit	remove, reinstall (engines with EGR).
Screw (6b)	remove, reinstall. For TORX screws use wrench "T30".
Bracket (6c)	remove, reinstall.
Vacuum unit (stop) (6)	slightly raise during removal, tilt backward to the engine side and pull out.
O-ring (6a)	remove, reinstall.
Emergency stop lever (25)	push during installation and allow vacuum unit connecting rod to engage in the toggle of the emergency stop lever.