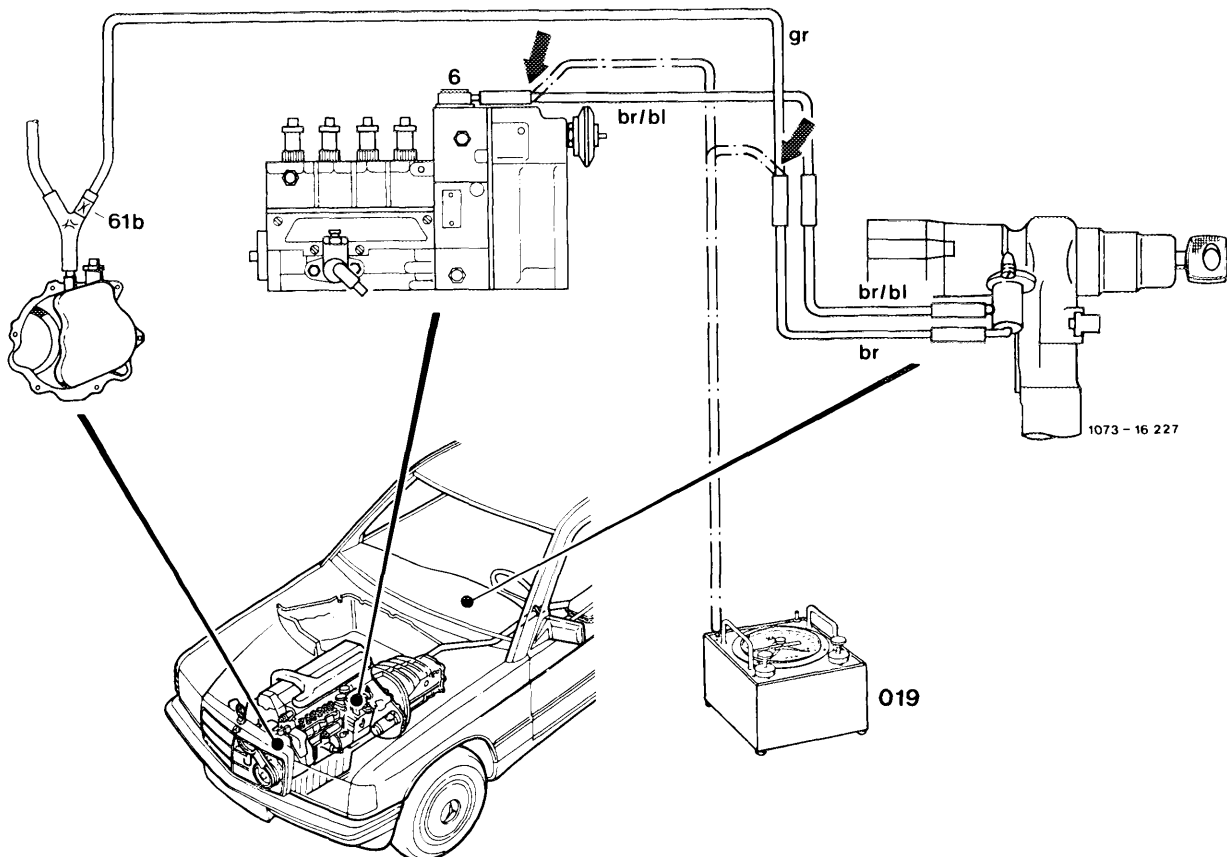


07.1-150 Testing vacuum shut-off for leaks

1st version



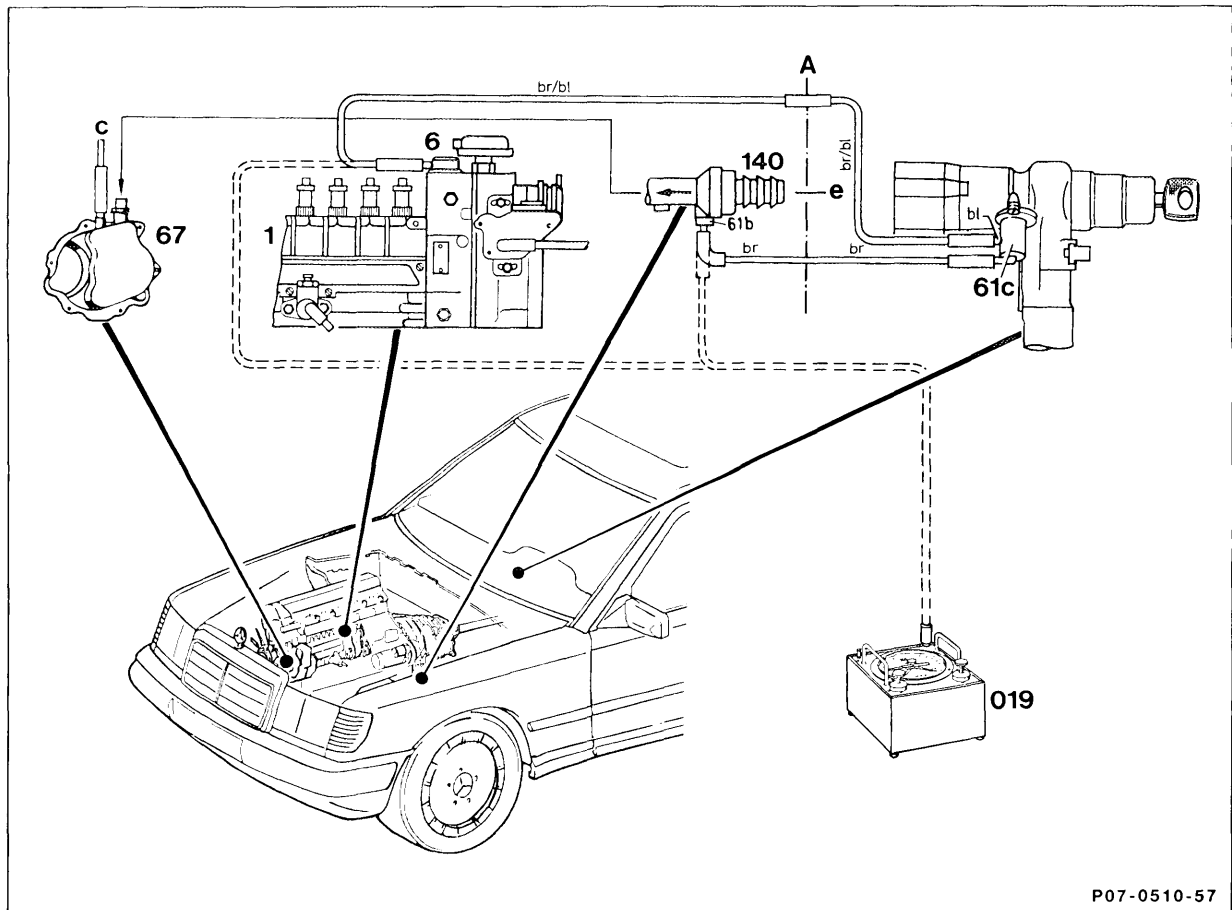
- 1 Injection pump
- 6 Vacuum unit (stop)
- 61b Choke 0.5 mm orifice diameter
- 61c Valve glow starter switch
- 61d Cam glow starter switch (valve open)
- 67 Vacuum pump

- A Partition panel
- c Remaining users
- e To brake booster

- Glow starter switch turn to position "2".
- Vacuum tester (019) connect to suction line "brown" and apply vacuum of 400 + 50 mbar (max. pressure drop 6 mbar/min).
Turn glow starter switch to position "0", the stop lever goes down or in stop position.
- Vacuum tester (019) connect to vacuum unit (6) and apply vacuum of 300 + 50 mbar (max. pressure drop 5 mbar/min).

2nd version

Production breakpoint as of July 1987.



- | | | | |
|-----|------------------------------|---|------------------|
| 1 | Injection pump | A | Partition panel |
| 6 | Vacuum unit (stop) | c | Remaining users |
| 61c | Valve glow starter switch | e | To brake booster |
| 67 | Vacuum pump | | |
| 140 | Check valve/main vacuum line | | |

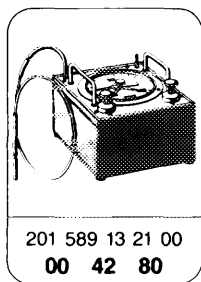
- Glow starter switch press to position "2".
- Vacuum tester (019) connect to suction line "brown" and apply vacuum of 400 + 50 mbar (max. pressure drop 6 mbar/min).
Turn glow starter switch to position "0", the stop lever goes down or in stop position.
- Vacuum tester (019) connect to vacuum unit (6) and apply vacuum of 300 + 50 mbar (max. pressure drop 5 mbar/min).

Permissible loss of vacuum mbar/min

Model	201
Entire system at 400 + 50 mbar vacuum	6 ¹⁾
Individual parts at 300 + 50 mbar vacuum	5 ¹⁾

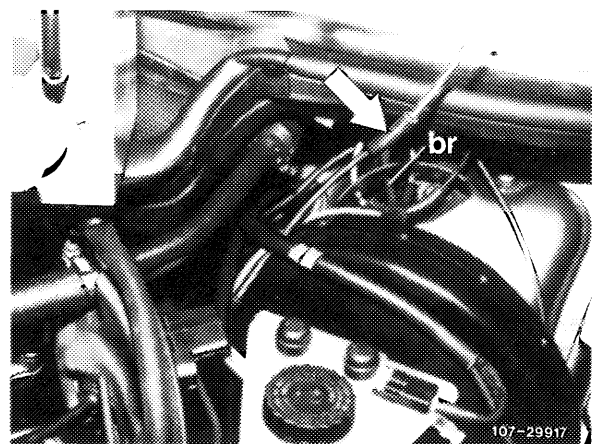
¹⁾ Maximum pressure drop

Special tool



Testing

- 1 Turn ignition key on glow starter switch to position "2".
- 2 Pull suction line (brown) from connector (arrow).

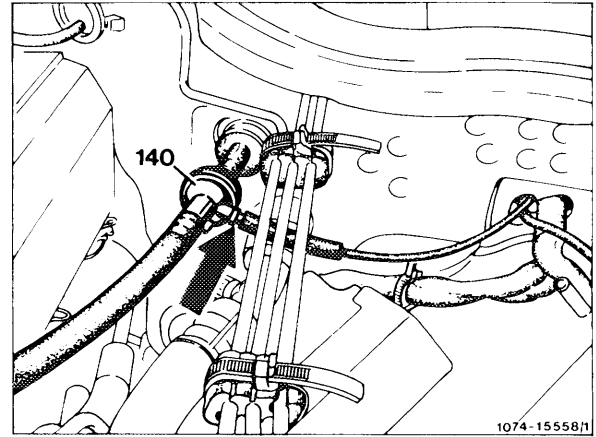


Model 201

107-29917

Vacuum supply directly from check valve of main vacuum line.

Model 201 as of July 1987



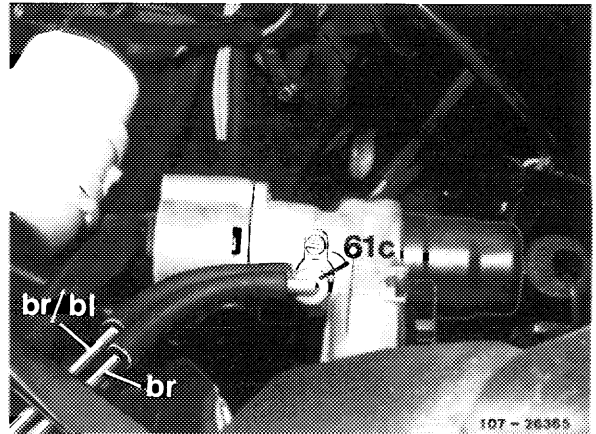
3 Connect tester and apply vacuum of 400 + 50 mbar.

If the display on the pressure gauge fails to change, the valve for the glow starter switch is leaking.

If a vacuum drop of more than 6 mbar/min occurs on the pressure gauge, the valve (61c) on the glow starter switch is leaking.

Caution!

Before replacing the valve for the glow starter system and the vacuum unit of the injection pump, check hose lines and connections.



4 Replace valve on glow starter switch.

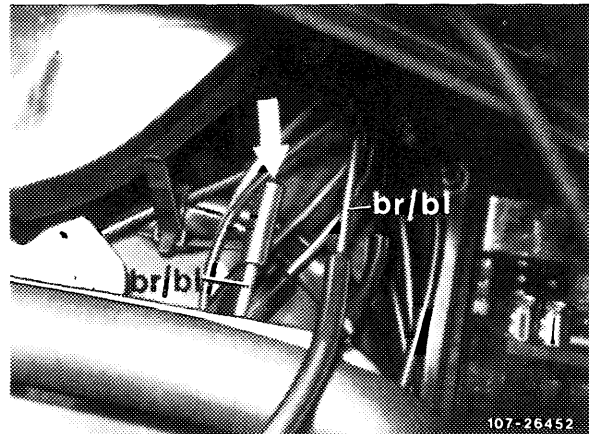
5 Turn ignition key on glow starter switch to position "0".

If a vacuum drop occurs on the pressure gauge, the vacuum unit or the valve may be leaking.

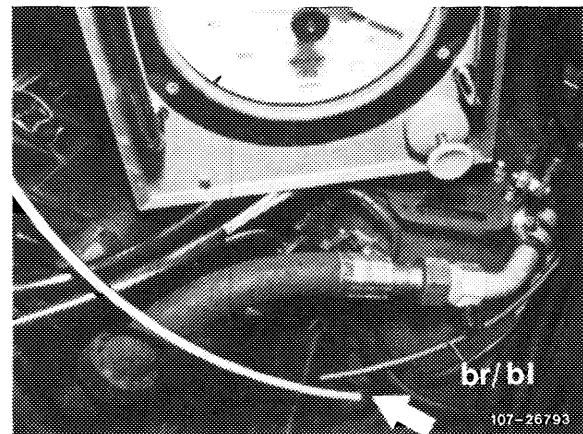
6 In this case, disconnect tester from suction line (brown).

7 Pull control line (brown/blue) from connector (arrow).

Model 201
Standard version



Model 201
California version



8 Connect tester to connector and apply vacuum of 300 + 50 mbar.

If a vacuum drop of more than 5 mbar/min occurs on the pressure gauge, the vacuum unit of the injection pump is leaking.

Caution!

Before replacing the vacuum unit, check hose lines and connectors.

9 Replace vacuum unit (07.1-220).