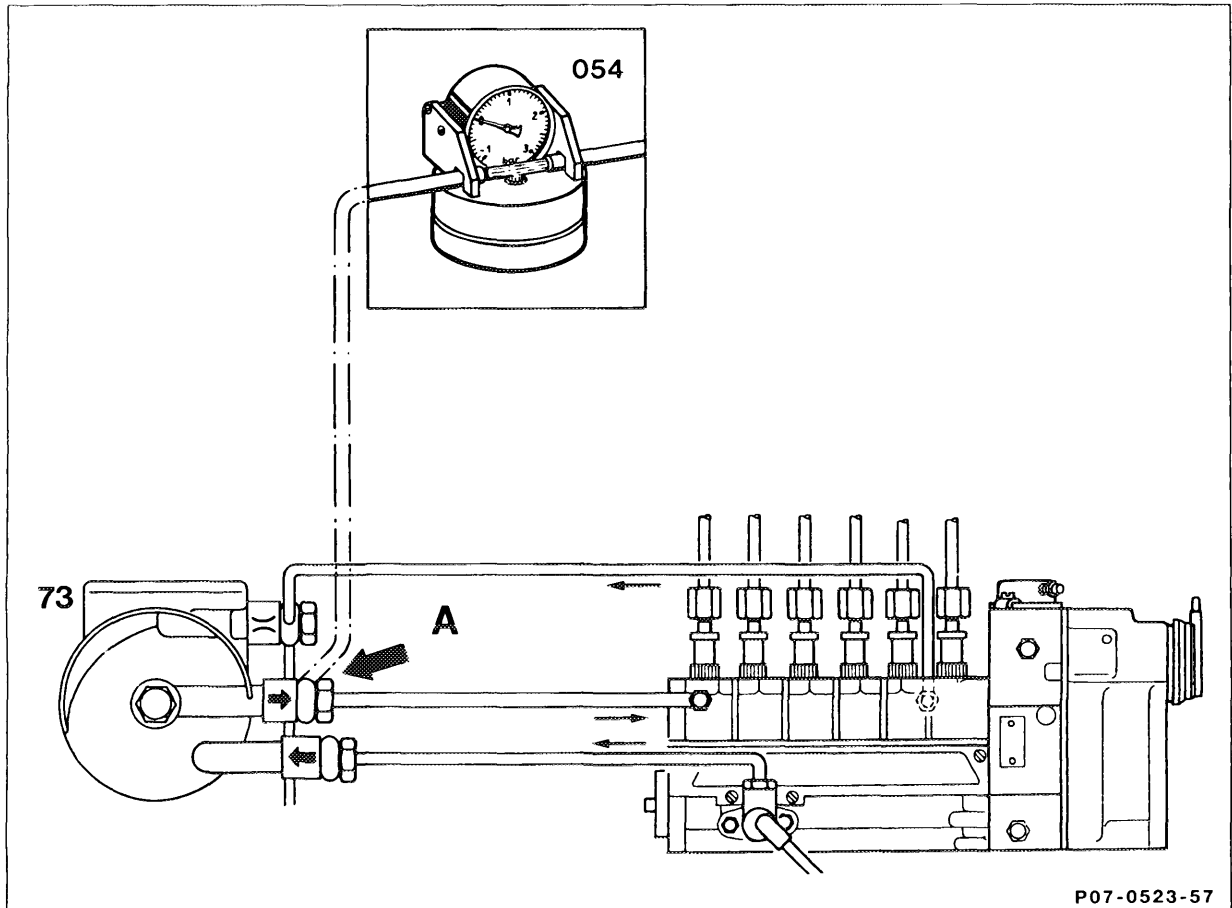


07.1-146 Checking fuel pressure (after checking delivery capacity)



Fuel line "A" from filter upper part (73) unscrew,
connect tester (054).

Set values:

at idle speed > 0.3 bar

at full load > 0.5 bar

If the set values are not achieved:

Replace fuel filter.

Special tools

