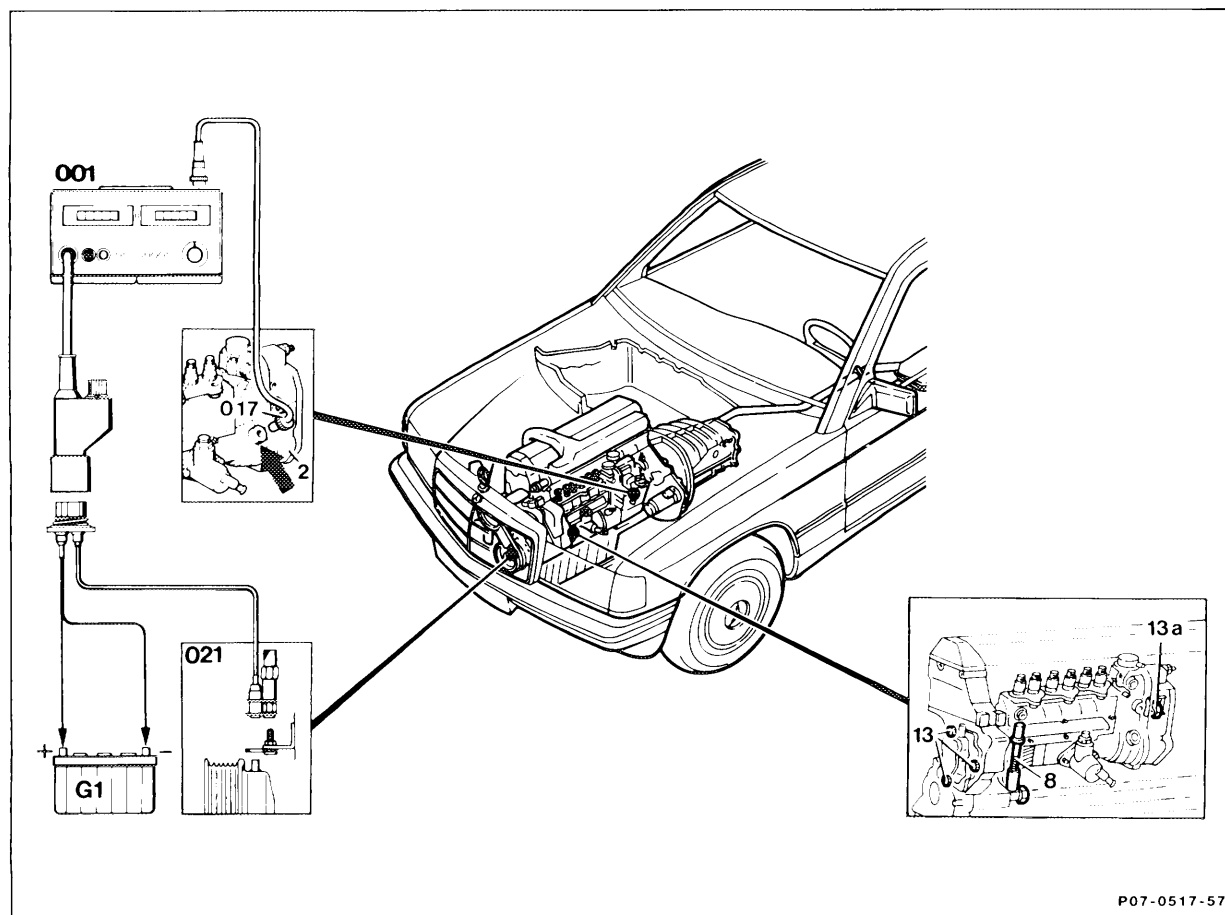


## 07.1-117 Adjusting start of delivery with digital tester (RIV method)



P07-0517-57

Mounting screws (13 and 13a) on injection pump flange and support bracket

Engine  
RIV value (indirect start of delivery)

loosen.  
run at idle speed.  
adjust by turning the adjusting device (8)

### Direction of rotation of the adjusting screw (8)

Right = start of delivery retarded  
Left = start of delivery advanced

Engine  
Mounting screws (13 and 13a) on injection pump flange and support bracket

RI set value  $15^\circ \pm 1^\circ$  ATDC.  
switch off.

Testers  
Screw plug (arrow) on governor

secure  
tightening torque 20-25 Nm.  
disconnect.  
turn in,  
tightening torque 30-35 Nm.

Control linkage  
Leak test with engine running  
Engine oil level

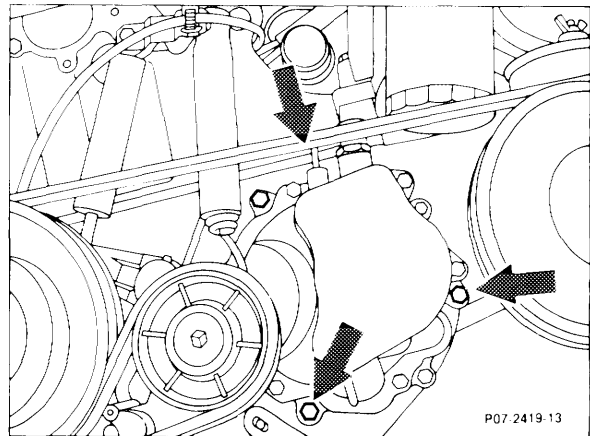
check, adjust if required (30-300).  
perform.  
check.

## Note

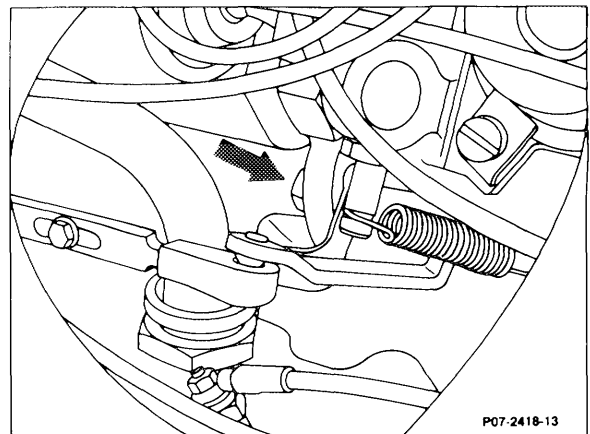
Before adjustment, check start of delivery (07.1-112).

## Adjusting

1 Loosen mounting screws (arrows) on injection pump flange and support bracket (arrow).



Screw on support bracket



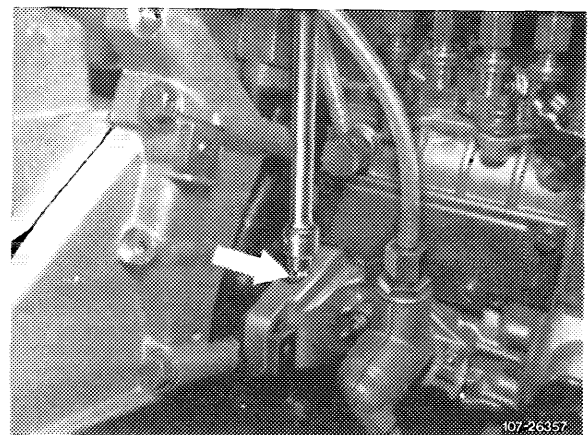
2 Run engine at idle speed.

3 Adjust RIV value (indirect start of delivery) by turning the adjusting screw on the start of delivery adjusting device.

**RIV set value:  $15^\circ \pm 1^\circ$  ATDC**

**Direction of rotation of the adjusting screw**

Right = retards start of delivery  
Left = advances start of delivery



**Note**

If the adjusting range is inadequate, the injection pump must be repositioned. Injection pump, remove, reinstall (07.1-200).

- 4 Switch off engine.
- 5 Disconnect tester.
- 6 Turn screw plug into governor, tightening torque 30-35 Nm.
- 7 Secure mounting screws on injection pump flange and support bracket, tightening torque 20-25 Nm.
- 8 Check control linkage and adjust if required (30-300).
- 9 Perform leak test with engine running.
- 10 Check engine oil level and correct if required.