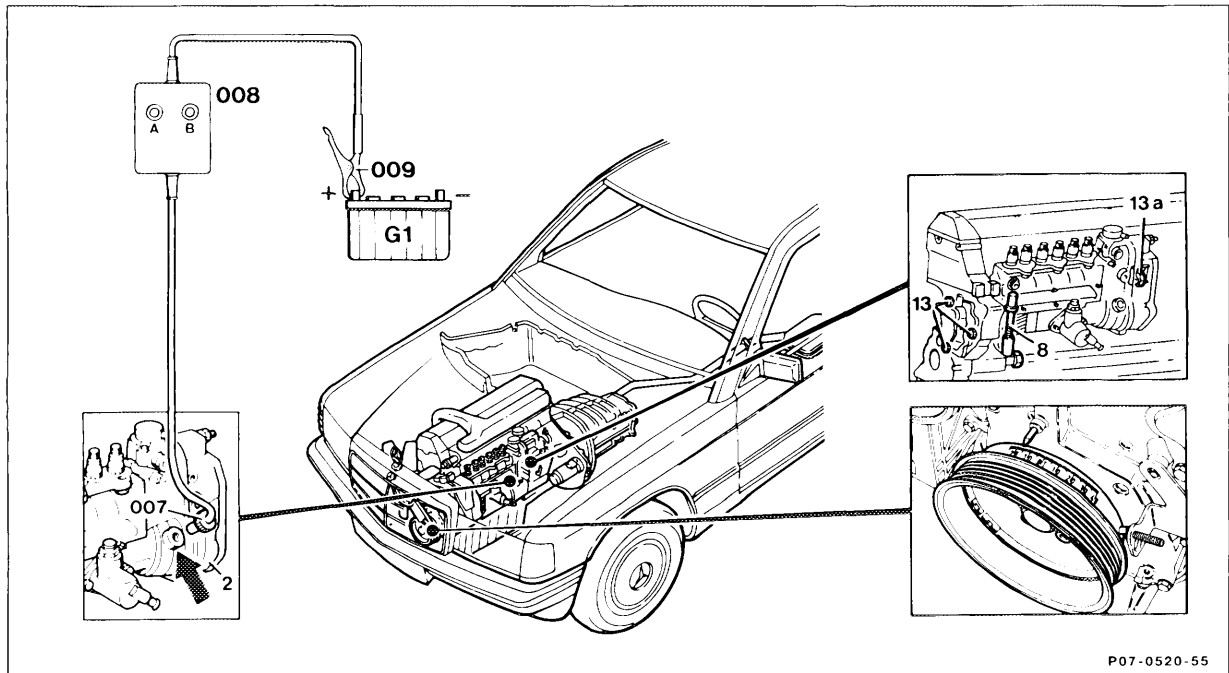


07.1-116 Adjusting start of delivery (position sensor RIV method)



P07-0520-55

Turn crankshaft in direction of rotation to 15° ATDC of 1st cylinder.
 Loosen mounting screws (13 and 13a) on the injection pump flange and support bracket tightening torque 20-25 Nm.
 Indicating instrument (008) and clamp (009) connect to B + .
 Pivot injection pump by turning the adjusting screw at the adjusting device for start of delivery (8) both lamps "A and B" must light up in the indicating instrument (008).

Direction of rotation of the adjusting screw

Right = start of delivery retarded

Left = start of delivery advanced

RIV set value 15° ATDC.

Position sensor (007) remove.

Screw plug (11) turn in.

Control linkage check, adjust if required (30-300).

Leak test

with engine running carry out.

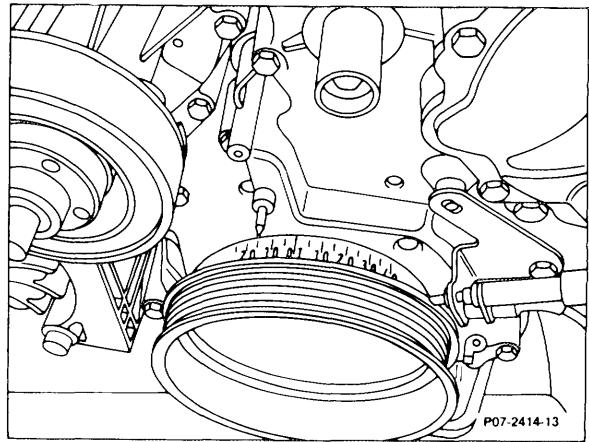
Engine oil level check, correct.

Note

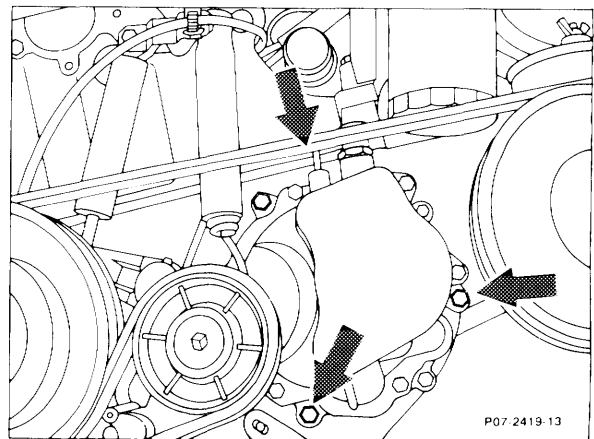
Before adjustment, check start of delivery (07.1-111).

Adjusting

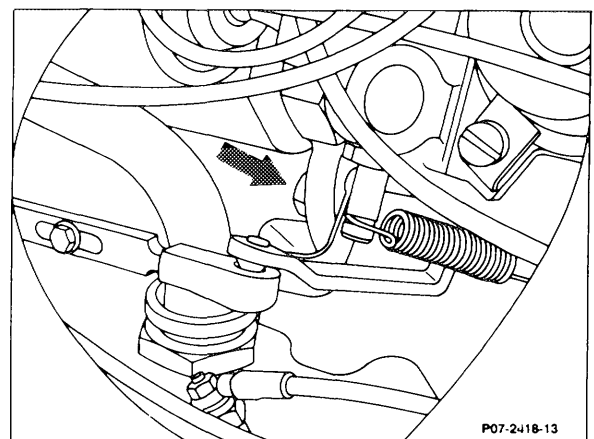
1 Turn crankshaft in direction of rotation to 15° ATDC of 1st cylinder.



2 Loosen mounting screws (arrows) on injection pump flange and support bracket (arrow).



Screw on support bracket



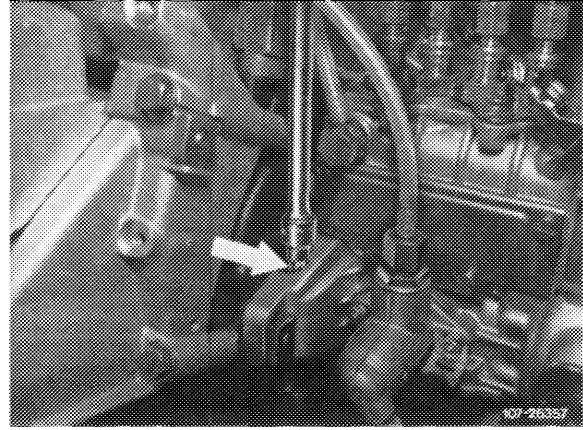
3 Connect indicating instrument (008) and clamp (009) to battery plus.

4 Pivot injection pump by turning the adjusting screw on the start of delivery adjusting device until both lamps light up.

Direction of rotation of the adjusting screw

Right = retarded start of delivery
Left = advanced start of delivery

RIV set value: $15^{\circ} \pm 1^{\circ}$ ATDC



Note

If the adjusting range is inadequate, the injection pump must be repositioned. Injection pump, remove, reinstall (07.1-200).

5 Secure mounting bolts on injection pump flange and support bracket, tightening torque 20-25 Nm.

6 Remove position sensor.

7 Install screw plug, tightening torque 30-35 Nm.

8 Check control linkage and adjust if required (30-300).

9 Carry out leak test with engine running.

10 Check engine oil level and correct if required.