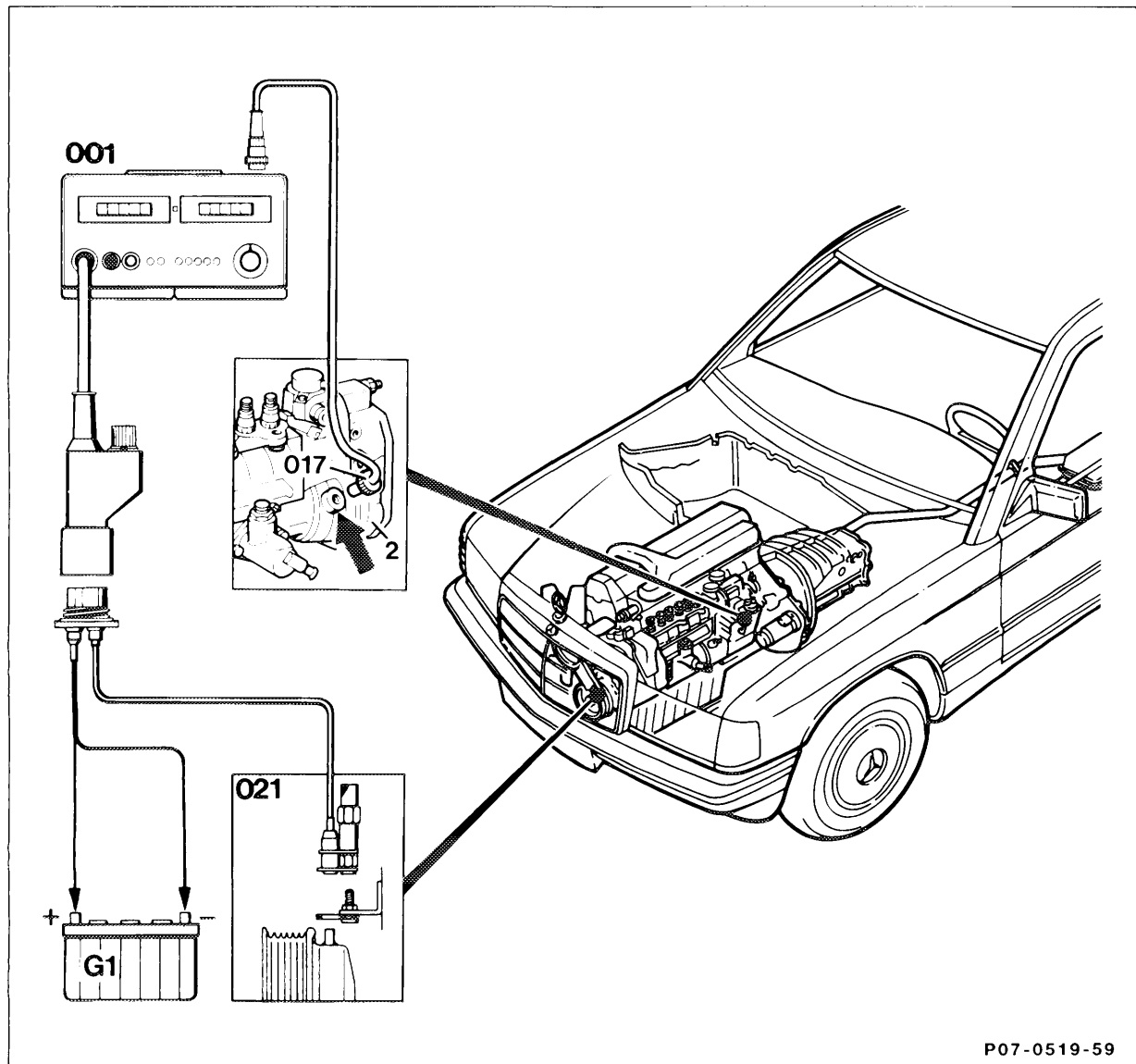


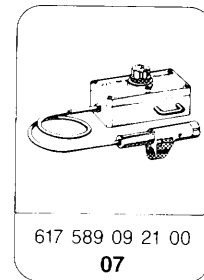
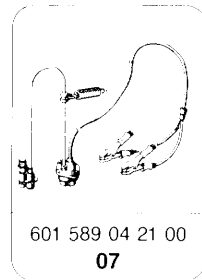
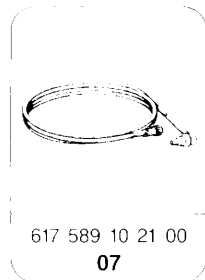
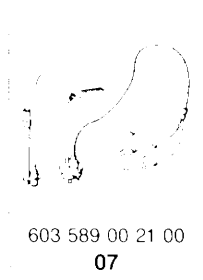
07.1-112 Checking start of delivery with digital tester (RIV method)



P07-0519-59

- | | |
|---|--|
| Remove screw plug (arrow) from governor housing (2) | unscrew. |
| | Tightening torque 30-35 Nm. |
| Testers (001, 017, 021) | connect, disconnect. |
| Run engine at idle speed | read RI value off digital tester at 15° ATDC. |
| | RI set value: 15° ± 1° ATDC. |
| | Adjust start of delivery if required (07.1.116 and 117). |

Special tools



Commercially available tools

Use without adapter

Digital testers

e.g. AVL, Diesel-Tester 873

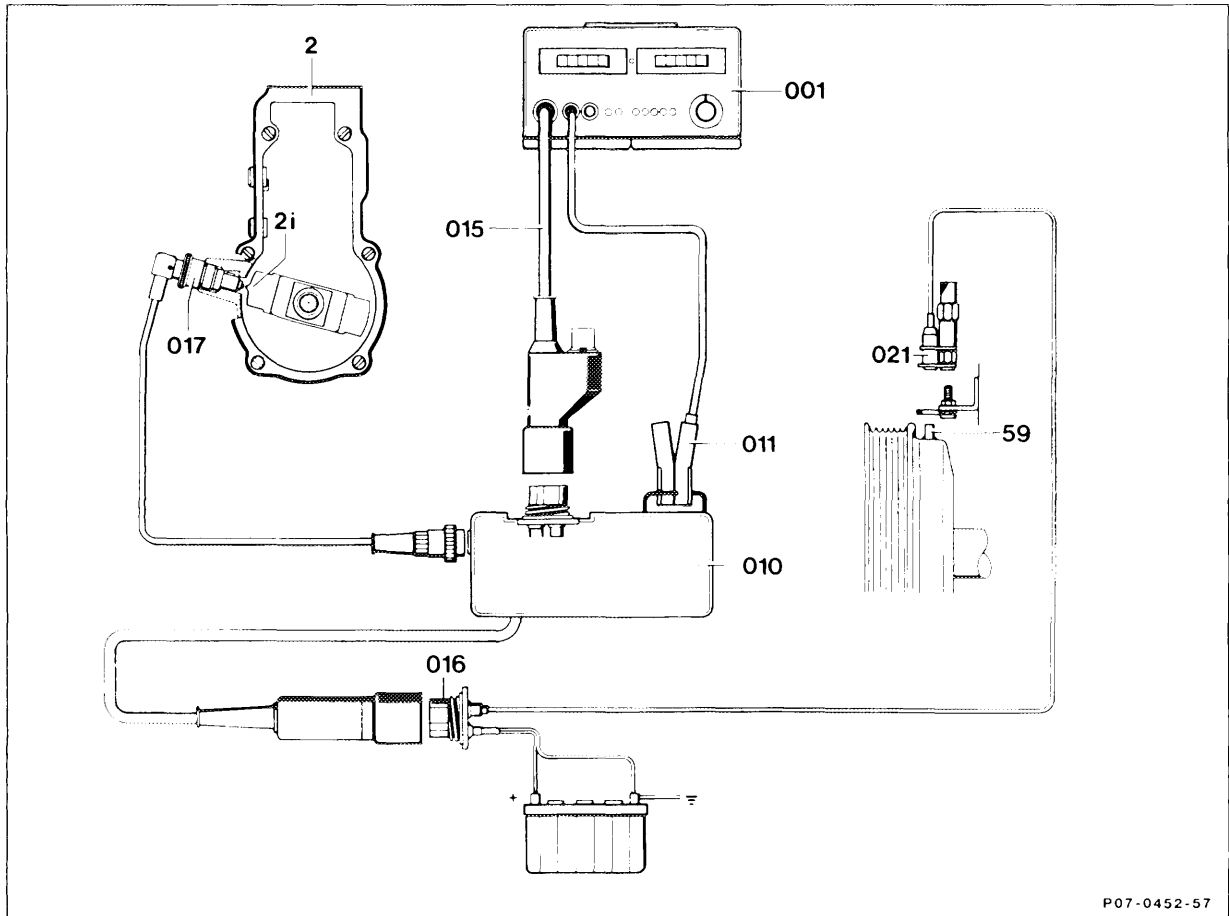
e.g. Bosch, ETD 019.002

e.g. Sun, DIT 9100

Use with adapter

Digital tester

e.g. Bosch, MOT 001.03



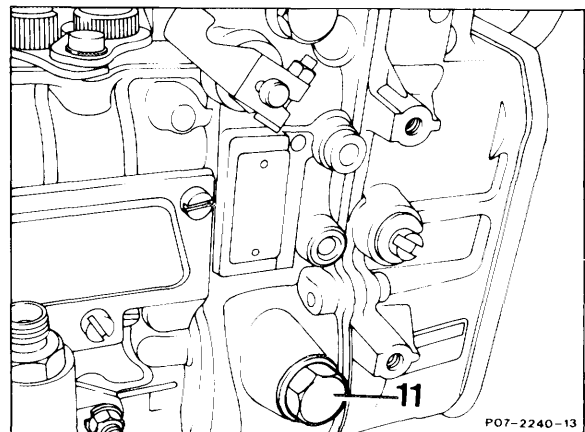
P07-0452-57

Connection diagram for existing testers with adapter

001	Digital tester	017	RIV sensor
010	Adapter	021	TDC pulse generator
011	Alligator clamp	2	Governor
015	Test cable with plug	2i	RI sensor pin
016	Diagnostic socket	59	TDC sensor pin

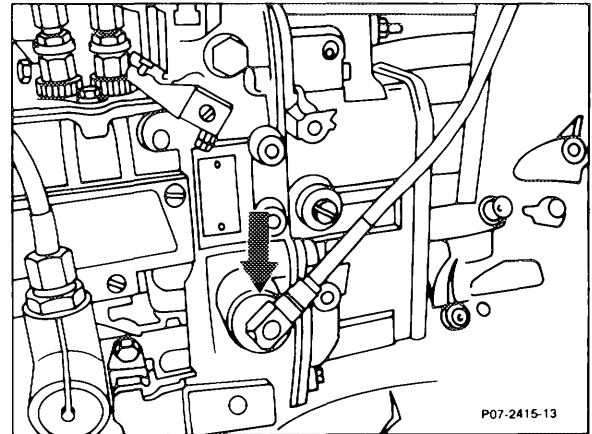
Checking

1 Remove screw plug (11) from governor housing.

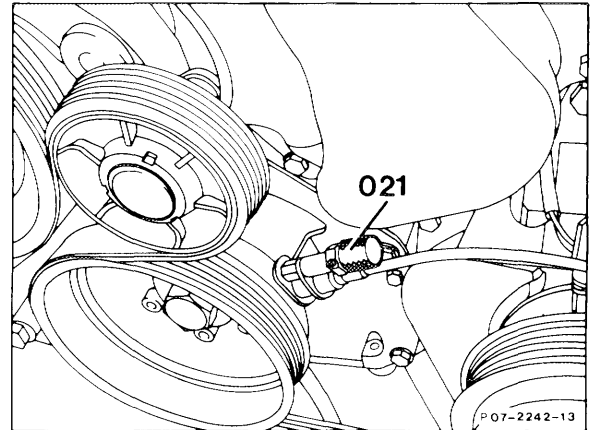


P07-2240-13

2 Turn RIV sensor (017) into governor (injection pump).



3 Turn TDC pulse generator (021) into bracket (engine).



4 Connect digital tester according to connection diagram.

5 Engine idling. Read RIV value (indirect start of delivery) off digital tester at idle speed.

RI set value: $15^{\circ} \pm 1^{\circ}$ ATDC.

6 Switch off engine.

7 Disconnect digital tester.

8 Install screw plug in governor (tightening torque 30-35 Nm).

9 Carry out leak test with engine running.

10 Check engine oil level and correct, if required.