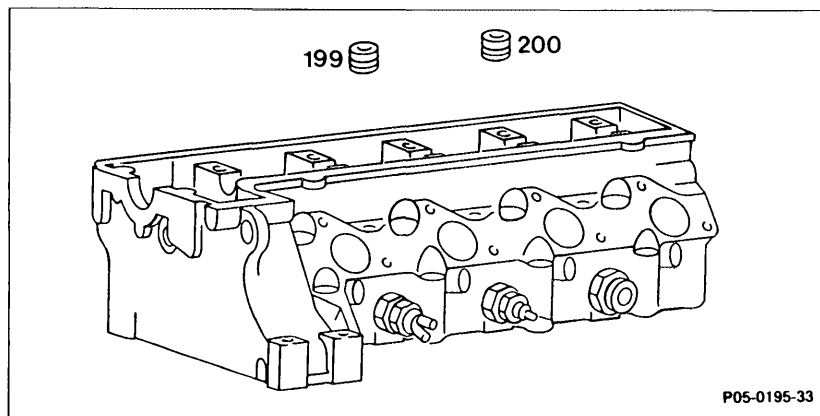


05-270 Replacing of valve stem seals

Preceding work:
Valve springs removed (05-250).



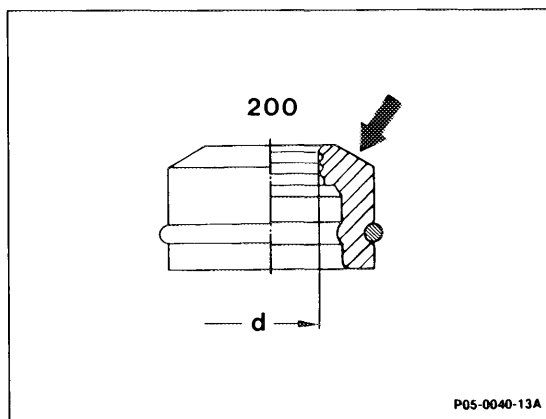
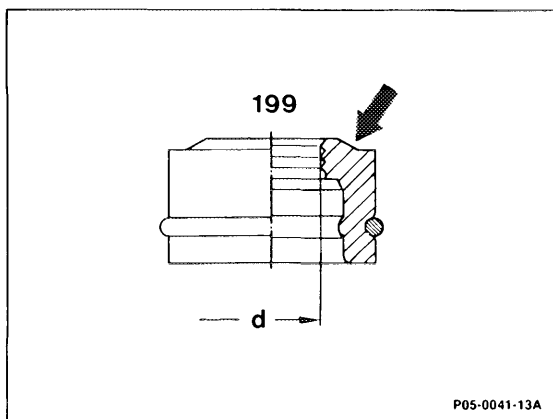
Valve stem seals (199, 200)	remove, install. Pliers 104 589 00 37 00, mandrel 601 589 02 43 00. Note color marking.
Valve stem	de-burr at groove.

Valve stem seal designs

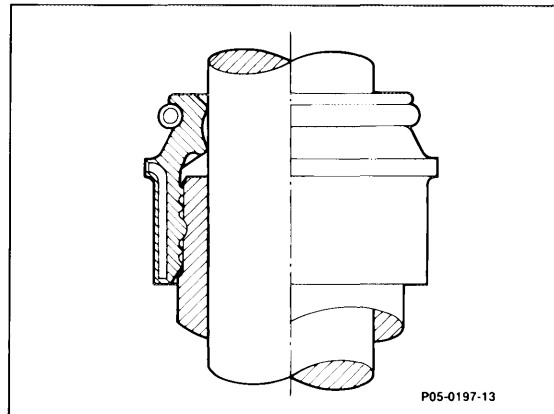
Distinguishing features:

Intake valve stem seal (199)
Chamfer (arrow) shouldered
 $d = 7.3 \text{ mm}$
Wire ring: phosphated (black)
Color: brown

Exhaust valve stem seal (200)
Chamfer (arrow) straight
 $d = 8.2 \text{ mm}$
Wire ring: bright galvanized (yellow)
Color: brown



Valve stem seals with standardized exterior dimensions are installed due to automatic cylinder head assembly.



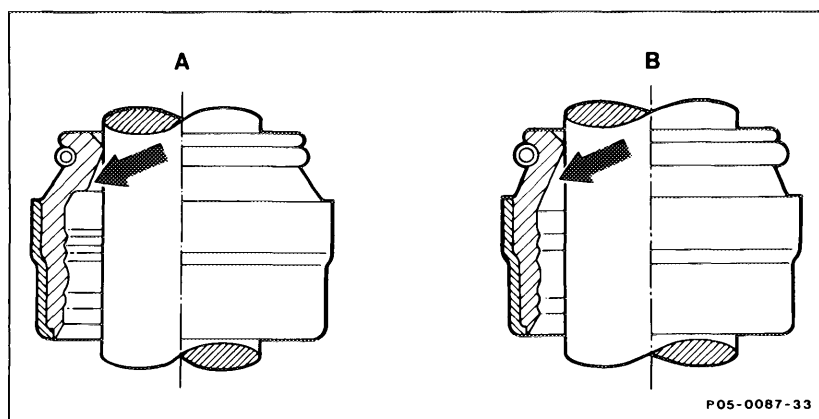
Production breakpoint: 11/85

Model	Engine	Engine end No.		Vehicle identification end No.	
		Manual transmission	Automatic transmission	A	F
201.126	602.911	009492	002235	*	*

* not recorded

Inlet valve stem seals without gas lip have been fitted since 09/89 and exhaust valve stem seals without gas lip since 04/90.

Viton material



- A Intake valve stem seal
- B Exhaust valve stem seal

Production breakpoint: 09/89 (Inlet)

Model	Engine	Engine end No.		Vehicle identification end No.	
		Manual transmission	Automatic transmission	A	F
124.128	602.962	000093	003020	*	*
124.133 124.193	603.960	-	023344	*	*
126.135	603.970	-	1)	*	*
201.126	602.911	083331	016477	*	*
201.128	602.961	000177	007086	*	*

1) from start of production
* not recorded

Produktion breakpoint: 04/90 (Exhaust)

Model	Engine	Engine end No.		Vehicle identification end No.	
		Manual transmission	Automatic transmission	A	F
124.128	602.962	003684	005147	*	*
124.133 124.193	603.960	–	026930	*	*
126.135	603.970	–	1)	*	*
201.126	602.911	090538	017538	*	*
201.128	602.961	002151	007954	*	*

1) from start of production

* not recorded

Special tools

