

01-310 Removal and installation of oil pan

A. Model 124, 126 and 201

Preliminary operations:

Bottom section of engine compartment noise capsule removed (01-006).

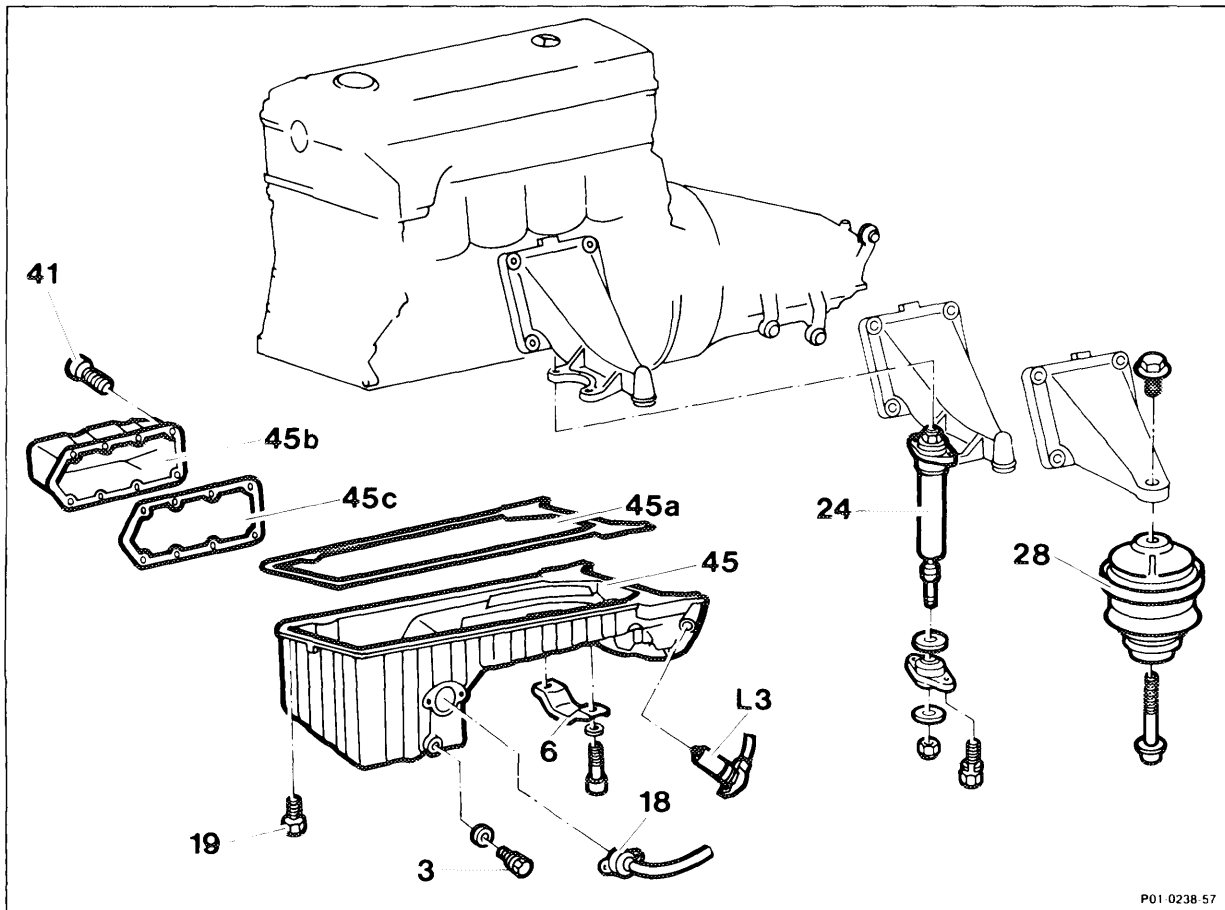
Model 124 and 201:

Torsion bar on front axle removed .

Models 124, 201, 126 and 201, 128:

Steer. rod, left and steer. shock absorber, right rem..

Fan cowl loosened.



Battery	disconnect negative cable, reconnect (item 1).
Engine oil	drain, fill (item 2).

Note

Tightening torque for oil drain plug (3) 25 or 30 Nm. Observe specified oil capacity.

Model 201 (up to 03/85):

Mount, engine stop (6) remove, install, 25 Nm (item 3).

Note

Check engine stop, adjust, 130 Nm (22-220),
adjustment gauge 201 589 04 23 00.

Model 201 (up to 03/85):

Engine shock absorber (24), left remove, install, 10 Nm (item 4).

Model 126:

Engine shock absorbers (24), left and right remove, install, 10 Nm (item 5).

Engine speed sensor (L3) and ground strap remove, reinstall (item 6).

Oil level sensor (18) disconnect plug, reconnect (item 7).

Automatic transmission

Oil lines between transmission and oil cooler or
transmission air/oil cooler, unbolt at oil pan,
install and remove at radiator, reinstall (item 8).

Note

Plug oil lines before removal, clamp
000 589 40 37 00.

Oil pan with attached side sections:

Oil pan side section (45b) remove, install (item 9).

Note

Replace gasket (45c) for oil pan side section.
Tightening torque for hex. head bolts (41)
10 Nm.

Front suspension eye on engine hook in engine hoist, unhook (item 10).

Front engine mounts (28), left and right remove Allen bolts from bottom, reinstall, 40
and 70 Nm (item 11).

Engine hoist with engine hoist, lower back on engine
mounts (item 12).

Hex. head bolts (19) remove from oil pan (45), reinstall (item 13).
M6 bolts 10 Nm,
M8 bolts 25 Nm.

Note

Observe different lengths of hex. head bolts.

Oil pan (45) remove from crankcase together with oil pan gasket (45a), install (item 14).

Note

Remove oil pan toward front of vehicle while turning crankshaft slightly if required. Clean gasket residues from parting surface of oil pan. Replace oil pan gasket (45a).

After installation warm up engine and check for leakage (item 16).

Oil capacities with oil dipstick code

(see "Service Product Specifications" for approved engine oils)

Engine	Model	Oil quantity for oil and filter change in liters	Color code Round handle	Color code Handle with bottle opener shape	Number code on handle (color red)
602.91	201	6,5 7 2)	- -	- green ²⁾	60214 ¹⁾ -
602.96	124, 201	7	-	green ³⁾	-
603.96	124	7,5	-	black	-
603.97	126	7,5	-	-	60316

1) 1st version color code "red"

2nd version color code "black"

3rd version color code "brown"

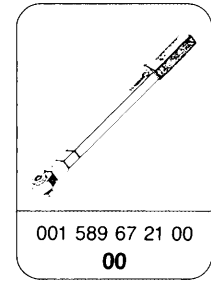
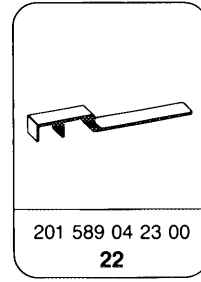
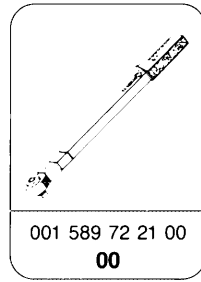
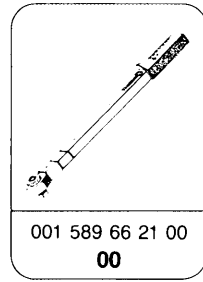
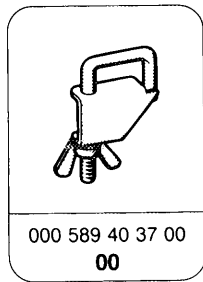
2) Only for engines with exhaust gas recirculation and side section on oil pan

3) 1st version color code "black"

Tightening torques

	Nm
Oil drain plug on oil pan	M 12 × 1,5 × 13 30
	M 14 × 1,5 × 22 25
Allen bolts, mount, engine stop, front	10
Adjustment bolt, engine stop, front	130
Hex. nuts, engine shock absorber	10
Hex. head bolts, engine shock absorber mount	10
Hex. head bolts, oil pan side section	10
Hex. head bolts, oil pan	M 6 10
	M 8 25
Allen bolt, engine mount, front	40
Allen bolt, engine mount, front, model 126	70

Special tools



Commercially available tool

Engine hoist no. 3188
(self-braking)

e.g. Bäcker
D-5630 Remscheid
Herderstraße

Removal, installation

- 1 Disconnect negative cable from battery.
- 2 Drain engine oil.

Installation note

Tightening torque for oil drain plug

M 12 × 1.5 × 13 30 Nm

M 14 × 1.5 × 22 25 Nm.

Observe specified oil capacity when filling engine.

Model 201 (up to 03/85):

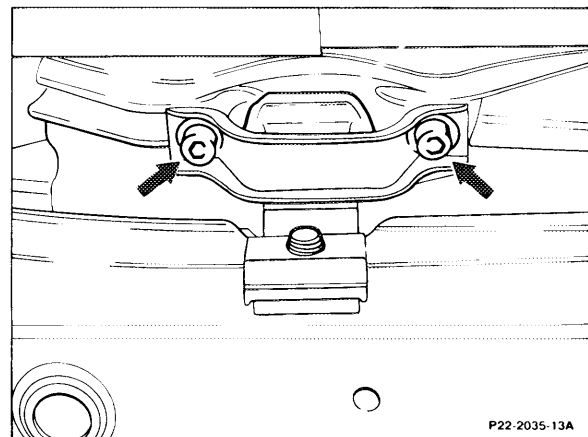
- 3 Remove Allen bolts (arrows) on mount for front engine stop and remove mount.

Installation note

Tightening torque 25 Nm.

Check engine stop with adjustment gauge
201 589 04 23 00 and adjust (22-220).

Tightening torque for adjustment bolt 130 Nm.

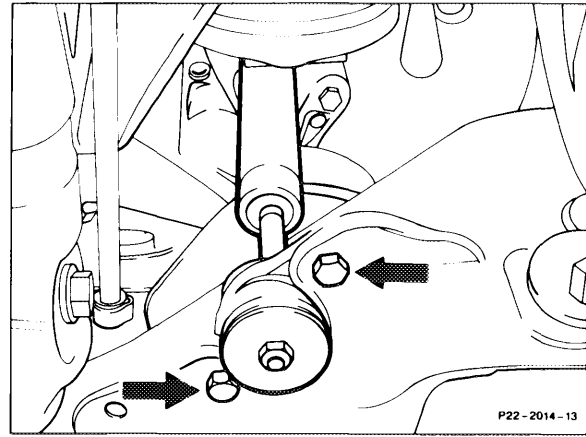


Model 201 (up to 03/85):

4 Remove engine shock absorber, left; remove hex. head bolts (arrow) on mount and remove engine shock absorber from frame cross member.

Installation note

Tightening torque 10 Nm.

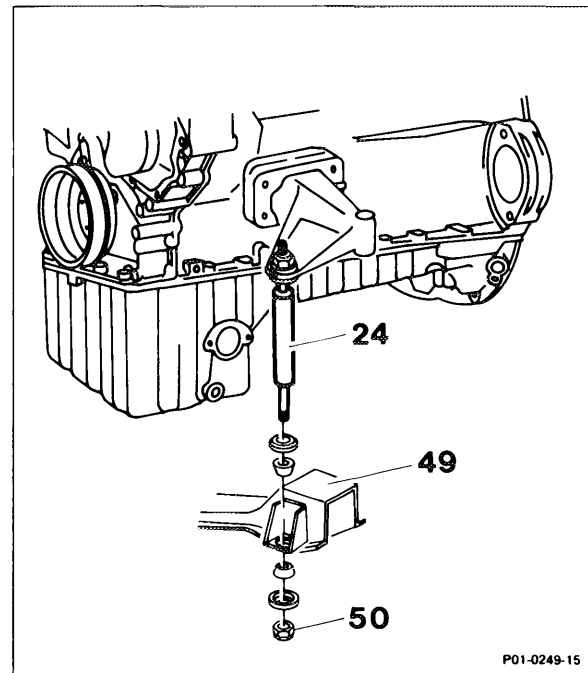


Model 126:

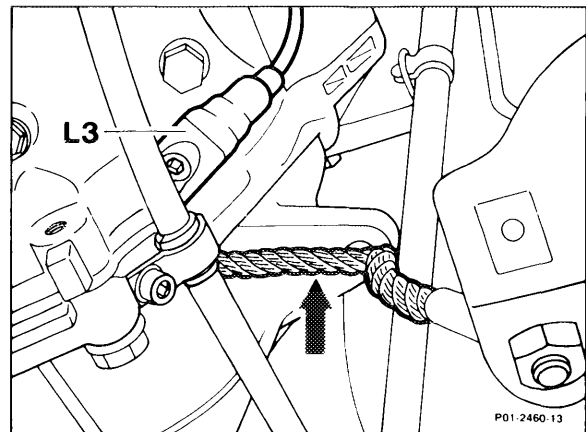
Remove engine shock absorbers (24), left and right; unscrew hex. nut (50) and press shock absorber upward out of mount on frame cross member (49).

Installation note

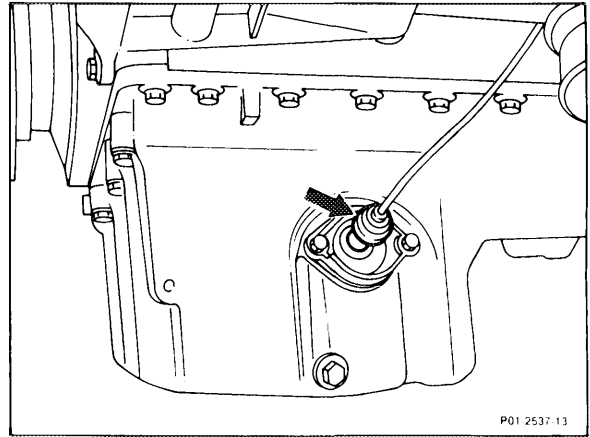
Tightening torque 10 Nm.



6 Unbolt engine speed sensor (L3) and ground strap for starter (arrow) on chassis.



7 Disconnect plug from oil level sensor (arrow).

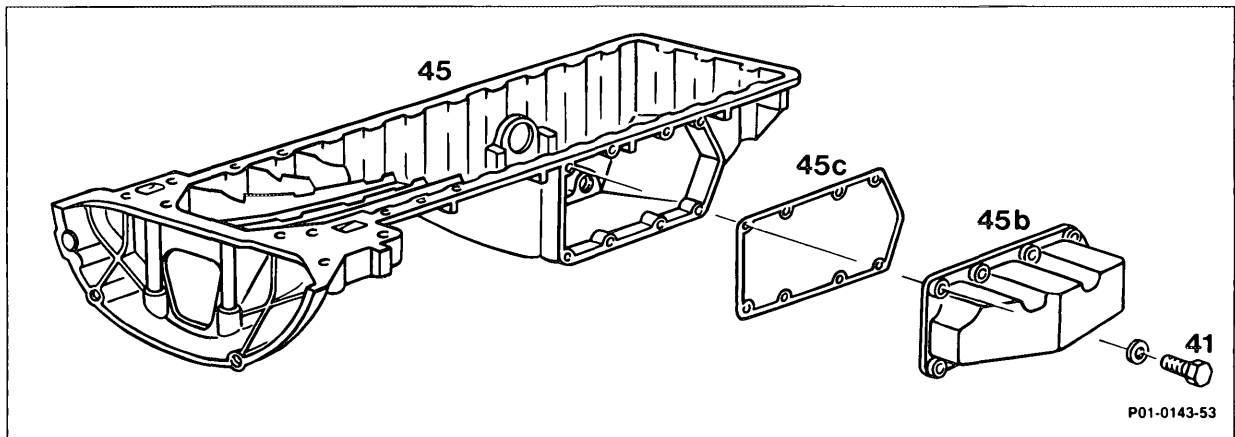
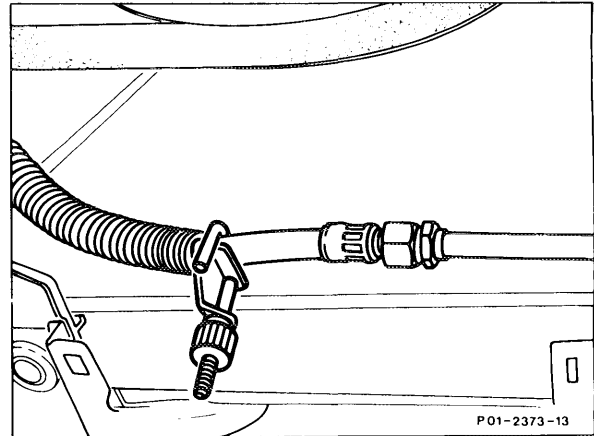


Vehicles with automatic transmission:

8 Clamp oil lines between transmission and oil cooler or transmission air/oil cooler, clamp 000 589 40 37 00, screw oil lines off of oil pan and radiator.

Installation note

Check transmission oil level, add if required.



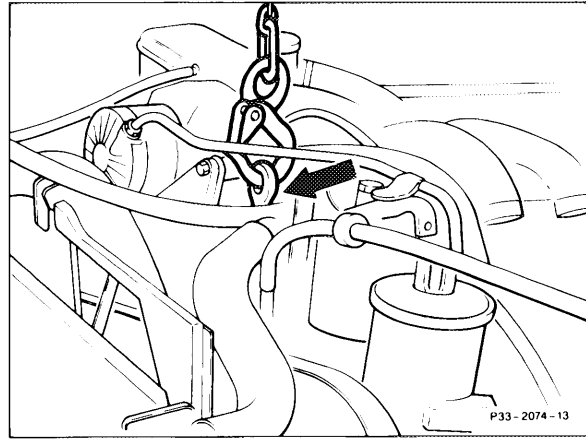
Oil pan with attached side section:

9 Remove hex. head bolts (41) and remove oil pan side section (45b) together with gasket (45c).

Installation note

Replace gasket (45c).
Tightening torque 10 Nm.

10 Attach engine hoist cable to front suspension eye on engine (arrow).

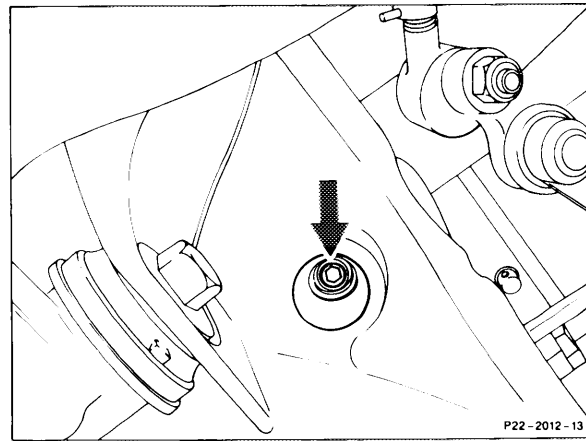


11 Remove Allen bolts for front engine mount from frame cross member from below.

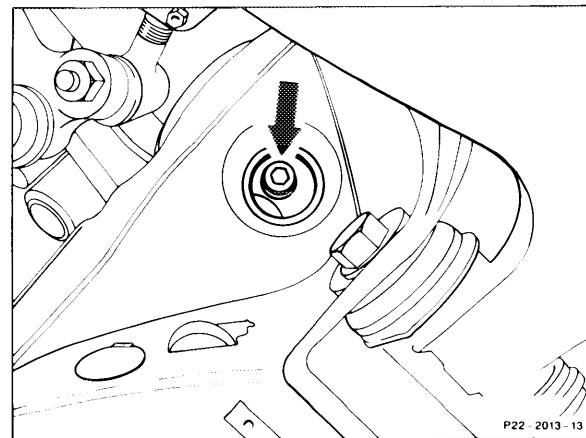
Installation note

Tightening torque
Model 124 and 201
Model 126

40 Nm
70 Nm.



Allen bolt, engine mount, left



Allen bolt, engine mount, right

12 Lift engine at front with engine hoist as far as possible.

13 Remove hex. head bolts (19) of oil pan (45).

Installation note

Observe different lengths of hex. head bolts.

Tightening torque M 6 10 Nm,
 M 8 25 Nm.

14 Remove oil pan (45) from crankcase together with oil pan gasket (45a); remove oil pan toward front of vehicle, turn crankshaft slightly if required.

Installation note

Clean gasket residues off of parting surface on oil pan. Replace oil pan gasket.

15 Assemble in opposite order.

16 After assembly warm up engine and check oil pan for leakage.

