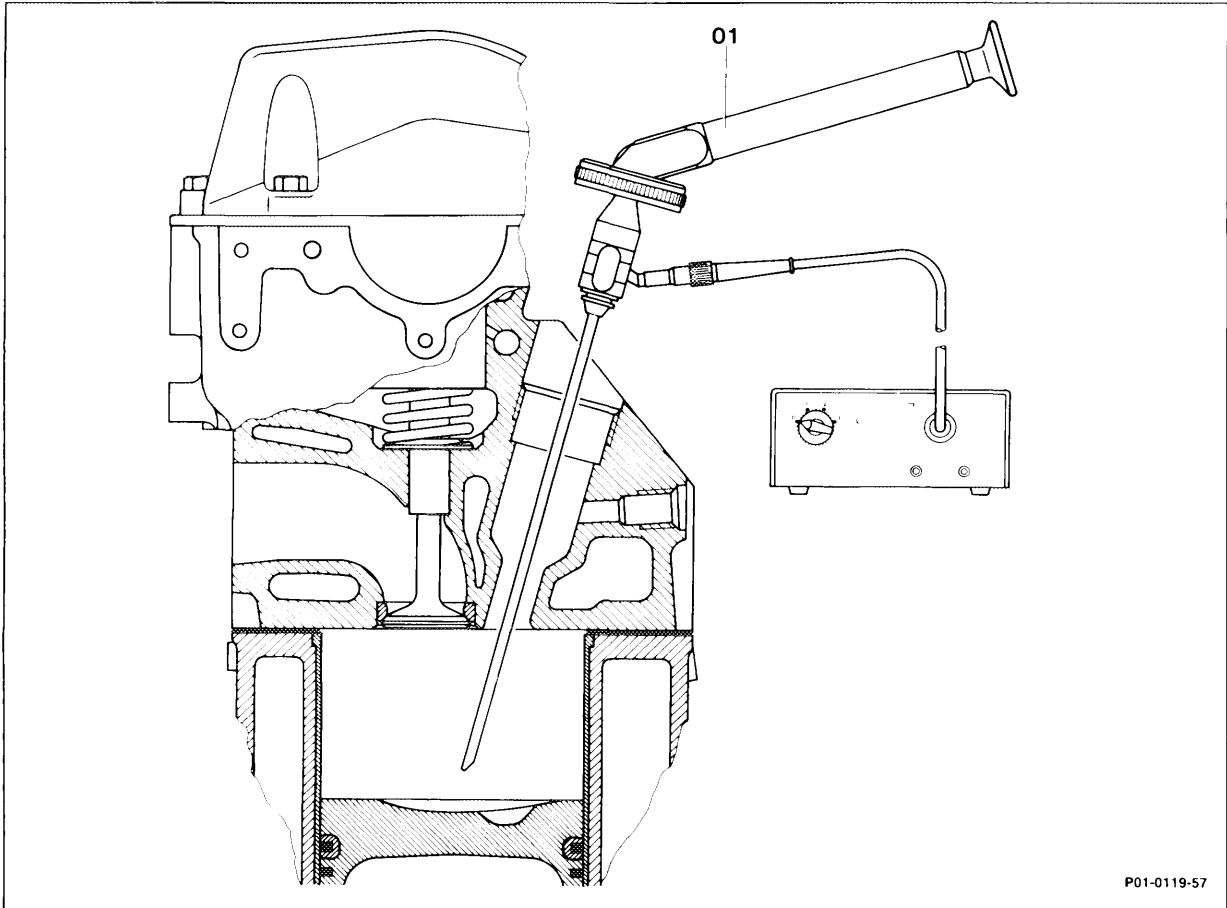


## 01-020 Evaluating cylinder bores

Preliminary operations:  
Prechambers removed



- Piston ..... in cylinder to be tested, move to bottom dead center.
- Cylinder ..... illuminate cylinder with illumination unit and check visually for damage; for this purpose insert the probe (01) of the illumination unit through the precombustion chamber bore into the cylinder.

### Note

When inspecting differentiate between "Optical stripes" and "Scoring". "**Optical stripes**" can result from the ring gap. If honing marks are still visible, the engine is okay. "**Scoring marks**" honing marks no longer visible, repair engine.

**Commercially available tool**

---

Cylinder illumination unit

e. g. Karl Storz GmbH,  
D-7200 Tuttlingen  
Motoskop TW (cold light)  
with lens probes  
103 26 CW (570 mm) and  
103 26 CT (210 mm)

---