

01-008 Opening hood, setting vertical, warnings

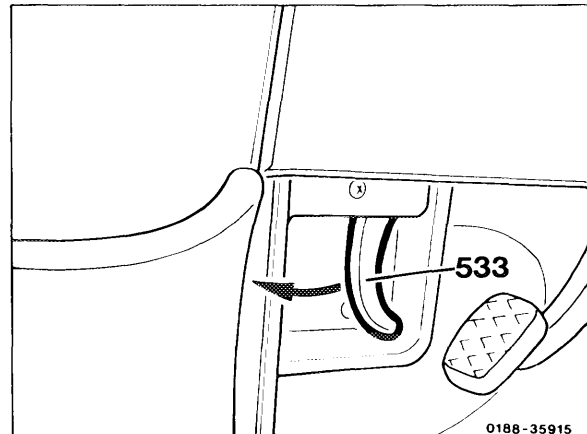
Warning

There is risk of injury whenever the engine is running and the hood is open.

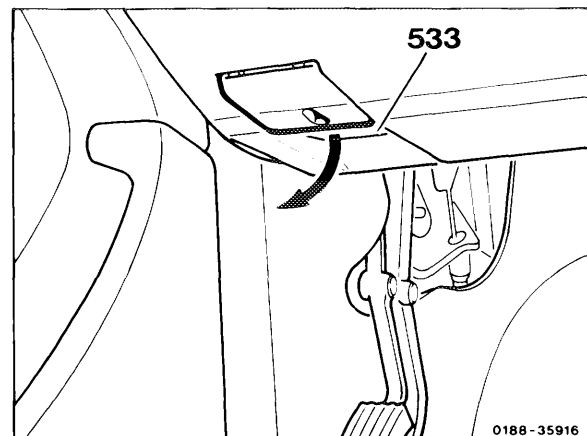
Opening hood

1 To unlock the hood, pull the lever (533) on the left below the instrument panel in the direction of the arrow. The hood opens to the safety hook stop.

Model 126

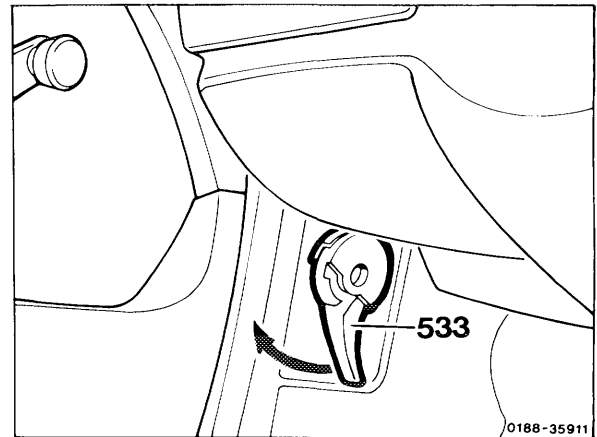


Model 124



- 2 Close hood by pushing down forcibly.

Model 201

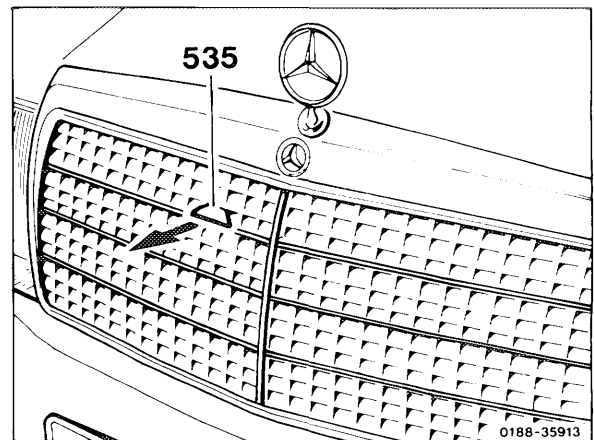


Model 124, 126, 201

- 3 Pull the handle (535) extending from the grille as far as the stop and open hood (it may be necessary to lift the hood slightly to release the handle).

Note

Do not attempt to lift the hood with handle (535). The windshield wiper arm must not be pivoted forward when the hood is lifted.



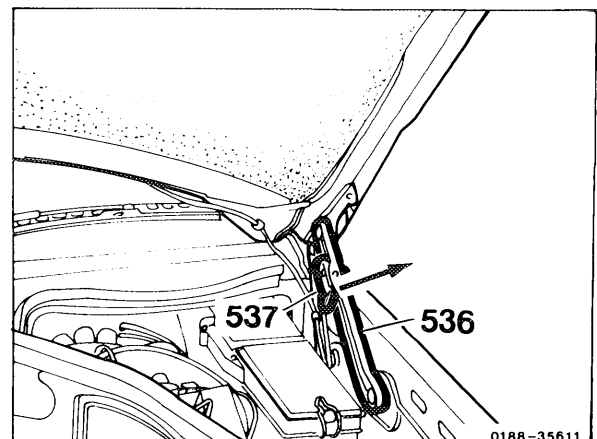
Moving hood into vertical position

Model 124 (production up to August 1988)

- 4 Push lock lever (537) on the left hood support (536) in direction of arrow. Lift hood slightly upward to keep the lock lever (537) from reengaging again.

Repeat the preceding at the right hood support and set the hood in a vertical position.

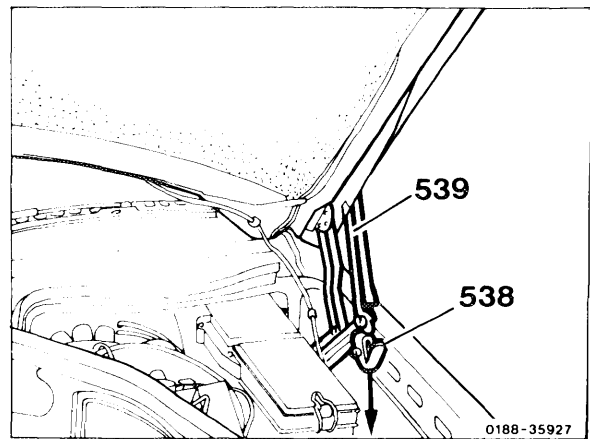
- 5 To close the hood, push in lock lever at the right hood support, and close the hood by pushing down forcibly.



Model 126

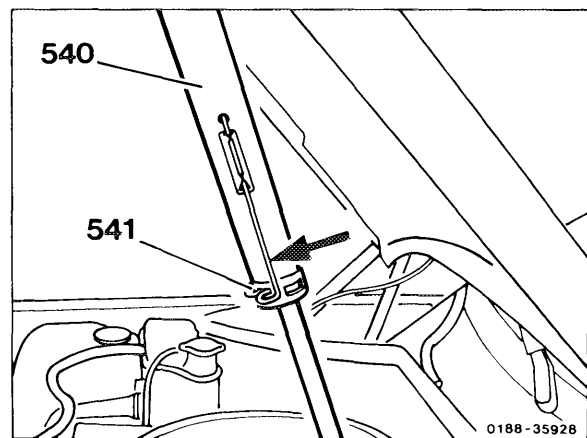
6 Push hood down slightly. Push lock lever (538) on the left hood support (539) down in the direction of the arrow. Push hood up slightly to keep the lock lever (538) from reengaging. Repeat the preceding at the right hood support and set the hood in a vertical position.

7 To close the hood, push the lock lever (538) at the left hood support in the direction of the arrow, and close the hood by pushing down forcibly.



Model 201

8 Pull lock (541) on hood damper (540) in direction of arrow and set the hood in a vertical position.



9 When the hood is set vertical, a lock engages on the left hood support.

10 Close hood. Push in the lock lever (arrow) and close the hood by pushing down forcibly.

