

<b>Historic</b>	<b>965 589 00 01 00 Hand Held Tester (HHT)</b>	<b>00 / A</b>	
-----------------	--	---------------	--

**Model 124 (except with 103 engine) 129, 140, 163, 202, 208, 210**

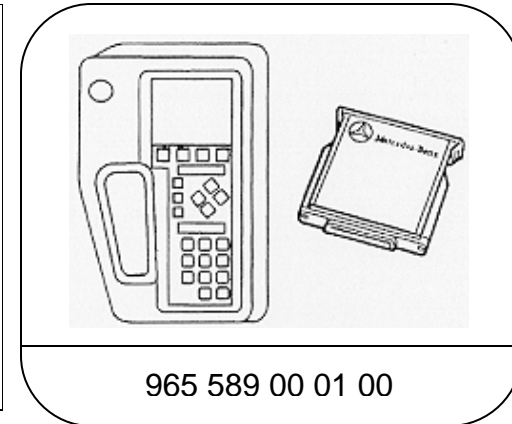
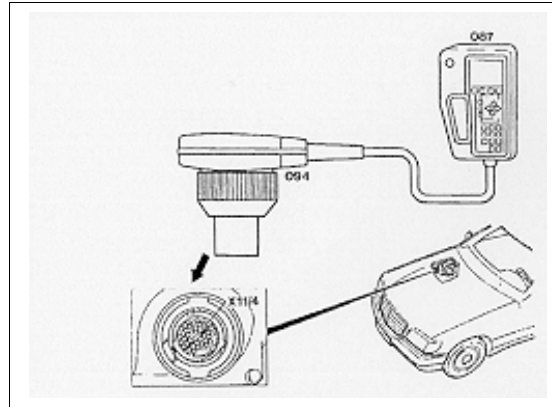
**Use/specification:**

Hand held tester for checking and diagnosing electronic systems.

**Note:**

- Each HHT has a unique serial number. When placing an order, please note that the PDC will contact MBNA Service Engineering to assign the specific serial number.
- A subscription for updateable modules will be entered automatically at the time of release.

(Ref: DCAG)



Repair support can be arranged directly with the company below:

**INT Informatik u. Nachrichtentechnik GmbH**  
**Gebhardstrasse 7**  
**88046 Friedrichshafen**  
**Germany**

**Phone: (011-49) 7541-28990-62**  
**Fax: (011-49) 7541-28990-61**  
**E-mail: < HHT@INT-group.de >**

<b>Historic</b>	<b>965 589 00 40 00 MUX Cable</b>	<b>00 / A</b>	
-----------------	-----------------------------------	---------------	--

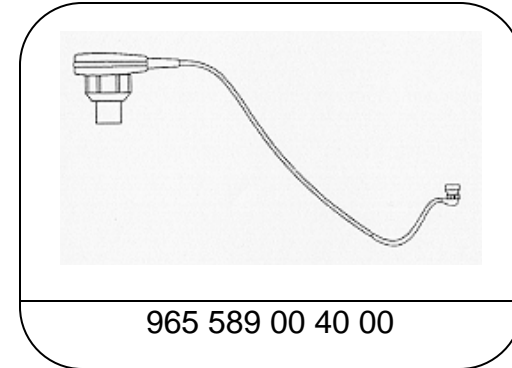
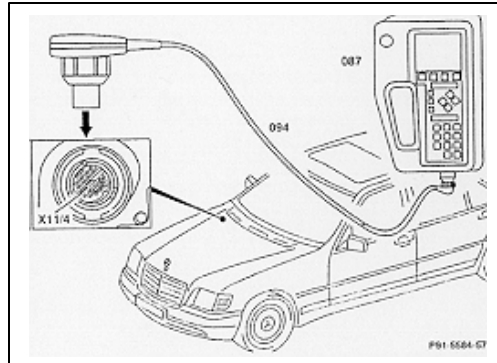
**Model 124 (except with 103 engine) 129, 140, 163, 202, 208, 210**

**Use/specification:**

Multiplex (MUX) cable used with Hand Held Tester.

Vehicle interface = 38-pole  
HHT interface = 19-pole

(Ref: DCAG)



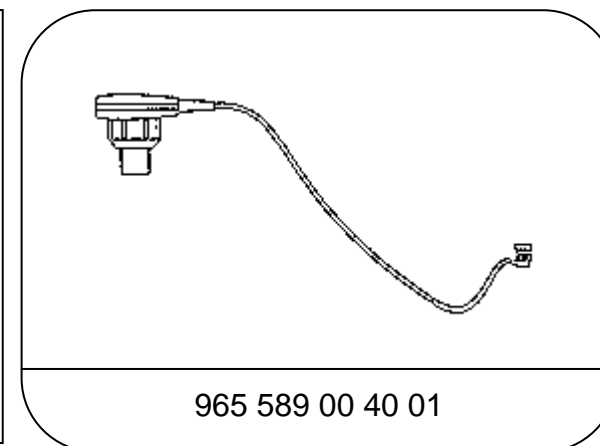
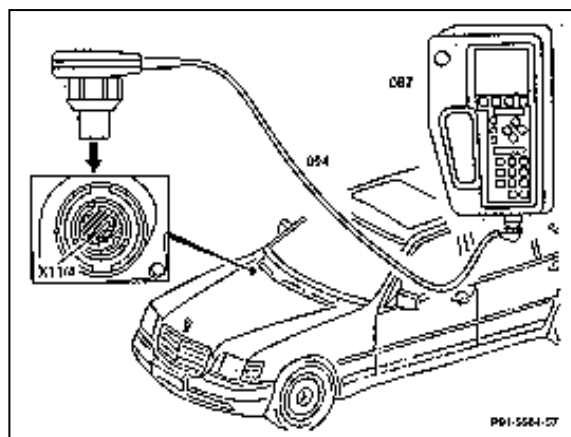
Historic	965 589 00 40 01 UMUX Cable (Upgrade/Remanufactured)	00 / B	
----------	--	--------	--

Model 124 (except with 103 engine) 129, 140, 163, 202, 208, 210

### Use/specification:

Upgraded and Remanufactured Multiplex (UMUX) cable used with the Hand-Held Tester. The release of this unit requires a suitable core unit be returned as part of the exchange.

(Ref: DCAG)



<b>Hlstric</b>	<b>965 589 00 50 00 Adapter Cable</b>	<b>00 / B</b>	
----------------	---------------------------------------	---------------	--

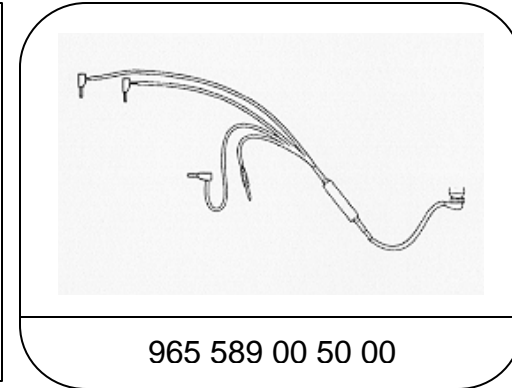
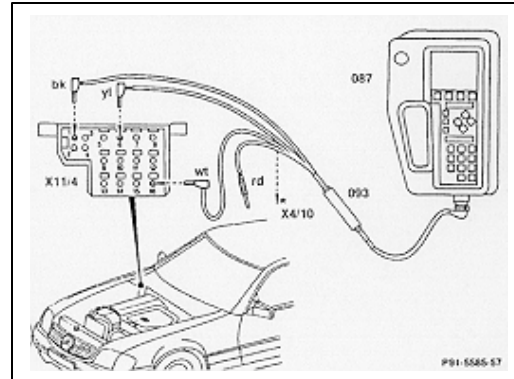
**Model 124 (except with 103 engine) 129, 140, 163, 202, 208, 210**

**Use/specification:**

Adapter cable used with Hand Held Tester.

Vehicle interface = 4-pole  
HHT interface = 19-pole

(Ref: DCAG)



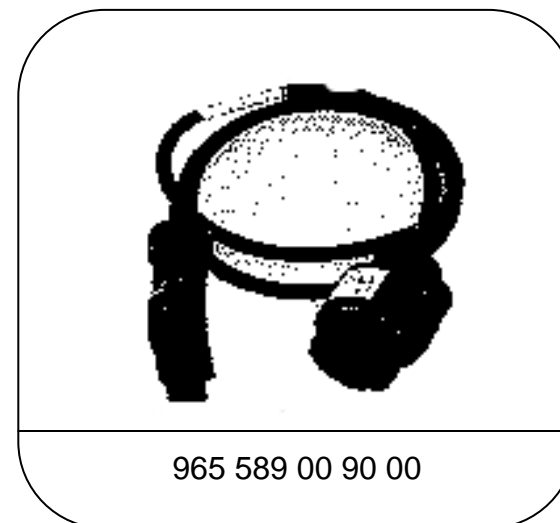
965 589 00 50 00

Historic	965 589 00 90 00 HHT/SAE Cable	00 / B	
----------	--------------------------------	--------	--

**Model** All with 16-Pole SAE Plug in Footwell Area

**Use/specification:**

Adapter cable to connect to the underdash  
16-pole diagnostic plug.



(Ref: DCAG)

	<b>965 589 00 60 00 Drive Cable</b>	<b>00 / B</b>	
--	-------------------------------------	---------------	--

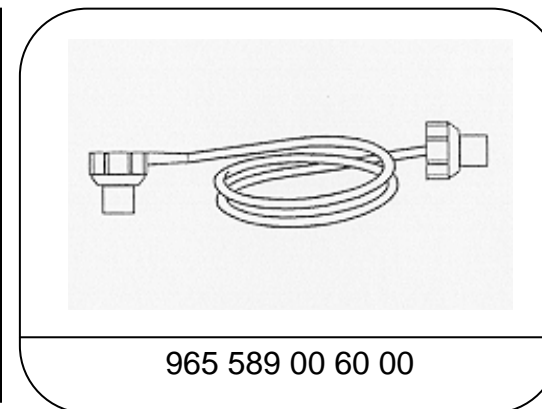
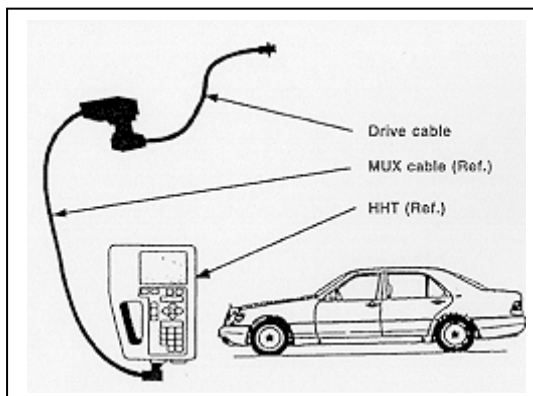
**Model 124 (except with 103 engine) 129, 140, 163, 202, 208, 210**

**Use/specification:**

Drive cable to allow use of HHT while driving.

- Extension cable adds approx. 2 m length.

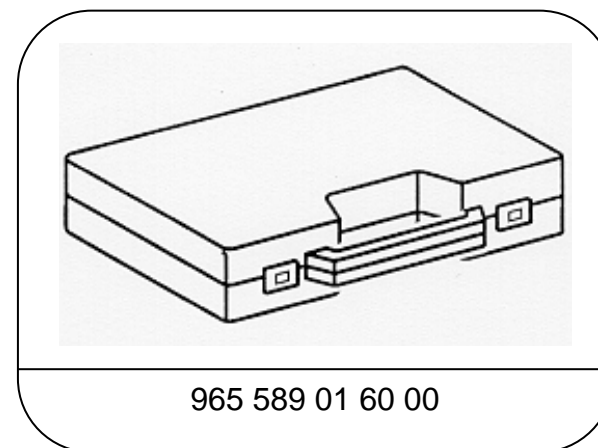
(Ref: DCAG)



Historic	965 589 01 60 00 Carrying Case, HHT	00 / B	
----------	-------------------------------------	--------	--

**Model All****Use/specification:**

Carrying case to hold the HHT components.



(Ref: DCAG)