

Historic	965 589 00 01 00 Hand Held Tester (HHT)	00 / A	
-----------------	--	---------------	--

Model 124 (except with 103 engine) 129, 140, 163, 202, 208, 210

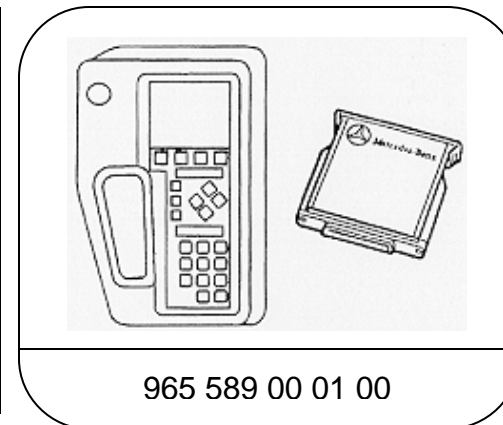
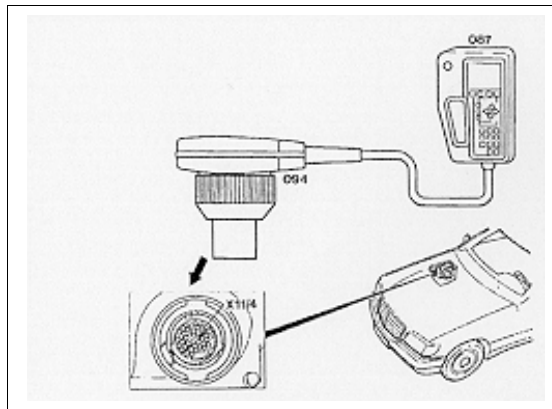
Use/specification:

Hand held tester for checking and diagnosing electronic systems.

Note:

- Each HHT has a unique serial number. When placing an order, please note that the PDC will contact MBNA Service Engineering to assign the specific serial number.
- A subscription for updateable modules will be entered automatically at the time of release.

(Ref: DCAG)



Repair support can be arranged directly with the company below:

INT Informatik u. Nachrichtentechnik GmbH
Gebhardstrasse 7
88046 Friedrichshafen
Germany

Phone: (011-49) 7541-28990-62
Fax: (011-49) 7541-28990-61
E-mail: < HHT@INT-group.de >

Historic	965 589 00 40 00 MUX Cable	00 / A	
-----------------	-----------------------------------	---------------	--

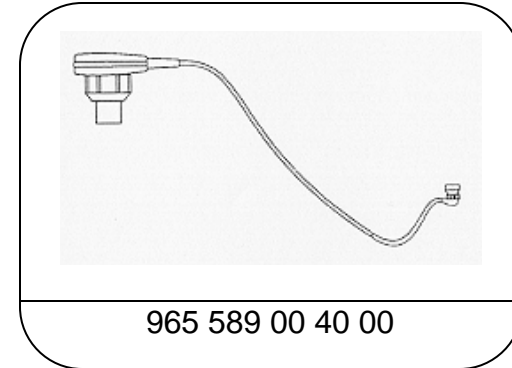
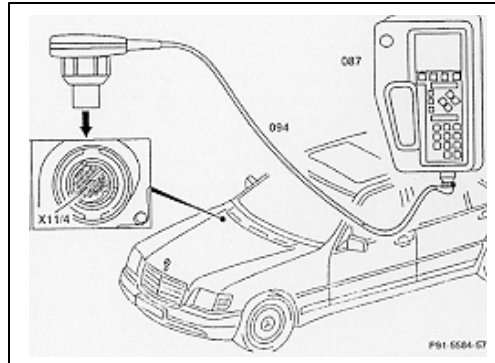
Model 124 (except with 103 engine) 129, 140, 163, 202, 208, 210

Use/specification:

Multiplex (MUX) cable used with Hand Held Tester.

Vehicle interface = 38-pole
HHT interface = 19-pole

(Ref: DCAG)



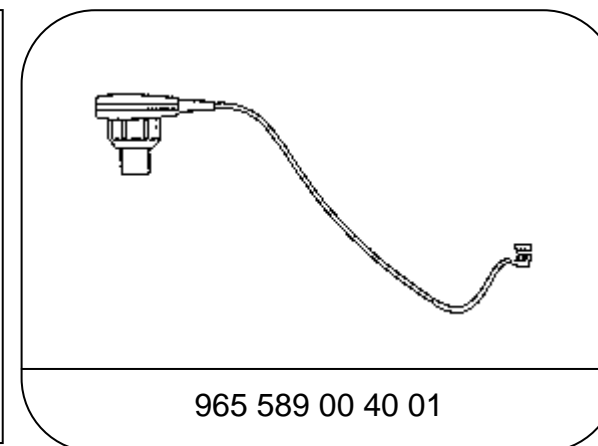
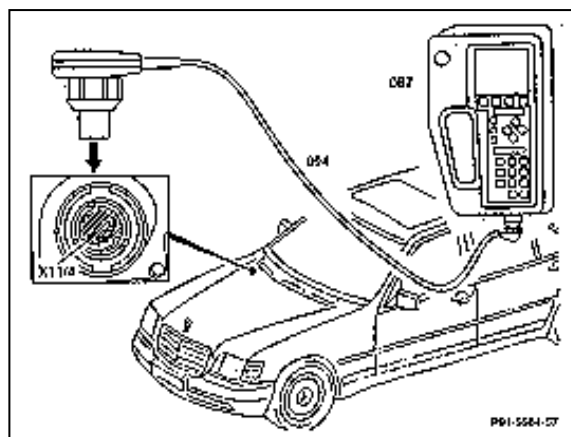
Historic	965 589 00 40 01 UMUX Cable (Upgrade/Remanufactured)	00 / B	
----------	--	--------	--

Model 124 (except with 103 engine) 129, 140, 163, 202, 208, 210

Use/specification:

Upgraded and Remanufactured Multiplex (UMUX) cable used with the Hand-Held Tester. The release of this unit requires a suitable core unit be returned as part of the exchange.

(Ref: DCAG)



Hlstric	965 589 00 50 00 Adapter Cable	00 / B	
----------------	---------------------------------------	---------------	--

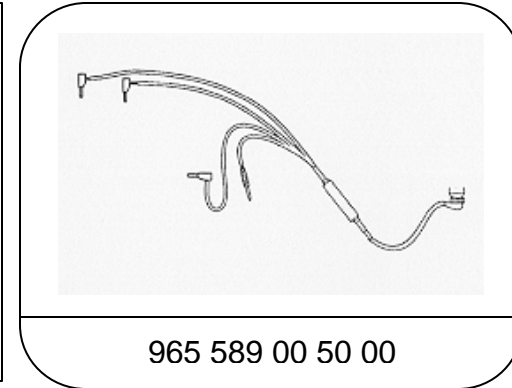
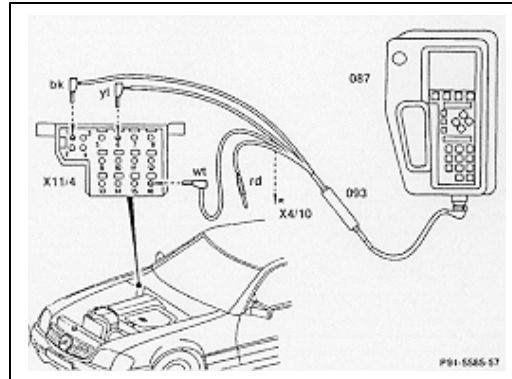
Model 124 (except with 103 engine) 129, 140, 163, 202, 208, 210

Use/specification:

Adapter cable used with Hand Held Tester.

Vehicle interface = 4-pole
HHT interface = 19-pole

(Ref: DCAG)



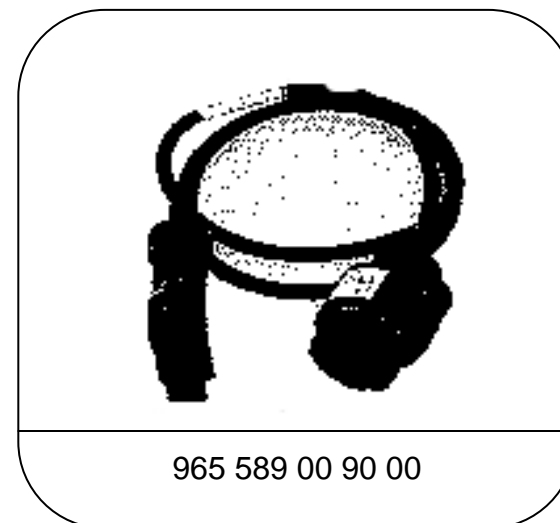
965 589 00 50 00

Historic	965 589 00 90 00 HHT/SAE Cable	00 / B	
----------	--------------------------------	--------	--

Model All with 16-Pole SAE Plug in Footwell Area

Use/specification:

Adapter cable to connect to the underdash
16-pole diagnostic plug.



(Ref: DCAG)

	965 589 00 60 00 Drive Cable	00 / B	
--	-------------------------------------	---------------	--

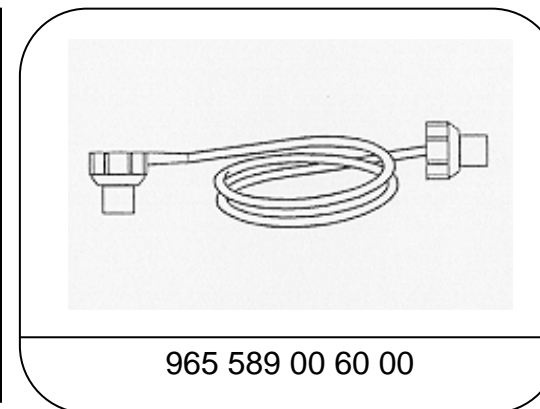
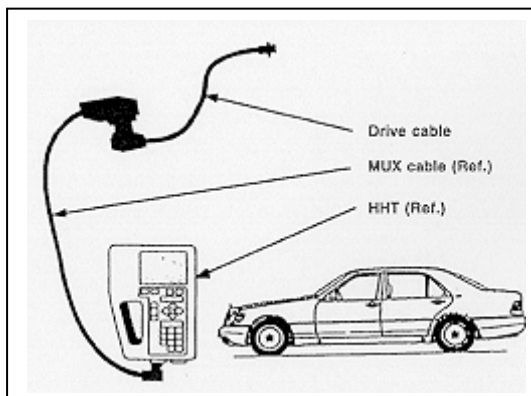
Model 124 (except with 103 engine) 129, 140, 163, 202, 208, 210

Use/specification:

Drive cable to allow use of HHT while driving.

- Extension cable adds approx. 2 m length.

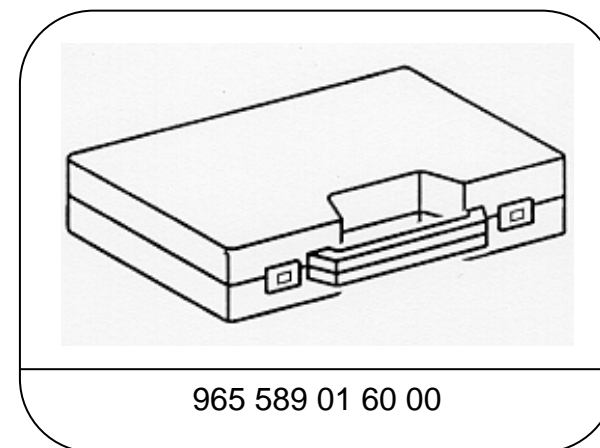
(Ref: DCAG)



Historic	965 589 01 60 00 Carrying Case, HHT	00 / B	
----------	-------------------------------------	--------	--

Model All**Use/specification:**

Carrying case to hold the HHT components.



(Ref: DCAG)