



Installation Instructions

Trim panels on model 124 as of 07/93

88.07

The trim panels in the ET scope of supply are primed and can be painted before installation to match the vehicle color in accordance with the brochure "Painting vehicle components" if the customer so wishes.

The installation instructions are divided up into the following sections:

1. Front spoiler/bumper
2. Side sills/sedan, T-sedan
3. Side sills/coupé, cabriolet
4. Rear apron/bumper
5. Information on paint
6. Information for ordering replacement parts

Note

In the Federal Republic of Germany the conversion must be accepted by a technical authority for motor vehicles and be entered into the vehicle documents.

**1. Front spoiler/bumper/sedan,
T-sedan, coupé, cabriolet**

- A. Preparation
- B. Assembly
- C. Matching, final assembly
- D. Special notes

2. Side sills/sedan, T-sedan

- A. Preparation
- B. Final assembly

3. Side sills/coupé/cabriolet

- A. Preparation
- B. Final assembly

**4. Rear apron/bumper/sedan,
T-sedan, coupé, cabriolet**

- A. Preparation
- B. Assembly
- C. Matching, final assembly
- D. Special notes

5. Information on painting

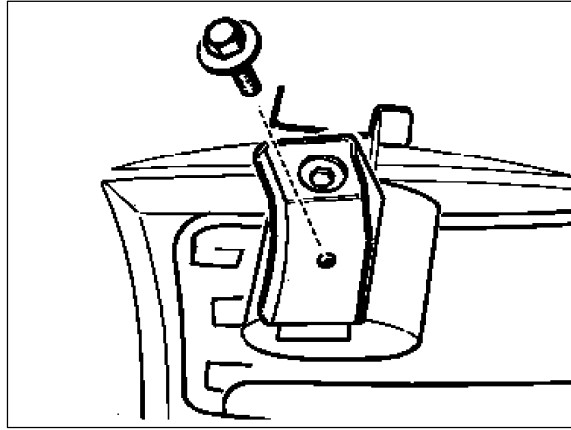
6. Information for ordering replacement parts

- A. Front spoiler/bumper/sedan,
T-sedan, coupé, cabriolet
- B. Side sills/sedan, T-sedan
- C. Side sills/coupé, cabriolet
- D. Rear apron/bumper/sedan,
coupé, cabriolet
- E. Rear apron/T-sedan

**1. Front spoiler/bumper
Sedan, T-sedan, coupé, cabriolet**

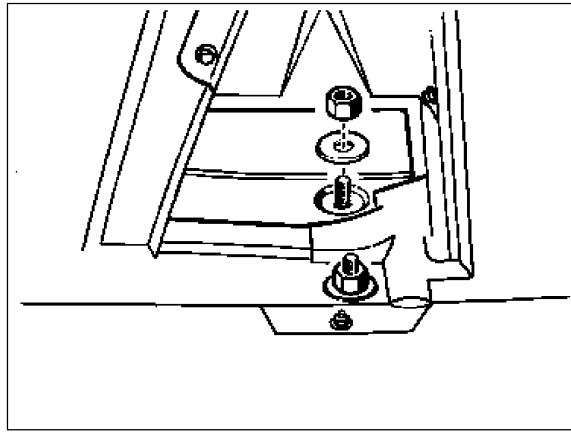
A. Preparation

1. Unbolt the production bumper.
- 1.1 Unscrew bolt in the left and right side brackets.



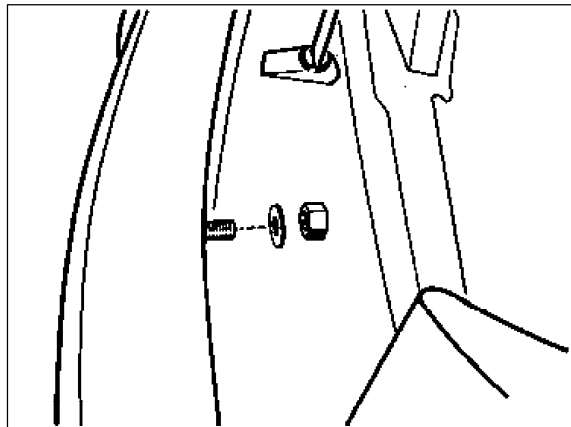
P88-5098-13

- 1.2 Unscrew both fixing nuts on the left and right of the side member and remove plain washers.



P88-5099-13

- 1.3 Unscrew fixing nut in the center of the bumper and remove plain washer.
- 1.4 Remove front bumper from the front.

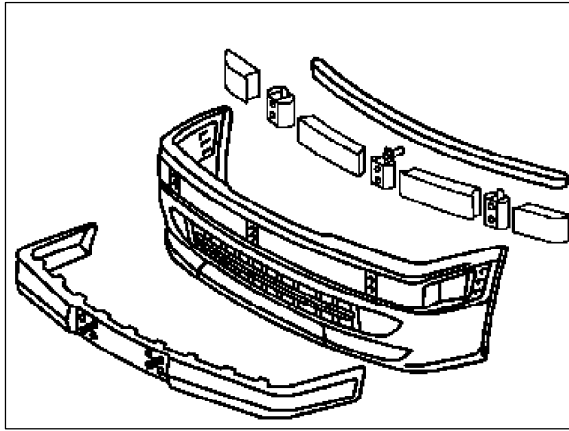


P88-5100-13

2. Dismantling the bumper.

2.1 Remove metallic impact absorbers.

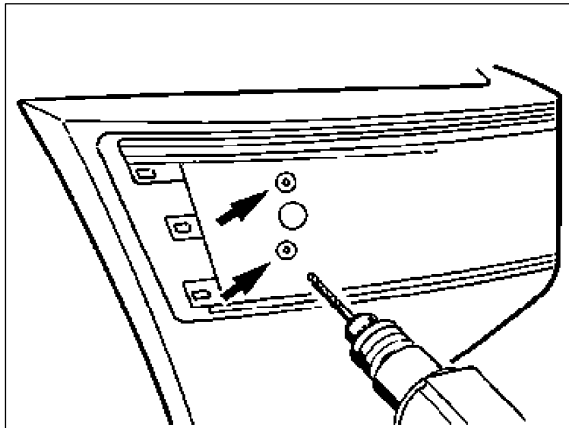
2.2 Detaching the outer protective strip; unscrew 3 recessed-head screws on the left and right. Press back retaining strips in pairs using a screwdriver, starting from the outside in each case. Remove protective strip.



P88-5342-13

2.3 Detaching the bracket:

Drill out rivets (arrows) in the side-mounted bracket. Unscrew the front three brackets.

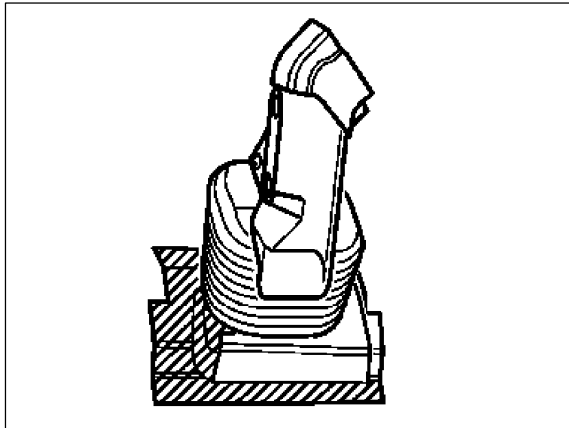


P88-5102-13

3. Trimming the air ducting parts.

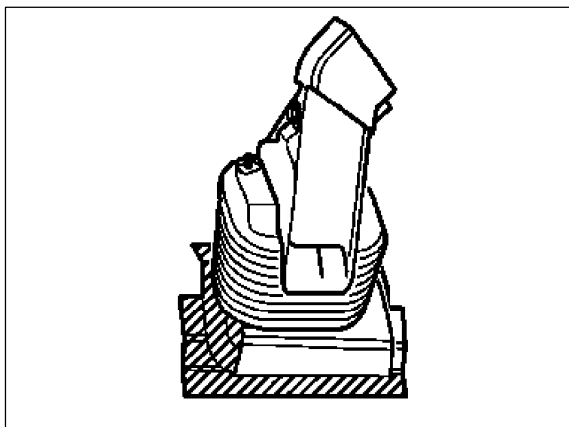
Depending on the vehicle model, the existing air ducts must be trimmed in accordance with the sketches shown.

Engine mount cooler, right.

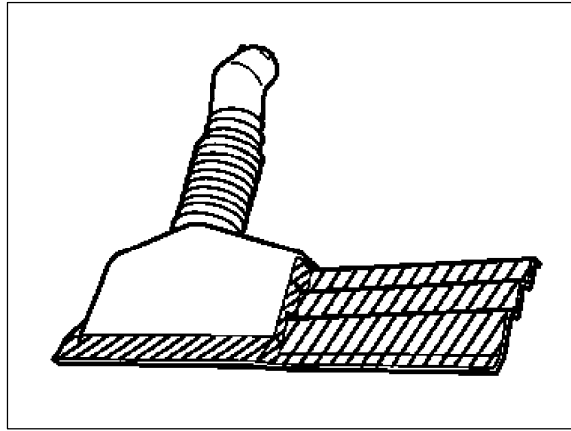


P88-5372-13

Engine mount cooling, right

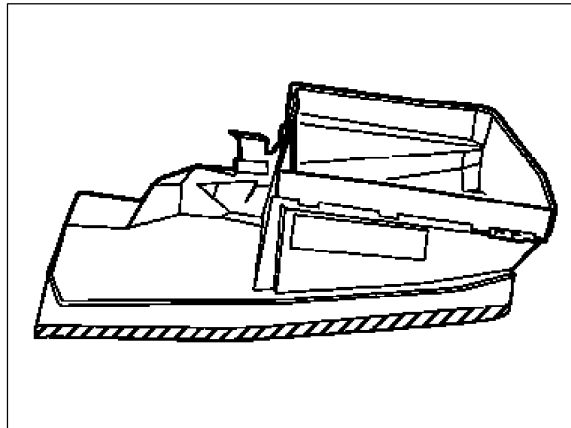


P88-5371-13



P88-5373-13

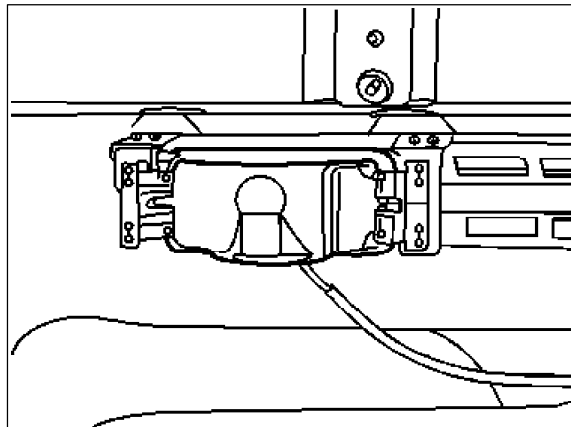
Oil cooler



P88-5374-13

B. Assembly

1. Assembling the auxiliary headlamps
 - 1.1 Install auxiliary headlamps in the holes provided and rivet on with the rivets supplied.

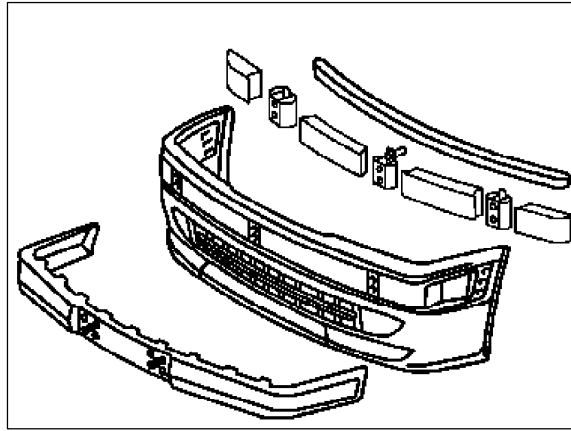


P88-5352-13

2. Screw on the front three brackets. Screw on the side brackets using hexagon bolts, U-washers and hexagon nuts supplied.

3. Attaching the outer protective strip:
Press protective strip into the retaining slots. Screw in three bolts on the left and right.

4. Installing the metallic impact absorbers.
Slide stiffening supplied between the production core and upper edge of front spoiler/bumper.

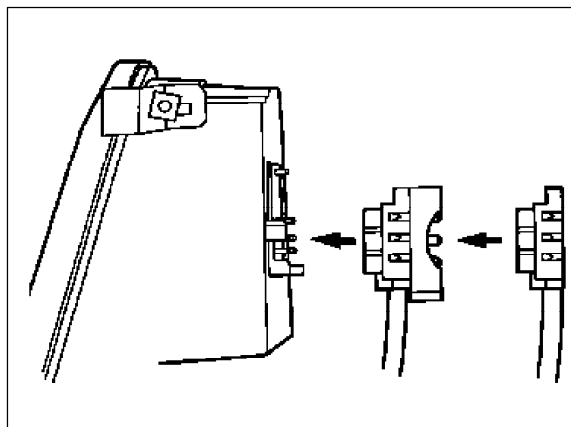


P88-5342-13

C. Matching and final assembly

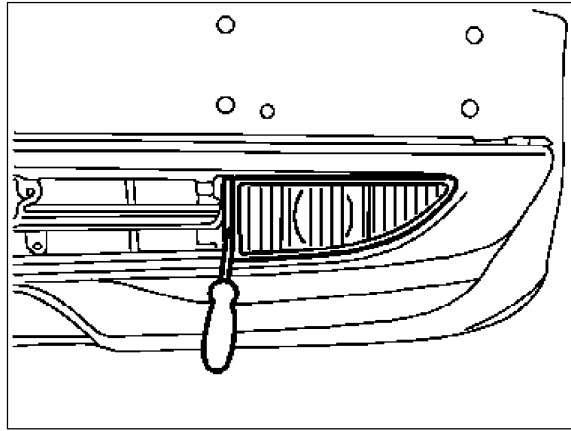
1. Screw the assembled front spoiler/bumper loosely on to the original fixing points.
2. Visual inspection: Align front spoiler/bumper, if required.
3. Tighten fixing bolts.
4. Route all cables to avoid any chafing (secure cable using clips and cable ties supplied).

5. Connecting the headlamps:
Press the 6-pin plug-socket combination between the 6-pin socket and the 6-pin plug on the headlamp. Plug headlamp cable into the 2-pin socket.



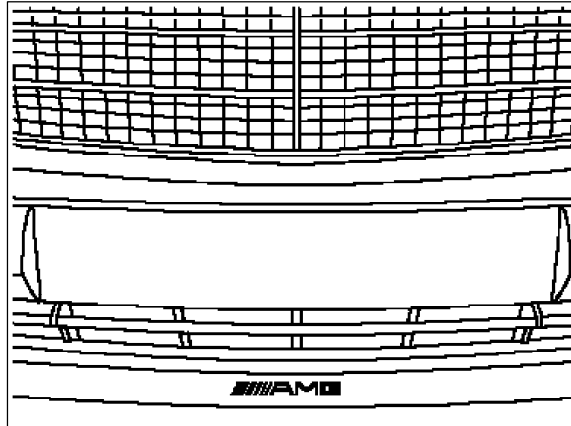
P82-5146-13

6. Adjusting the headlamps: Adjust the headlamps by turning the recessed-head threaded bolts.



P88-5347-13

7. Attach AMG emblem to front spoiler. Heat up AMG emblem and adhesive surface to 40°C (radiant heater, hairdryer). Mount AMG emblem in accordance with the drawing and press on.



P88-5336-13

D. Special notes

1. If an outside temperature sensor is fitted, this must be detached from the protective strip before dismantling the production bumper and be refitted after assembling the front spoiler/bumper.

2. Attaching chrome surrounds.

If required, the chrome surrounds can be retrofitted.

2.1 Transfer and drill holes from the standard production part to the AMG front spoiler.

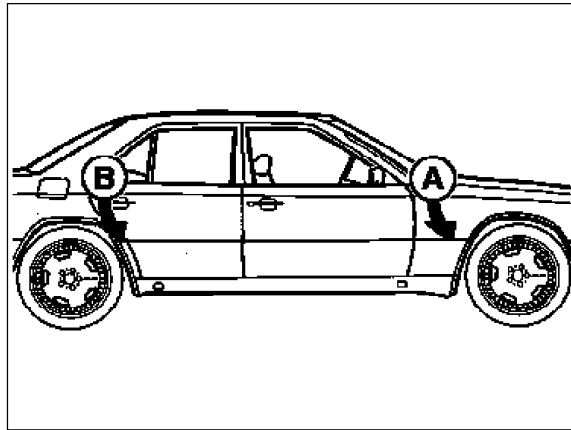
2.2 Mount chrome parts and secure with clips.

2.3 Modify stiffening part in the area of the clips.

2. Side sills/sedan, T-sedan

A. Preparation

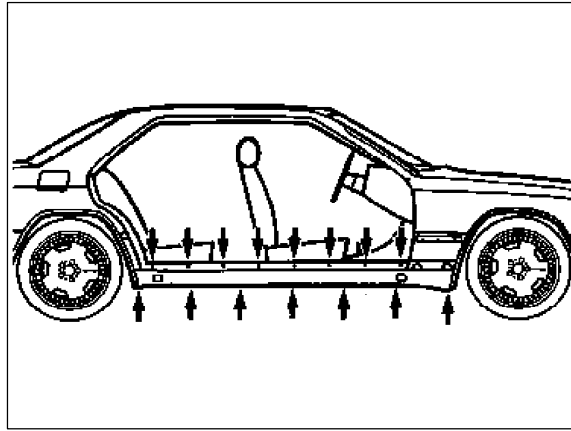
1. Carefully raise the protective side molding on front fender (A) and rear wheelhouse (B) using a suitable blunt tool and tug gently to detach it from the fixings.



P88-5019-13

2. Remove sealing rubber from original side sill.

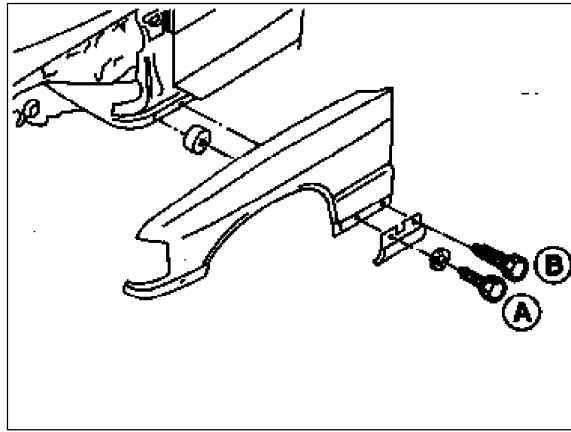
3. Unscrew fixing screws on the top and bottom of the production sill. Remove production sill.



P88-5023-13

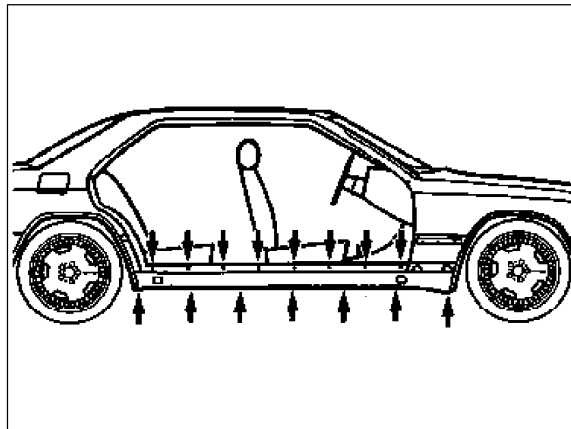
B. Final assembly

1. Adjust fender in the front sill area using expanding block supplied.



P88-5054-13

2. Attach AMG side sill to original fixing points.



P88-5023-13

3. Press sealing rubber into the AMG side sill.

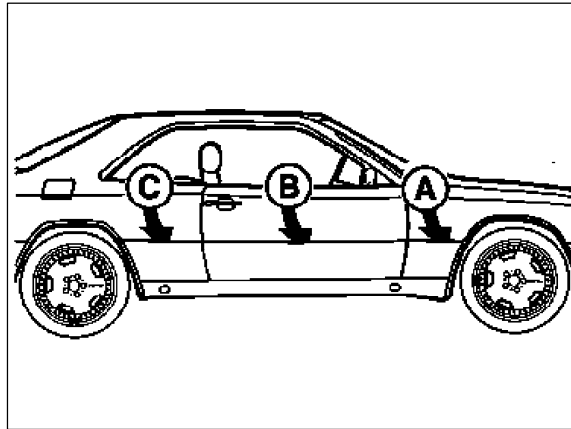
4. Re-attach front and rear protective side moldings in the fixings.

5. Attach cover in rear wheelhouse to the side sill.

3. Side sills/coupé/cabriolet

A. Preparation

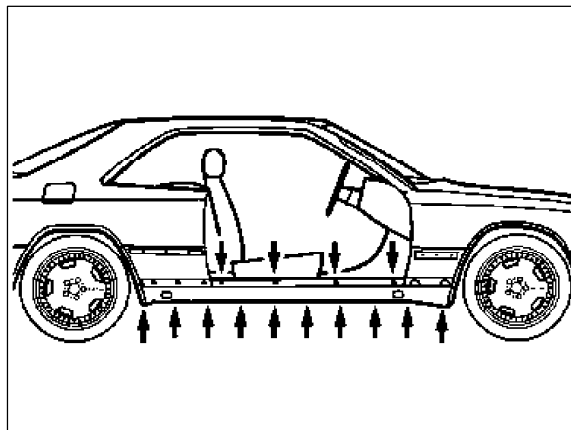
1. Carefully raise the protective side molding on front fender (A) and rear wheelhouse (C) using a suitable blunt tool and tug gently to detach it from the fixings.
2. Remove protective side molding (B) on the doors. Open doors. Unscrew fixing screw on protective side molding. Knock protective side molding gently backwards using blunt object to release it from the fixing. Remove protective side molding.



P88-5029-13

3. Lift off protective strip in the entry area.

4. Unscrew fixing screws at the top and the bottom of the production sill. Withdraw production sill from the clips by tugging gently. Withdraw clips from the fixing sleeves.

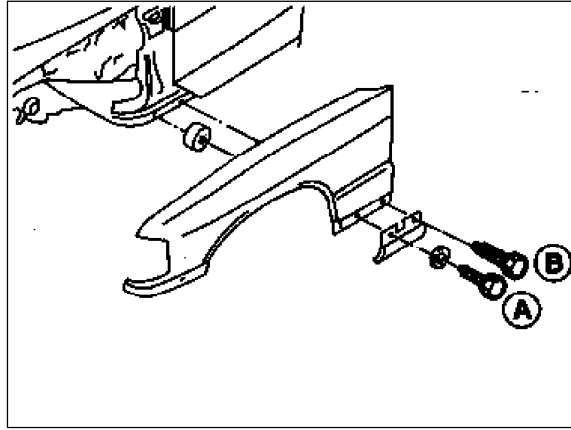


P88-5033-13

5. Press sealing rubber of production sill out of the retaining slots using a suitable tool.

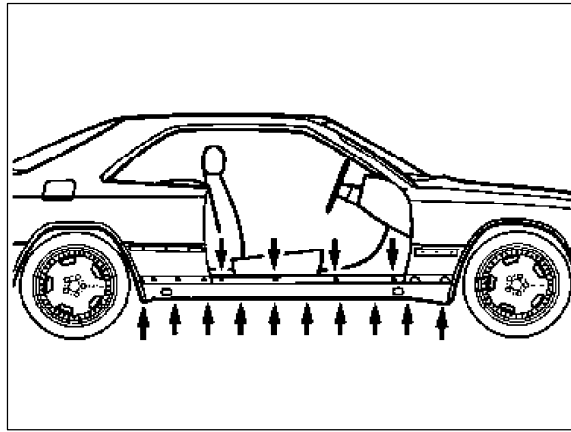
B. Final assembly

1. Adjust fender in the front sill area using spacer supplied.
2. Attach sealing rubber and one snap fastener at the front and rear of the AMG side sill.



P88-5054-13

3. Screw AMG side sill on to original fixing points.



P88-5033-13

4. Re-attach protective strip and protective side molding in the fixings.
5. Attach cover in rear wheelhouse to the side sill.

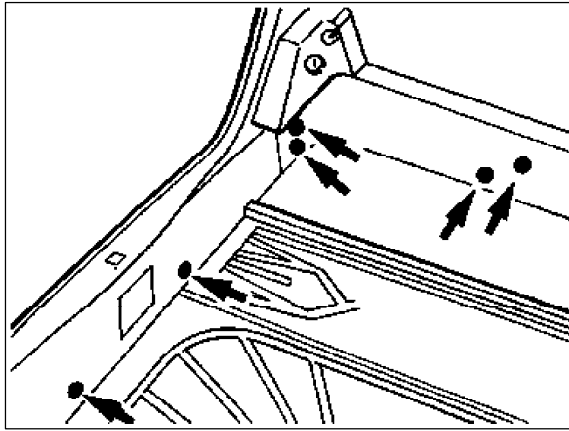
4. Rear apron Sedan, T-sedan, coupé, cabriolet

A. Preparation

1. Remove or open side trim.
2. Remove spare wheel (T-sedan).
3. Remove cover between bumper and wheelhouse.
4. Unscrew the production bumper, by unscrewing left and right fixing nuts on the side panel and on rear panel of the luggage compartment.

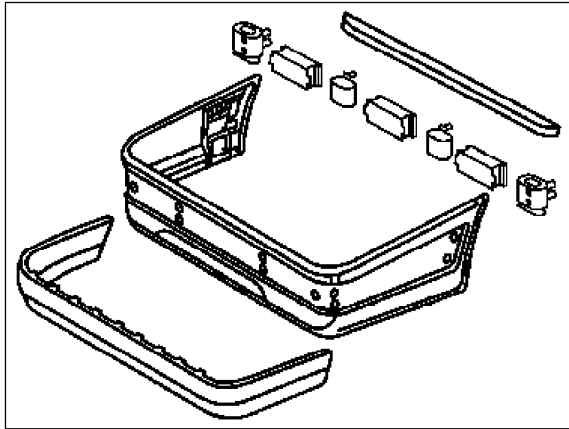
Caution!

Two people are required to remove the bumper to avoid damaging the paint.



P88-5097-13

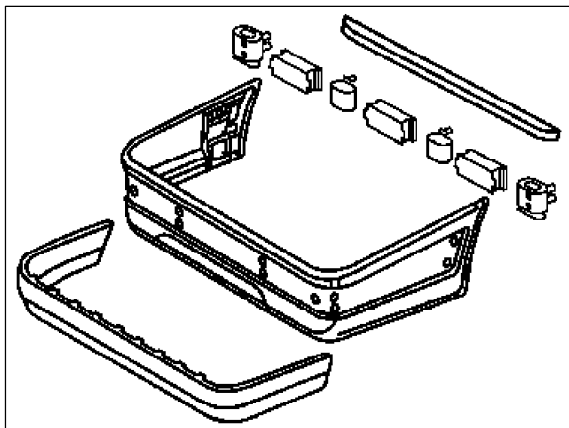
5. Dismantling bumper.
 - 5.1 Remove metallic impact absorber.
 - 5.2 Detaching outer protective strip. Unscrew 2 recessed-head screws on the left and right. Press back retaining strips in pairs using a screwdriver, starting from the outside. Remove protective strip.
 - 5.3 Detach bracket. Unscrew the center four brackets. Push out the two side brackets.



P88-5343-13

B. Assembly

1. Attaching the brackets. Screw on the four brackets in the correct position. Push the side brackets into the fixing.
2. Attaching the outer protective strip. Press protective strip into the retaining slots. Screw in three screws on the left and right.
3. Installing the metallic impact absorbers. Slide stiffening part supplied between the production core and upper edge of rear apron.



P88-5343-13

C. Matching and final assembly

1. Loosely attach the assembled rear apron to the original fixing points.
2. Carry out visual inspection and align rear apron, if required.
3. Tighten fixing screws.
4. Re-install trim panels and spare wheel (T-sedan).

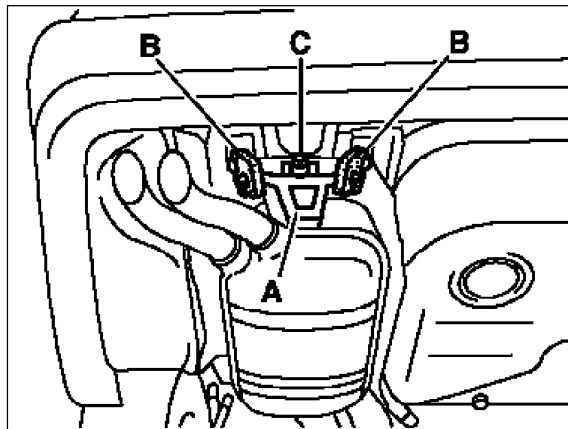
D. Special notes

1. Attaching chrome surrounds.
If required, the chrome surrounds can be retrofitted.
 - 1.1 Transfer and drill holes from the standard production part to the AMG rear apron.
 - 1.2 Mount chrome parts and secure with clips.
 - 1.3 Modify stiffening part in the area of the clips.

Caution

The upper edge of the MB standard production exhaust pipe should be at least 10 mm below the AMG rear apron on the sedan, coupé and cabriolet.

For this reason, with immediate effect, the long rubber rings (B) A129 492 00 82 (2x) and the long rubber buffer (C) A116 987 01 40 (1x) are to be used for the installation of the MB standard production rear muffler. If necessary, the bracket (A) on the MB standard production rear muffler can be moved upwards by approx. 5 mm.



P49-5117-13

5. Notes on painting

Refer to chapter

"Painting specifications and recommendations for repairing plastic parts"

6. Information for ordering replacement parts

The parts required for installation can be obtained under the following part numbers:

A. Front spoiler/bumper/sedan, T-sedan, coupé, cabriolet

Quantity	Designation	Part no.	Accessory no.
1	Front spoiler/bumper complete, comprising:	H WA124 880 08 40	(B6 602 0730)
1	Front spoiler/bumper without fixing material	H WA124 885 01 25	
2	Clip	A006 988 28 78	
1	Cover for front spoiler	H WA124 885 01 26	
4	Screw M6×16	B000 933 006 183	
4	Washer 6.0×20	B009 021 006 205	
4	Nut M6	B000 934 006 007	
1	Left headlamp	H WA140 820 01 56	
1	Right headlamp	H WA140 820 02 56	
2	Cable	H WA140 540 01 08	
1	Stiffening part	H WA124 885 01 37	
2	Cable straps	H WA001 997 04 90	
2	Clip	A003 988 88 78	
8	Rivet	H WA000 990 01 97	
2	Body-bound rivet	A000 990 34 92	
1	AMG emblem (logo)	H WA104 584 01 43	

B. Side sills/sedan, T-sedan

Quantity	Designation	Part no.	Accessory no.
1	Side sills complete comprising:	H WA124 690 14 40	(B6 602 0732)
1	Left side sill	H WA124 698 01 54	
1	Right side sill	H WA124 698 02 54	
4	Cover	H WA124 698 02 30	
2	Washer	H WA201 990 01 40	
2	Screw 6.3×32	B007 981 006 212	
2	Washer 6.0×20	B009 021 006 205	
1	Left cover	A124 698 07 30	
1	Right cover	A124 698 08 30	

C. Side sills/coupé, cabriolet

Quantity	Designation	Part no.	Accessory no.
1	Side sills complete comprising:	H WA124 690 02 40	(B6 602 0670)
1	Left side sill	H WA124 690 05 40	
1	Right side sill	H WA124 690 06 40	
4	Cover	H WA124 698 01 30	
2	Washer	H WA201 990 01 40	
2	Screw 6.3×32	B007 981 006 212	
2	Washer 6.0×20	B009 021 006 205	

D. Rear apron/bumper/sedan, coupé, cabriolet

Quantity	Designation	Part no.	Accessory no.
1	Rear apron/bumper complete comprising:	H WA124 880 09 40	(B6 602 0731)
1	Rear apron/bumper without fixing material	H WA124 885 02 25	
1	Left bracket	H WA124 885 09 14	
1	Right bracket	H WA124 885 10 14	
1	Stiffening part	H WA124 885 02 37	
2	Spoiler screw	B914 127 004 208	

E. Rear apron/bumper/T-sedan

Quantity	Designation	Part no.	Accessory no.
1	Rear apron/bumper complete comprising:	H WA124 880 02 40	(B6 602 0675)
1	Rear apron/bumper without fixing material	H WA124 880 04 40	