

07.1-0007 Key to code of injection pump type plate

A. Key to code

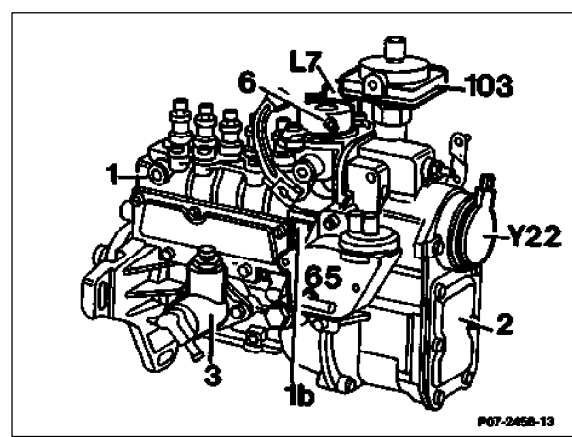
e. g.	PES 5 M 55 C 320 RS 158/1
P	P ump
E	S elf-driven
S	F ace flange mounting
5	N umber of cylinders
M	P ump size
55	E lement diameter in 1/10 mm
C	M odification code letter
320	I nstallation index
R	D irection of rotation
S158/1	S pecial version

RSF

R	G overnor
S	H elical spring
F	D rive control

B. Location of components on injection pump

- Location of components with ELR
- 1 Injection pump
 - 1b Type plate
 - 2 Governor
 - 3 Fuel pump
 - 6 Stop unit
 - 65 Vacuum control valve
 - 103 ALDA unit
 - Y22 ELR actuator
 - L7 Control rod travel sensor (connector not operational with cap closed)



- Location of components with ELR and ARA
- 1 Injection pump
 - 2 Governor
 - 3 Fuel pump
 - 6 Stop unit
 - 103 ALDA unit
 - L7 Control rod travel sensor, K
only, as of model year 1992
K √ basic version Code 62/0
 - Y22 ELR actuator
 - Y22/3 ARA actuator

