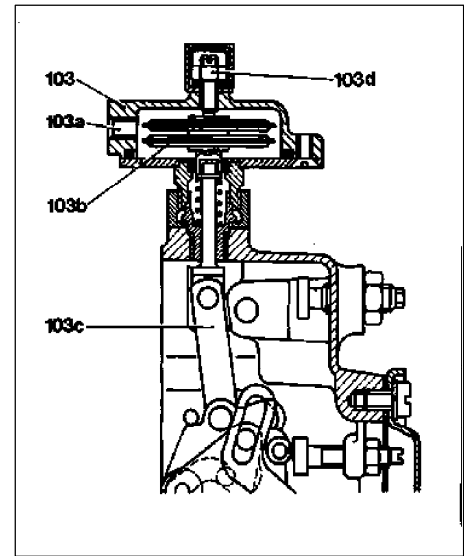


Revisions

26.8.98	Validity expanded		
---------	-------------------	--	--

- 1 Remove end cap (black) on ALDA unit (103).
- 2 Loosen counternut (103d).
- 3 Turn adjustment screw approx. 1/4 turn to left with screwdriver.
- 4 Tighten counternut (103d).
- 5 Reinstall end cap.



P07.11-0003-02